

BeagleBoard-xM Rev A2 System Reference Manual

Revision 0.1
July 7, 2010

THIS DOCUMENT

This work is licensed under the Creative Commons Attribution-Share Alike 3.0 Unported License. To view a copy of this license, visit <http://creativecommons.org/licenses/by-sa/3.0/> or send a letter to Creative Commons, 171 Second Street, Suite 300, San Francisco, California, 94105, USA.

All derivative works are to be attributed to Gerald Coley of BeagleBoard.org.

For more information, see <http://creativecommons.org/licenses/by-sa/3.0/>

For any questions, concerns, or issues submit them to gerald@BeagleBoard.org

BEAGLEBOARD DESIGN

These design materials referred to in this document are ***NOT SUPPORTED*** and **DO NOT** constitute a reference design. Only “community” support is allowed via resources at BeagleBoard.org/discuss.

THERE IS NO WARRANTY FOR THE DESIGN MATERIALS, TO THE EXTENT PERMITTED BY APPLICABLE LAW. EXCEPT WHEN OTHERWISE STATED IN WRITING THE COPYRIGHT HOLDERS AND/OR OTHER PARTIES PROVIDE THE DESIGN MATERIALS “AS IS” WITHOUT WARRANTY OF ANY KIND, EITHER EXPRESSED OR IMPLIED, INCLUDING, BUT NOT LIMITED TO, THE IMPLIED WARRANTIES OF MERCHANTABILITY AND FITNESS FOR A PARTICULAR PURPOSE. THE ENTIRE RISK AS TO THE QUALITY AND PERFORMANCE OF THE DESIGN MATERIALS IS WITH YOU. SHOULD THE DESIGN MATERIALS PROVE DEFECTIVE, YOU ASSUME THE COST OF ALL NECESSARY SERVICING, REPAIR OR CORRECTION.

We mean it; these design materials may be totally unsuitable for any purposes.

BeagleBoard.org provides the enclosed product(s) under the following conditions:

This evaluation board/kit is intended for use for **ENGINEERING DEVELOPMENT, DEMONSTRATION, OR EVALUATION PURPOSES ONLY** and is not considered by BeagleBoard.org to be a finished end-product fit for general consumer use. Persons handling the product(s) must have electronics training and observe good engineering practice standards. As such, the goods being provided are not intended to be complete in terms of required design-, marketing-, and/or manufacturing-related protective considerations, including product safety and environmental measures typically found in end products that incorporate such semiconductor components or circuit boards. This evaluation board/kit does not fall within the scope of the European Union directives regarding electromagnetic compatibility, restricted substances (RoHS), recycling (WEEE), FCC, CE or UL, and therefore may not meet the technical requirements of these directives or other related directives.

Should this evaluation board/kit not meet the specifications indicated in the User's Guide, the board/kit may be returned within 30 days from the date of delivery for a full refund. THE FOREGOING WARRANTY IS THE EXCLUSIVE WARRANTY MADE BY SELLER TO BUYER AND IS IN LIEU OF ALL OTHER WARRANTIES, EXPRESSED, IMPLIED, OR STATUTORY, INCLUDING ANY WARRANTY OF MERCHANTABILITY OR FITNESS FOR ANY PARTICULAR PURPOSE.

The user assumes all responsibility and liability for proper and safe handling of the goods. Further, the user indemnifies BeagleBoard.org from all claims arising from the handling or use of the goods. Due to the open construction of the product, it is the user's responsibility to take any and all appropriate precautions with regard to electrostatic discharge.

EXCEPT TO THE EXTENT OF THE INDEMNITY SET FORTH ABOVE, NEITHER PARTY SHALL BE LIABLE TO THE OTHER FOR ANY INDIRECT, SPECIAL, INCIDENTAL, OR CONSEQUENTIAL DAMAGES.

BeagleBoard.org currently deals with a variety of customers for products, and therefore our arrangement with the user **is not exclusive**. BeagleBoard.org assumes **no liability for applications assistance, customer product design, software performance, or infringement of patents or services described herein**.

Please read the User's Guide and, specifically, the Warnings and Restrictions notice in the User's Guide prior to handling the product. This notice contains important safety information about temperatures and voltages. For additional information on BeagleBoard.org environmental and/or safety programs, please contact visit BeagleBoard.org.

No license is granted under any patent right or other intellectual property right of BeagleBoard.org covering or relating to any machine, process, or combination in which such BeagleBoard.org products or services might be or are used.

Mailing Address:

BeagleBoard.org
675 North Glenville #195
Richardson, TX 75081

WARRANTY: *The BeagleBoard is warranted against defects in materials and workmanship for a period of 90 days from purchase. This warranty does not cover any problems occurring as a result of improper use, modifications, exposure to water, excessive voltages, abuse, or accidents. All boards will be returned via standard mail if an issue is found. If no issue is found or express return is needed, the customer will pay all shipping costs.*

Before returning the board, please visit BeagleBoard.org/support

Please refer to sections 12 and 13 of this document for the board checkout procedures and troubleshooting guides.

To return a defective board, please request an RMA at <http://beagleboard.org/support/rma> .

Table of Contents

FIGURES	9
TABLES	11
1.0 INTRODUCTION	13
2.0 CHANGE HISTORY	15
2.1 CHANGE HISTORY.....	15
2.2 REVISION C4 VS. -xM REVISION A2.....	15
2.2.1 <i>Hardware Changes</i>	15
2.2.2 <i>Software Changes</i>	16
3.0 DEFINITIONS AND REFERENCES	17
3.1 DEFINITIONS	17
4.0 BEAGLEBOARD OVERVIEW	17
4.1 BEAGLEBOARD VERSIONS.....	17
5.0 BEAGLEBOARD SPECIFICATION	19
5.1 BEAGLEBOARD FEATURES.....	19
5.2 PROCESSOR.....	20
5.3 MEMORY.....	20
5.4 POWER MANAGEMENT.....	20
5.5 HS USB 2.0 OTG PORT.....	21
5.6 HS USB 2.0 HOST PORT.....	21
5.7 STEREO AUDIO OUTPUT CONNECTOR.....	22
5.8 STEREO AUDIO IN CONNECTOR.....	22
5.9 S-VIDEO CONNECTOR.....	22
5.10 DVI-D CONNECTOR.....	22
5.11 LCD HEADER.....	22
5.12 MICROSD CONNECTOR.....	23
5.13 RESET BUTTON.....	23
5.14 USER BUTTON.....	23
5.15 INDICATORS.....	23
5.16 POWER CONNECTOR.....	23
5.17 JTAG CONNECTOR.....	24
5.18 RS232 DB9 CONNECTOR.....	24
5.19 MAIN EXPANSION HEADER.....	24
5.20 CAMERA CONNECTOR.....	24
5.21 MMC3 EXPANSION HEADER.....	24
5.22 MCBSP EXPANSION HEADER.....	25
5.23 BEAGLEBOARD MECHANICAL SPECIFICATIONS.....	25
5.24 ELECTRICAL SPECIFICATIONS.....	26
6.0 PRODUCT CONTENTS	28
6.1 BEAGLEBOARD IN THE BOX.....	28
6.2 SOFTWARE ON THE BEAGLEBOARD.....	29
6.3 REPAIRS.....	29
7.0 BEAGLEBOARD HOOKUP	30
7.1 CONNECTING USB OTG.....	30
7.2 CONNECTING USB HOST.....	31

7.3	CONNECTING DC POWER.....	32
7.4	CONNECTING JTAG.....	33
7.5	CONNECTING SERIAL CABLE.....	34
7.6	CONNECTING S-VIDEO.....	35
7.7	CONNECTING DVI-D CABLE.....	36
7.8	CONNECTING STEREO OUT CABLE.....	37
7.9	CONNECTING STEREO IN CABLE.....	38
7.10	INDICATOR LOCATIONS.....	39
7.11	BUTTON LOCATIONS.....	40
7.12	MICROSD CONNECTION.....	41
7.13	LCD CONNECTION.....	42
8.0	BEAGLEBOARD SYSTEM ARCHITECTURE AND DESIGN.....	43
8.1	SYSTEM BLOCK DIAGRAM.....	43
8.2	OVER VOLTAGE PROTECTION.....	45
8.2.1	<i>Detection</i>	46
8.2.2	<i>Indication</i>	46
8.2.3	<i>Shutdown</i>	46
8.3	POWER CONDITIONING.....	47
8.3.1	<i>USB DC Source</i>	48
8.3.2	<i>Wall Supply Source</i>	48
8.3.3	<i>DC Source Control</i>	48
8.3.4	<i>AUX 3.3V Supply</i>	49
8.4	METER CURRENT MEASUREMENT.....	50
8.5	PROCESSOR CURRENT MEASUREMENT.....	50
8.6	VBAT POWER CONDITIONING.....	52
8.7	TPS65950 RESET AND POWER MANAGEMENT.....	53
8.7.1	<i>Main Core Voltages</i>	53
8.7.2	<i>Main DC Input</i>	53
8.7.3	<i>Processor I2C Control</i>	53
8.7.4	<i>VIO_1V8</i>	53
8.7.5	<i>Main Core Voltages Smart Reflex</i>	56
8.7.6	<i>VOCORE_1V3</i>	56
8.7.7	<i>VDD2</i>	56
8.8	PERIPHERAL VOLTAGES.....	57
8.8.1	<i>VDD_PLL2</i>	57
8.8.2	<i>VDD_PLL1</i>	58
8.8.3	<i>VDAC_1V8</i>	58
8.8.4	<i>VDD_SIM</i>	59
8.8.5	<i>VMMC2</i>	59
8.8.6	<i>VDD_VMMC1</i>	59
8.8.7	<i>CAM_2V8</i>	59
8.8.8	<i>CAM_1V8</i>	59
8.8.9	<i>USB_1V8</i>	59
8.8.10	<i>EXP_VDD</i>	60
8.9	OTHER SIGNALS.....	60
8.9.1	<i>Boot Configuration</i>	60
8.9.2	<i>RTC Backup Battery</i>	60
8.9.3	<i>Power Sequencing</i>	61
8.9.4	<i>Reset Signals</i>	62
8.9.5	<i>mSecure Signal</i>	63
8.10	PROCESSOR.....	64
8.10.1	<i>Overview</i>	64
8.10.2	<i>SDRAM Bus</i>	65
8.10.3	<i>GPMC Bus</i>	65

8.10.4	<i>DSS Bus</i>	66
8.10.5	<i>McBSP2</i>	66
8.10.6	<i>McBSP1</i>	66
8.10.7	<i>McBSP3</i>	67
8.10.8	<i>Pin Muxing</i>	67
8.10.9	<i>GPIO Mapping</i>	69
8.10.10	<i>Interrupt Mapping</i>	69
8.11	POP MEMORY DEVICE.....	70
8.12	SYSTEM CLOCKS.....	70
8.12.1	<i>32KHz Clock</i>	71
8.12.2	<i>26MHz Clock</i>	71
8.12.3	<i>McBSP_CLKS</i>	72
8.13	USB OTG PORT.....	72
8.13.1	<i>USB OTG Overview</i>	72
8.13.2	<i>USB OTG Design</i>	73
8.13.3	<i>OTG ULPI Interface</i>	73
8.13.4	<i>OTG Charge Pump</i>	74
8.13.5	<i>OTG USB Connector</i>	75
8.13.6	<i>OTG USB Protection</i>	75
8.14	ONBOARD USB HUB.....	75
8.14.1	<i>Power</i>	76
8.14.2	<i>HS USB PHY</i>	77
8.14.3	<i>USB HUB</i>	79
8.14.4	<i>USB Port Connectors</i>	81
8.14.5	<i>Ethernet</i>	82
8.15	MICROSD.....	83
8.15.1	<i>microSD Power</i>	83
8.15.2	<i>Processor Interface</i>	83
8.15.3	<i>Card Detect</i>	84
8.15.4	<i>Booting From SD/MMC Cards</i>	84
8.16	AUDIO INTERFACE.....	85
8.16.1	<i>Processor Audio Interface</i>	85
8.16.2	<i>TPS65950 Audio Interface</i>	86
8.16.3	<i>Audio Output Jack</i>	86
8.16.4	<i>Audio Input Jack</i>	86
8.17	DVI-D INTERFACE.....	87
8.17.1	<i>Processor LCD Interface</i>	88
8.17.2	<i>LCD Power</i>	89
8.17.3	<i>TFP410 Power</i>	89
8.17.4	<i>TFP410 Framer</i>	89
8.17.5	<i>TFP410 Control Pins</i>	90
8.17.6	<i>DVI-D Connector</i>	91
8.18	LCD EXPANSION HEADERS.....	93
8.19	S-VIDEO.....	95
8.20	CAMERA PORT.....	96
8.20.1	<i>Camera Power</i>	97
8.20.2	<i>Camera I2C Port</i>	97
8.20.3	<i>Processor Camera Port Interface</i>	97
8.20.4	<i>Camera Modules</i>	100
8.21	RS232 PORT.....	101
8.21.1	<i>Processor Interface</i>	101
8.21.2	<i>Level Translator</i>	101
8.21.3	<i>RS232 Transceiver</i>	102
8.21.4	<i>Connector</i>	102
8.22	INDICATORS.....	102

8.22.1	<i>Power Indicator</i>	103
8.22.2	<i>PMU Status Indicator</i>	103
8.22.3	<i>User Indicators</i>	104
8.22.4	<i>HUB Power Indicator</i>	104
8.22.5	<i>Overvoltage Indicators</i>	104
8.23	JTAG.....	105
8.23.1	<i>Processor Interface</i>	105
8.23.2	<i>JTAG Connector</i>	106
8.24	MAIN EXPANSION HEADER.....	106
8.24.1	<i>Processor Interface</i>	106
8.24.2	<i>Expansion Signals</i>	108
8.24.3	<i>Power</i>	109
8.24.4	<i>Reset</i>	109
8.24.5	<i>Power Control</i>	109
8.25	LCD EXPANSION HEADER.....	110
8.26	AUXILIARY EXPANSION HEADER.....	111
8.26.1	<i>MCBSP5 Signals</i>	111
8.26.2	<i>MMC3 Signals</i>	112
8.26.3	<i>ETK Signals</i>	112
8.26.4	<i>HSUSB1 Signals</i>	113
8.26.5	<i>Alternate Clock</i>	113
8.26.6	<i>HDQ 1-Wire</i>	113
8.26.7	<i>ADC</i>	113
8.26.8	<i>GPIO Signals</i>	114
8.26.9	<i>DMAREQ</i>	114
8.27	AUDIO EXPANSION HEADER.....	114
9.0	CONNECTOR PINOUTS AND CABLES	115
9.1	POWER CONNECTOR.....	115
9.2	USB OTG.....	116
9.3	S-VIDEO.....	117
9.4	DVI-D.....	118
9.5	LCD.....	120
9.5.1	<i>Connector Pinout</i>	120
9.5.2	<i>Camera</i>	122
9.5.3	<i>Audio McBSP2 Port</i>	124
9.5.4	<i>Auxiliary Access Header</i>	125
9.5.5	<i>LCD and Expansion Measurements</i>	126
9.5.6	<i>Mounting Scenarios</i>	127
9.6	AUDIO CONNECTIONS.....	128
9.7	AUDIO OUT.....	129
9.8	JTAG.....	130
9.9	BATTERY INSTALLATION.....	132
9.9.1	<i>Battery</i>	132
9.9.2	<i>Battery Installation</i>	132
10.0	BEAGLEBOARD ACCESSORIES	134
10.1	DC POWER SUPPLY.....	135
10.2	DVI CABLES.....	136
10.3	DVI-D MONITORS.....	136
10.4	MICROSD CARDS.....	137
10.5	USB TO WiFi.....	137
10.6	USB TO BLUETOOTH.....	138
11.0	MECHANICAL INFORMATION	140

11.1	BEAGLEBOARD DIMENSIONS	140
11.2	BEAGLEBOARD EXPANSION CARD DESIGN INFORMATION	141
11.2.1	<i>Mounting Method</i>	141
11.2.2	<i>Expansion EEPROM</i>	143
12.0	BOARD VERIFICATION TEST POINTS	144
12.1.1	<i>Signal Access Points</i>	146
12.2	TROUBLESHOOTING GUIDE	147
13.0	KNOWN ISSUES.....	148
14.0	PCB COMPONENT LOCATIONS	149
15.0	SCHEMATICS.....	151
16.0	BILLS OF MATERIAL	163
17.0	PCB INFORMATION.....	164

Figures

Figure 1.	BeagleBoards C4 and -xM.....	18
Figure 2.	USB Y-Cable	21
Figure 3.	The -xM Rev A Box	28
Figure 4.	-xM Rev A Box Contents	29
Figure 5.	USB OTG Connection	30
Figure 6.	USB Host Connection.....	31
Figure 7.	DC Power Connection	32
Figure 8.	BeagleBoard JTAG Connection	33
Figure 9.	BeagleBoard Serial Cable Connection.....	34
Figure 10.	BeagleBoard S-Video Connection.....	35
Figure 11.	BeagleBoard DVI-D Connection.....	36
Figure 12.	BeagleBoard Audio Out Cable Connection.....	37
Figure 13.	BeagleBoard Audio In Cable Connection.....	38
Figure 14.	BeagleBoard Indicator Locations	39
Figure 15.	BeagleBoard Button Location.....	40
Figure 16.	BeagleBoard microSD Card Location	41
Figure 17.	BeagleBoard LCD Header Location.....	42
Figure 18.	BeagleBoard-xM High Level Block Diagram	43
Figure 19.	BeagleBoard Major Components.....	44
Figure 20.	Overvoltage Protection	45
Figure 21.	Input Power Section.....	47
Figure 22.	AUX 3.3 Power Section.....	50
Figure 23.	Processor Current Measurement.....	51
Figure 24.	VBAT Power Conditioning	52
Figure 25.	Main Power Rails.....	55
Figure 26.	Peripheral Voltages.....	58
Figure 27.	Power Sequencing.....	61
Figure 28.	Reset Circuitry	62
Figure 29.	AM37x Block Diagram.....	64

Figure 30.	McBSP2 Interface.....	66
Figure 31.	McBSP1 Interface.....	67
Figure 32.	McBSP3 Interface.....	67
Figure 33.	POP Memory	70
Figure 34.	System Clocks.....	70
Figure 35.	USB OTG Design.....	73
Figure 36.	USB HUB Block Diagram.....	76
Figure 37.	HUB Power Circuitry	77
Figure 38.	USB PHY Design	78
Figure 39.	USB HUB Design.....	80
Figure 40.	USB Port Power Design.....	81
Figure 41.	USB Based Ethernet Design.....	82
Figure 42.	microSD Interface.....	83
Figure 43.	Audio Circuitry	85
Figure 44.	DVI-D Interface	87
Figure 45.	S-Video Interface.....	95
Figure 46.	Camera Port Interface	96
Figure 47.	Camera Modules.....	100
Figure 48.	RS232 Interface Design	101
Figure 49.	Indicator Design.....	103
Figure 50.	JTAG Interface.....	105
Figure 51.	Main Expansion Header Processor Connections	106
Figure 52.	Power Connector.....	115
Figure 53.	USB OTG Connector.....	116
Figure 54.	OTG Host Shorting Pads	116
Figure 55.	S-Video Connector.....	117
Figure 56.	DVI-D Connector.....	118
Figure 57.	DVI-D Cable.....	119
Figure 58.	DVI-D Cable.....	119
Figure 59.	LCD Expansion Connector Pins.....	121
Figure 60.	Camera Connector	123
Figure 61.	Camera Module.....	123
Figure 62.	McBSP Audio Connector	124
Figure 63.	Auxiliary Access Connector	125
Figure 64.	Top Mount LCD Adapter.....	126
Figure 65.	Bottom Mount LCD Adapter	127
Figure 66.	Audio In Plug.....	128
Figure 67.	Audio In Connector.....	128
Figure 68.	Audio Out Plug	129
Figure 69.	Audio Out Connector.....	129
Figure 70.	JTAG Connector Pinout.....	130
Figure 71.	JTAG 14 to 20 Pin Adapter	131
Figure 72.	JTAG Connector Pinout.....	131
Figure 73.	Optional Battery.....	132
Figure 74.	Optional Battery Location.....	133
Figure 75.	Resistor R65.....	133

Figure 76.	DC Power Supply	135
Figure 77.	HDMI to DVI-D Cable	136
Figure 78.	USB to WiFi	137
Figure 79.	USB to Bluetooth	138
Figure 80.	BeagleBoard Dimension Drawing	140
Figure 81.	BeagleBoard Bottom Stacked Daughter Card	141
Figure 82.	BeagleBoard-xM Expansion Headers	142
Figure 83.	BeagleBoard Expansion Board EEPROM Schematic	143
Figure 84.	BeagleBoard Voltage Access Points	144
Figure 85.	BeagleBoard Signal Access Points	146
Figure 86.	BeagleBoard Top Side Components	149
Figure 87.	BeagleBoard Bottom Side Components	150

Tables

Table 1.	Change History	15
Table 2.	BeagleBoard-xM Features	19
Table 3.	BeagleBoard Electrical Specification -xM Rev A	26
Table 4.	Processor Pin Muxing Settings	68
Table 5.	Processor GPIO Pins	69
Table 6.	Processor Interrupt Pins	69
Table 7.	Processor ULPI Interface	74
Table 8.	TPS65950 ULPI Interface	74
Table 9.	USB OTG Charge Pump Pins	75
Table 10.	USB Host Port OMAP Signals	78
Table 11.	SD/MMC OMAP Signals	83
Table 12.	Processor Audio Signals	85
Table 13.	Processor Audio Signals	86
Table 14.	Processor LCD Signals	88
Table 15.	TFP410 Interface Signals	89
Table 16.	P11 LCD Signals	93
Table 17.	P13 LCD Signals	94
Table 18.	S-Video Interface Signals	95
Table 19.	Camera Interface Signals	98
Table 20.	Camera Pin Signal Mapping	99
Table 21.	JTAG Signals	105
Table 22.	Expansion Connector Signals	107
Table 23.	Expansion Connector Signal Groups	108
Table 24.	P11 GPIO Signals	110
Table 25.	P13 GPIO Signals	110
Table 26.	P13 Auxiliary Expansion Signals	111
Table 27.	P13 McBSP5 Expansion Signals	111
Table 28.	P13 MMC3 Expansion Signals	112
Table 29.	P13 Auxiliary ETK Signals	112
Table 30.	P13 High Speed USB Expansion Signals	113
Table 31.	P13 Auxiliary GPIO Signals	114

Table 32. DVI-D to HDMI Cable 118

Table 33. P11 LCD Signals..... 120

Table 34. P13 LCD Signals..... 121

Table 35. P10 Camera Signals 122

Table 36. P10 McBSP2 Signals 124

Table 37. P17 Auxiliary Access Signals 125

Table 38. Connector Dimensions..... 126

Table 39. JTAG Signals 130

Table 40. DC Power Supply Specifications..... 135

Table 41. DC Power Supplies..... 135

Table 42. DVI-D Monitors Tested..... 136

Table 43. SD/MMC Cards Tested..... 137

Table 44. USB to WiFi Adapters 138

Table 45. USB to Bluetooth Adapters 139

Table 46. Voltages 145

Table 47. Troubleshooting..... 147

Table 48. Known Issues 148

NOTES

1.0 Introduction

This document is the System Reference Manual for the BeagleBoard-xM, a low cost ARM Cortex A8 board supported through BeagleBoard.org. This document provides detailed information on the overall design and usage of the BeagleBoard from the system level perspective. It is not intended to provide detailed documentation of the processor or any other component used on the board. It is expected that the user will refer to the appropriate documents for these devices to access detailed information.

The processor used on the BeagleBoard-xM is compatible with several Cortex A8 processors manufactured by Texas Instruments. Currently, the processor is a DM3730 processor, which has yet to be announced by Texas Instruments. The only documentation that is available is the AM3715. The key difference between the AM3715 and the DM3730, is that the DSP is not included on the AM3715.

For the remainder of this document, it will only be referred to as the processor.

The key sections in this document are:

[Section 2.0– Change History](#)

Provides tracking for the changes made to the System Reference Manual.

[Section 3.0– Definitions and References](#)

This section provides definitions for commonly used terms and acronyms.

[Section 4.0– Overview](#)

This is a high level overview of the BeagleBoard.

[Section 5.0– Specification](#)

Provided here are the features and electrical specifications of the BeagleBoard.

[Section 6.0-Product Contents](#)

Describes what the BeagleBoard package looks like and what is included in the box.

[Section 7.0– Hookup](#)

Covered here is how to connect the various cables to the BeagleBoard.

[Section 8.0– System Architecture and Design](#)

This section provides information on the overall architecture and design of the BeagleBoard. This is a very detailed section that goes into the design of each circuit on the board.

[Section 9.0– Connector Pinouts and Cables](#)

The section describes each connector and cable used in the system. This will allow the user to create cables, purchase cables, or to perform debugging as needed.

[Section 10.0– BeagleBoard Accessories](#)

Covered in this section are a few of the accessories that may be used with BeagleBoard. This is not an exhaustive list, but does provide an idea of the types

of cables and accessories that can be supported and how to find them. It also provides a definition of what they need to be. It does not guarantee that these devices will work on all OS implementations.

[Section 11.0 – Mechanical](#)

Information is provided here on the dimensions of the BeagleBoard.

[Section 12.0 – Troubleshooting](#)

Here is where you can find tips on troubleshooting the setup of the BeagleBoard.

[Section 13.0- Known Issues](#)

This section describes the known issues with the current revision of the BeagleBoard and any workarounds that may be possible.

[Section 14.0- BeagleBoard Components](#)

This section provides information on the top and bottom side silkscreen of the BeagleBoard showing the location of the components.

[Section 15.0- BeagleBoard Schematics](#)

These are the schematics for the BeagleBoard and information on where to get the PDF and OrCAD files..

[Section 16.0- Bill Of Material](#)

This section describes where to get the latest Bill of Material for the BeagleBoard.

[Section 17.0- BeagleBoard PCB Information](#)

This section describes where to get the PCB file information for the BeagleBoard.

2.0 Change History

2.1 Change History

Table 1 tracks the changes made for each revision of this document.

Table 1. Change History

Rev	Changes	Date	By
A	Initial release.	6/4/2010	GC
A1	Updated to new power OVP scheme	6/21/2020	GC
A2	Updated with camera and Memory information	7/23/2010	GC

2.2 Revision C4 vs. -xM Revision A2

There are several key differences between the BeagleBoard Revision C4 versus the -xM Rev A2 version.

2.2.1 Hardware Changes

AREA	-xM	C4	Comments
Processor	DM3730	OMAP3530	
ARM Frequency	1GHZ	720MHz	
DSP Frequency	800Mhz	520MHz	
SGX Frequency	200Mhz	110MHz	
DDR	512MB	256MB	
DDR Speed	166MHz	166MHz	
NAND	0	256MB	
SD Connector	uSD	MMC/SD	
USB Host Ports	4	1	
Host Port Speed	FS/LS/HS	HS	
Serial Connector	DB9	Header	Direct connect to USB to Serial Cable
Camera Header	Yes	No	Leopard Imaging Camera module
Ships with 4G SD	Yes	No	Contains bootable desktop
Overvoltage Protection	Yes	No	
Power LED turnoff	Yes	No	
Serial Port Power Turnoff	Yes	No	
MMC3 Expansion Header	Yes	No	
McBSP2 Expansion Header	Yes	No	

There will be two different assembly versions of the -xM. These two versions will be shipping at the same time. The long-term plan is to only ship one eventually.

-00 Micron LPDDR 512MB
-01 Numonyx LPDDR 512MB

Here is a brief explanation for the reason behind this.

We are having yield issues with the current batch of Micron parts. We are hoping that the next batch of production versions will work. However, the dates are continuing to ship so we do not know when we will receive those parts. So, we are starting production with the Numonyx parts and will continue to build using those parts until such time as the Micron parts are proved to be working, have acceptable yields, and we have steady supply. There are no issues with the -00 assemblies that use the Micron parts. We just cannot afford to scrap all those boards due to poor yields.

All features and capabilities are the same between the two assemblies with the exception that in theory the Micron parts should run at 200MHz.

2.2.2 Software Changes

Following are the changes to the SW.

- Use of a universal Beagle XLoader and UBoot. These will work on any Beagle made. They include support for the 512MB DDR and the removal of the NAND from the -xM board.
- A demo version of the Angstrom desktop distribution.

3.0 Definitions and References

3.1 Definitions

SD- Secure Digital

microSD- Small version of the standard SD card

MDDR- Mobile Dual Data Rate

SDRAM- Synchronous Dualrate Random Access Memory

4.0 BeagleBoard Overview

The BeagleBoard is designed specifically to address the Open Source Community. It has been equipped with a minimum set of features to allow the user to experience the power of the processor and is not intended as a full development platform as many of the features and interfaces supplied by the processor are not accessible from the BeagleBoard. By utilizing standard interfaces, the BeagleBoard is highly extensible to add many features and interfaces. It is not intended for use in end products. All of the design information is freely available and can be used as the basis for a product. BeagleBoards will not be sold for use in any product as this hampers the ability to get the boards to as many community members as possible and to grow the community.

4.1 BeagleBoard Versions

There are two different versions of the beagle in production, the Rev C4 and the -xM. Figure 1 is a picture of each of these versions. This manual covers the -xm Version only. Please refer to the Rev C4

The **Figure 1** provides an example of a few of the various usage scenarios for the BeagleBoard.

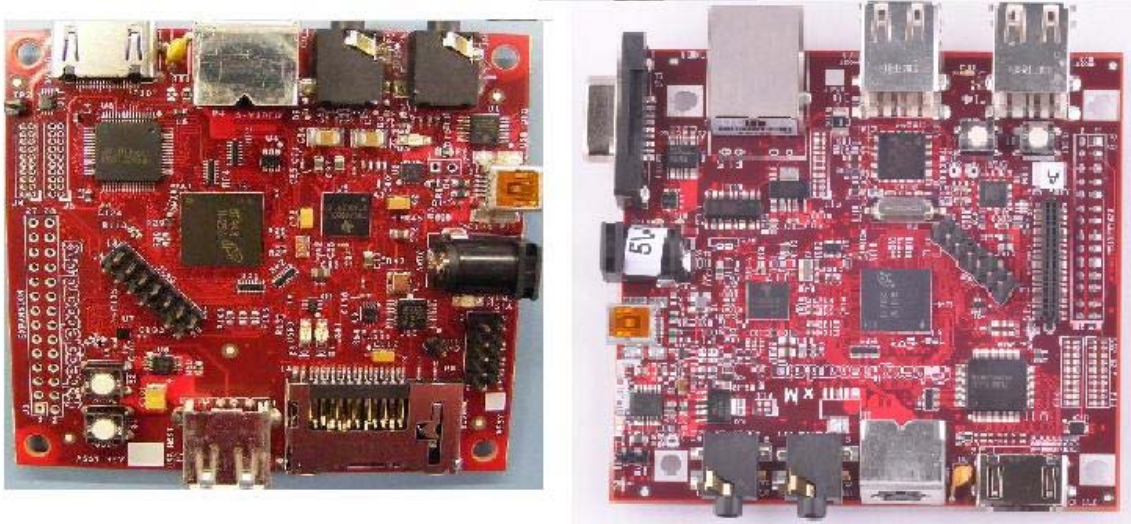


Figure 1. BeagleBoards C4 and -xM

5.0 BeagleBoard Specification

This section covers the specifications of the BeagleBoard and provides a high level description of the major components and interfaces that make up the BeagleBoard.

5.1 BeagleBoard Features

Table 2 provides a list of the BeagleBoard's features.

Table 2. BeagleBoard-xM Features

	Feature	
Processor	Texas Instruments Cortex A8 1GHz processor	
POP Memory	Micron 4Gb MDDR SDRAM (512MB) 200MHz	
PMIC TPS65950	Power Regulators	
	Audio CODEC	
	Reset	
	USB OTG PHY	
Debug Support	14-pin JTAG	GPIO Pins
	UART	3 LEDs
PCB	3.1" x 3.0" (78.74 x 76.2mm)	6 layers
Indicators	Power, Power Error	2-User Controllable
	PMU	USB Power
HS USB 2.0 OTG Port	Mini AB USB connector	
	TPS65950 I/F	
USB Host Ports	SMSC LAN9514 Ethernet HUB	
	4 FS/LS/HS	Up to 500ma per Port if adequate power is supplied
Ethernet	10/100	From USB HUB
Audio Connectors	3.5mm	3.5mm
	L+R out	L+R Stereo In
SD/MMC Connector	MicroSD	
User Interface	1-User defined button	Reset Button
Video	DVI-D	S-Video
Camera	Connector	Supports Leopard Imaging Module
Power Connector	USB Power	DC Power
Overvoltage Protection	Shutdown @ Over voltage	
Main Expansion Connector	Power (5V & 1.8V)	UART
	McBSP	McSPI
	I2C	GPIO
	MMC2	PWM
2 LCD Connectors	Access to all of the LCD control signals plus I2C	3.3V, 5V, 1.8V
Auxiliary Audio	4 pin connector	McBSP2
Auxiliary Expansion	MMC3	MMC3,GPIO,ADC,HDQ

The following sections provide more detail on each feature and sections of the BeagleBoard.

5.2 Processor

The BeagleBoard-xM processor is the DM3730CBP 1GHz version and comes in a .4mm pitch POP package. POP (Package on Package) is a technique where the memory is mounted on top of the processor. For this reason, when looking at the BeagleBoard, you will not find an actual part labeled DM3730CBP, but instead see the part number for the memory.

5.3 Memory

There are two possible memory devices used on the -xM. The -00 assembly uses the Micron POP memory and the -01 uses the Numonyx POP memory. The key function of the POP memory is to provide:

- 4Gb MDDR SDRAM x32 (512MB @ 166MHz)

No other memory devices are on the BeagleBoard. It is possible however, that additional non volatile memory storage can be added to BeagleBoard by:

- Accessing the memory on the uSD card
- Use the USB OTG port and a powered USB hub to drive a USB Thumb drive or hard drive.
- Install a thumbdrive into one of the USB ports
- Add a USB to Hard Disk adapter to one of the USB ports

Support for these devices is dependent upon driver support in the OS.

5.4 Power Management

The TPS65950 is used on the BeagleBoard to provide power with the exception of a 3.3V regulator which is used to provide power to the DVI-D encoder and RS232 driver and an additional 3.3V regulator to power the USB Hub. In addition to the power the TPS65950 also provides:

- Stereo Audio Out
- Stereo Audio in
- Power on reset
- USB OTG PHY
- Status LED

5.5 HS USB 2.0 OTG Port

The USB OTG port can be used as the primary power source and communication link for the BeagleBoard and derives power from the PC over the USB cable. The client port is limited in most cases to 500mA by the PC. A single PC USB port is not sufficient to power the BeagleBoard if the USB Host is enabled. It is configured by the default in the software supplied. The increase in power is due to the addition of the USB HUB on BeagleBoard.

It is possible to take the current supplied by the USB ports to 1A by using a Y cable. **Figure 2** shows an example of the Y-Cable for the USB.

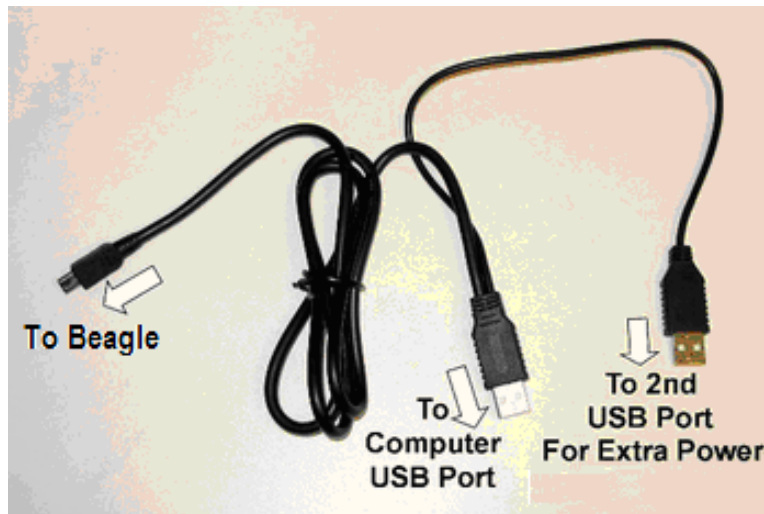


Figure 2. USB Y-Cable

The BeagleBoard requires a Y-Cable minAB to USB A cable or as mentioned a single cable can be used if the USB Hub is powered down.

There is an option to provide external power to the BeagleBoard using a 5V DC supply and is discussed later in this section.

5.6 HS USB 2.0 Host Port

On the board are four USB Type A connectors with full LS/FS/HS support. Each port can provide power on/off control and up to 500mA of current at 5V as long as the input DC is at least 3A.

5.7 Stereo Audio Output Connector

A 3.5mm standard stereo output audio jack is provided to access the stereo output of the onboard audio CODEC. The Audio CODEC is provided by the TPS65950.

5.8 Stereo Audio In Connector

A 3.5mm standard stereo audio input jack is provided to access the stereo output of the onboard audio CODEC.

5.9 S-Video Connector

A 4 pin DIN connector is provided to access the S-Video output of the BeagleBoard. This is a separate output from the processor and can contain different video output data from what is found on the DVI-D output if the software is configured to do it.

It will support NTSC or PAL format output to a standard TV. The default is NTSC, but can be changed via the Software.

5.10 DVI-D Connector

The BeagleBoard can drive a LCD panel equipped with a DVI-D digital input. This is the standard LCD panel interface of the processor and will support 24b color output. DDC2B (Display Data Channel) or EDID (Enhanced Display ID) support over I2C is provided in order to allow for the identification of the LCD monitor type and the required settings.

The BeagleBoard is equipped with a DVI-D interface that uses an HDMI connector that was selected for its small size. It does not support the full HDMI interface and is used to provide the DVI-D interface portion only. The user must use a HDMI to DVI-D cable or adapter to connect to a LCD monitor. This cable or adapter is not provided with the BeagleBoard. A standard HDMI cable can be used when connecting to a monitor with an HDMI connector.

DO NOT PLUG IN THE DVI-D CONNECTOR TO A DISPLAY WITH THE BEAGLEBOARD POWERED ON. PLUG IN THE CABLE TO THE DISPLAY AND THEN POWER ON THE BEAGLEBOARD.

5.11 LCD Header

A pair of 1.27mm pitch 2x10 headers are provided to gain access to the LCD signals. This allows for the creation of LCD boards that will allow adapters to be made to provide the level translation to support different LCD panels.

5.12 microSD Connector

A single microSD connector is provided as a means for the main non-volatile memory storage on the board. This replaces the 6 in 2 SD/MMC connector found on the C4.

5.13 Reset Button

When pressed and released, causes a power on reset of the BeagleBoard.

5.14 User Button

A button is provided on the BeagleBoard to be used as an application button that can be used by SW as needed. As there is no NAND boot option on the board, this button is no longer needed to force an SD card boot. It is can be used by the UBoot SW to switch between user scripts to allow different boot configurations to be selected as long as that feature is included in the UBoot used..

5.15 Indicators

There are five green LEDs on the BeagleBoard that can be controlled by the user.

- One on the TPS65950 that is programmed via the I2C interface
- Two on the processor controlled via GPIO pins
- One Power LED that indicates that power is applied and can be turned off via SW.
- One to indicate that power is applied to the onboard USB HUB and can be controlled via the SW.

There is also on RED on the BeagleBoard that provides an indication that the connected to the board exceeds the voltage range of the board. If this LED ever turns on, please remove the power connector and look for the correct power supply.

5.16 Power Connector

Power will be supplied via the USB OTG connector and if a need arises for additional power, such as when a board is added to the expansion connectors, a larger wall supply 5V can be plugged into the optional power jack. When the wall supply is plugged in, it will remove the power path from the USB connector and will be the power source for the whole board. The power supply is not provided with the BeagleBoard.

When using the USB OTG port in the host mode, the DC supply must be connected as the USB port will be used to provide limited power to the hub at a maximum of 100mA,

so a hub must be powered. The 100mA is not impacted by having a higher amperage supply plugged into the DC power jack. The 100mA is a function of the OTG port itself. Make sure the DC supply is regulated and a clean supply. If the power is over the voltage specification, a RED LED will turn on. This will prevent the power from actually making it to the circuitry on the board and will stay on as long as the power exceeds the voltage specification.

5.17 JTAG Connector

A 14 pin JTAG header is provided on the BeagleBoard to facilitate the SW development and debugging of the board by using various JTAG emulators. The interface is at 1.8V on all signals. Only 1.8V Levels are supported. **DO NOT expose the JTAG header to 3.3V.**

5.18 RS232 DB9 Connector

Support for RS232 via UART3 is provided by DB9 connector on the BeagleBoard for access to an onboard RS232 transceiver. A USB to Serial cable can be plugged directly into the Beagle. No null modem cable is required. A standard male to female straight DB9 cable may also be used.

5.19 Main Expansion Header

A single 28 pin header is provided on the board to allow for the connection of various expansion cards that could be developed by the users or other sources. Due to multiplexing, different signals can be provided on each pin. This header is populated on each board.

5.20 Camera Connector

A single connector has been added to the BeagleBoard-xM board for the purpose of supporting a camera module. The camera module does not come with the board but can be obtained from Leopard Imaging. The supported resolutions include VGA, 2MP, 3MP, and 5MP camera modules. For proper operation of the cameras, the correct SW drivers are required. This connector is populated on the board and is ready for the camera module to be installed.

5.21 MMC3 Expansion Header

New to the BeagleBoard-xM is a 20 pin connector provided to allow access to additional signals including GPIO and the MMC3 port. This connector is populated on the board.

5.22 McBSP Expansion Header

A 4 pin connector is provided to allow access to the McBSP2 signals for audio applications. In order to use these signals, the audio interface on the TPS65950 must be disabled by the SW. This connector is populated on the board..

5.23 BeagleBoard Mechanical Specifications

Size:	3.35" x 3.45"
Max height:	TBM
Layers:	6
PCB thickness:	.062"
RoHS Compliant:	Yes
Weight:	TBW

5.24 Electrical Specifications

Table 3 is the electrical specification of the external interfaces to the BeagleBoard-xM Rev A.

Table 3. BeagleBoard Electrical Specification -xM Rev A

Specification	Min	Typ	Max	Unit
Power				
Input Voltage USB		5	5.2	V
Current USB		350		mA
Input Voltage DC	4.8	5	5.2	V
Current DC		750		mA
Max Voltage without damage			12	V
Expansion Voltage (5V)	4.8	5	5.2	V
Current (Dépends on source current available)		1		A
Expansion Voltage (1.8V)	1.75	1.8	1.85	V
Current			30	mA
USB Host (Same as the DC supplied by the power plug or USB 5V)	4.8	5	5.2	V
Current (Depends on what the DC source can supply over what the board requires)		Varies		
USB OTG				
High Speed Mode			480	Mb/S
Full Speed Mode			12.5	Mb/S
Low Speed Mode			1.5	Mb/S
USB Host				
High Speed Mode			480	Mb/S
Full Speed Mode			12.5	Mb/S
Low Speed Mode			1.5	Mb/S
RS232				
Transmit				
High Level Output Voltage		5	5.4	V
Low Level output voltage		-5	-5.5	V
Output impedance		+/-35	+/-60	mA
Maximum data rate	250			Kbit/S
Receive				
High level Input Voltage	-2.7	-3.2		V
Lo Level Input Voltage			.4	
Input resistance	3	5	7	Kohms
JTAG				
Realview ICE Tool			30	MHz
XDS560			30	MHz
XDS510			30	MHz
Lauterbach(tm)			30	MHz
microSD				
Voltage Mode 1.8V	1.71	1.8	1.89	V
Voltage Mode 3.0V	2.7	3.0		V
Current			220	mA
Clock			48	MHz
DVI-D				
Pixel Clock Frequency	25		65	MHz
High level output voltage		3.3		V

Swing output voltage	400		600	mVp-p
Maximum resolution			1024 x 768	
S-Video				
Full scale output voltage (75ohm load)	.7	.88	1	V
Offset voltage		50		mV
Output Impedance	67.5	75	82.5	Ohms
Audio In				
Peak-to-peak single-ended input voltage (0 dBFs)			1.5	Vpp
Total harmonic distortion (sine wave @ 1.02 kHz @ -1 dBFs)		-80	-75	dB
Total harmonic distortion (sine wave @ 1.02 kHz) 2 0 Hz to 20 kHz, A-weighted audio, Gain = 0 dB		-85	-78	dB
Audio Out				
Load Impedance @100 pF	14	16		ohms
Maximum Output Power (At 0.53 Vrms differential output voltage and load impedance = 16 Ohms)		17.56		mW
Peak-to-Peak output voltage			1.5	Vpp
Total Harmonic Distortion @ 0 dBFs		-80	-75	dB
Idle channel noise (20Hz to 20KHz)		-90	-85	dB

6.0 Product Contents

Under this section is a description of what comes in the box when the BeagleBoard is purchased.

6.1 BeagleBoard In the Box

The final packaged -xM Rev A product will contain the following:

- 1 Box
- 1 BeagleBoard in an ESD Bag
- 1 uSD card
- 1 uSD Card to MMC Adapter

NO CABLES ARE PROVIDED WITH THE BEAGLEBOARD.



Figure 3. The -xM Rev A2 Box

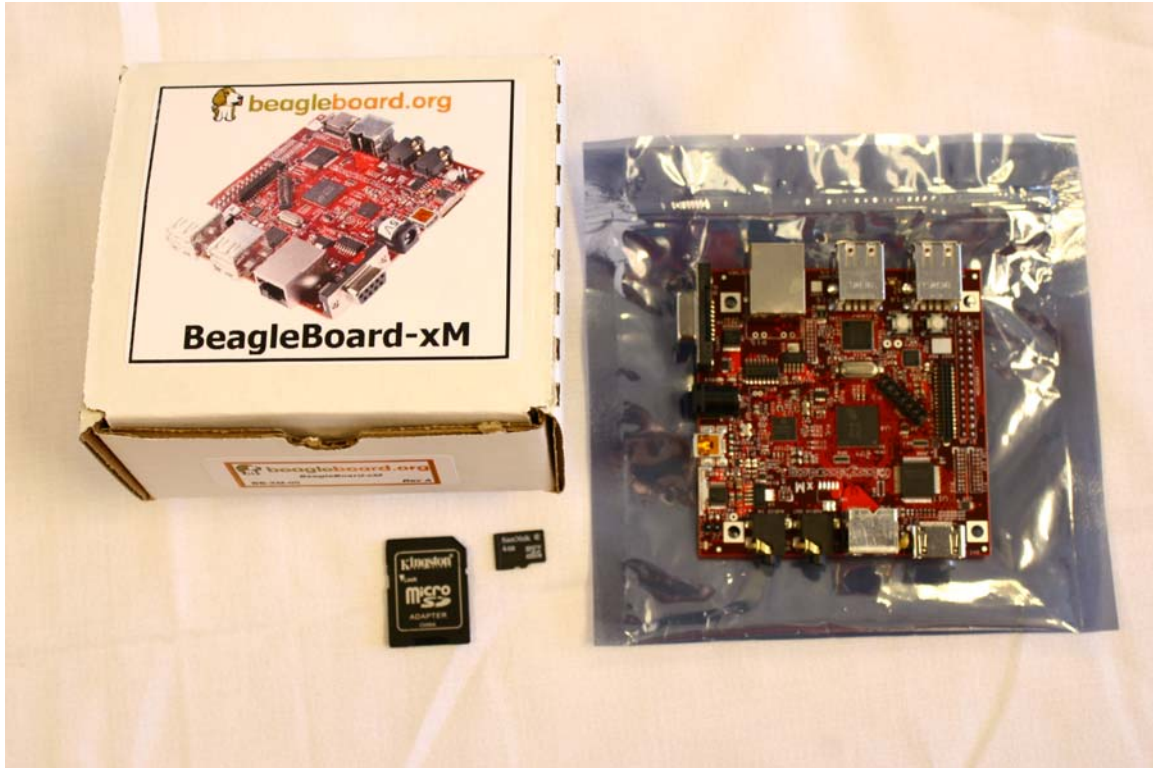


Figure 4. -xM Rev A2 Box Contents

6.2 Software on the BeagleBoard

There is no NAND on the board so no SW is preinstalled on the board as it is on the Rev C4. The -xM does come with a 4GB SD card that the board boots from. It contains all of the code required for the board to boot to an Angstrom desktop. It can also be used to boot to UBoot by hitting a key during the booting process before it reads the UImage.

6.3 Repairs

If you feel the board is in need of repair, follow the RMA Request process found at <http://beagleboard.org/support/rma>

Do not send the board in for repair until a RMA authorization has been provided.

Do not return the board to the distributor.

7.0 BeagleBoard Hookup

This section provides an overview of all of the connectors on the BeagleBoard.

7.1 Connecting USB OTG

The USB OTG port connects to the PC host and uses a miniAB cable through which power can be provided to the BeagleBoard. **Figure 5** shows where the cable is connected to the BeagleBoard.

If the OTG Port is to be used as a Host, the ID pin must be grounded. This means that you must have a 5 pin cable connected to the OTG port on the BeagleBoard and you must use a USB powered HUB. There is also an option to ground the ID on the board and is discussed later. You can power the board from this port, but there may not be enough power supplied by the PC to power all features, such as the USB Host ports and the Ethernet Port. If you use the double ended USB cable, you should be able to power the board with minimal issues as long as you do not load down the USB Host ports with heavy current devices.

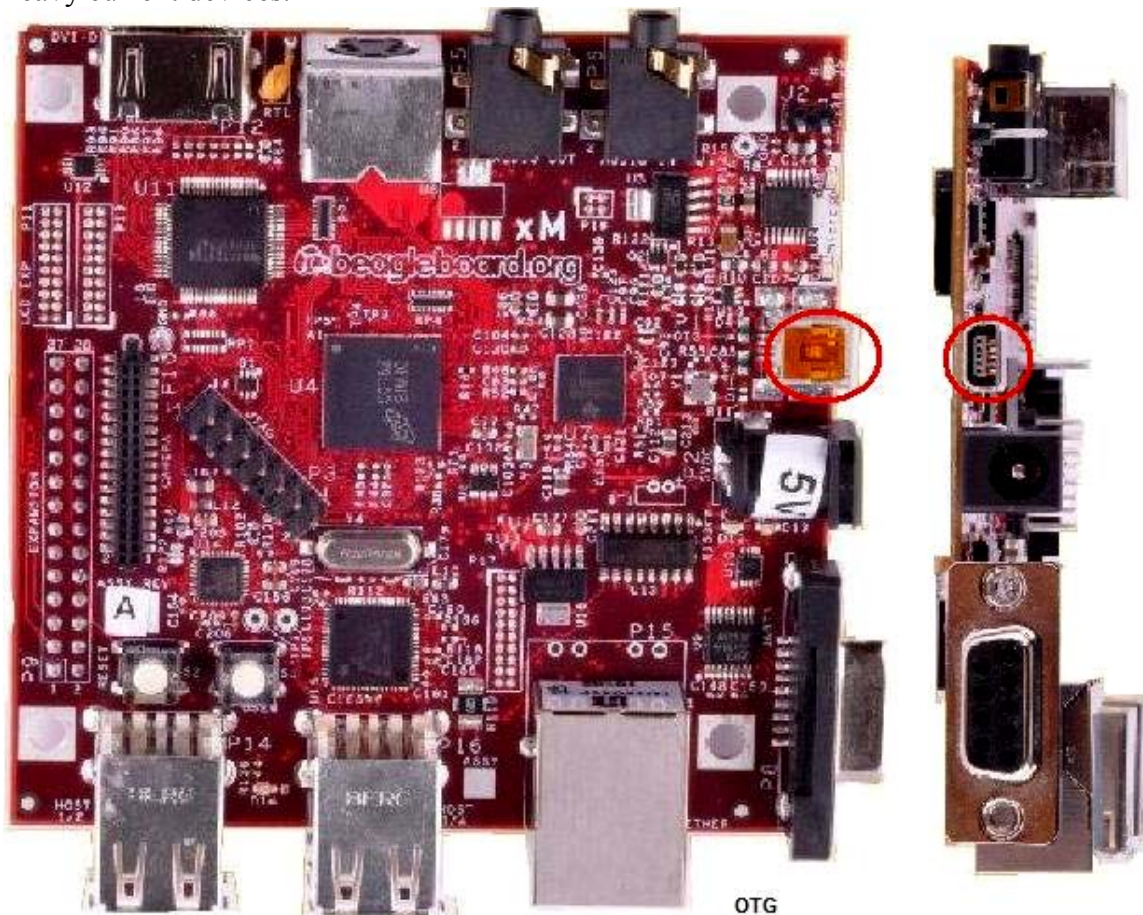


Figure 5. USB OTG Connection

7.2 Connecting USB Host

The Beagle is equipped with 4 USB Host connectors. **Figure 6** shows the location of the USB Host connectors.

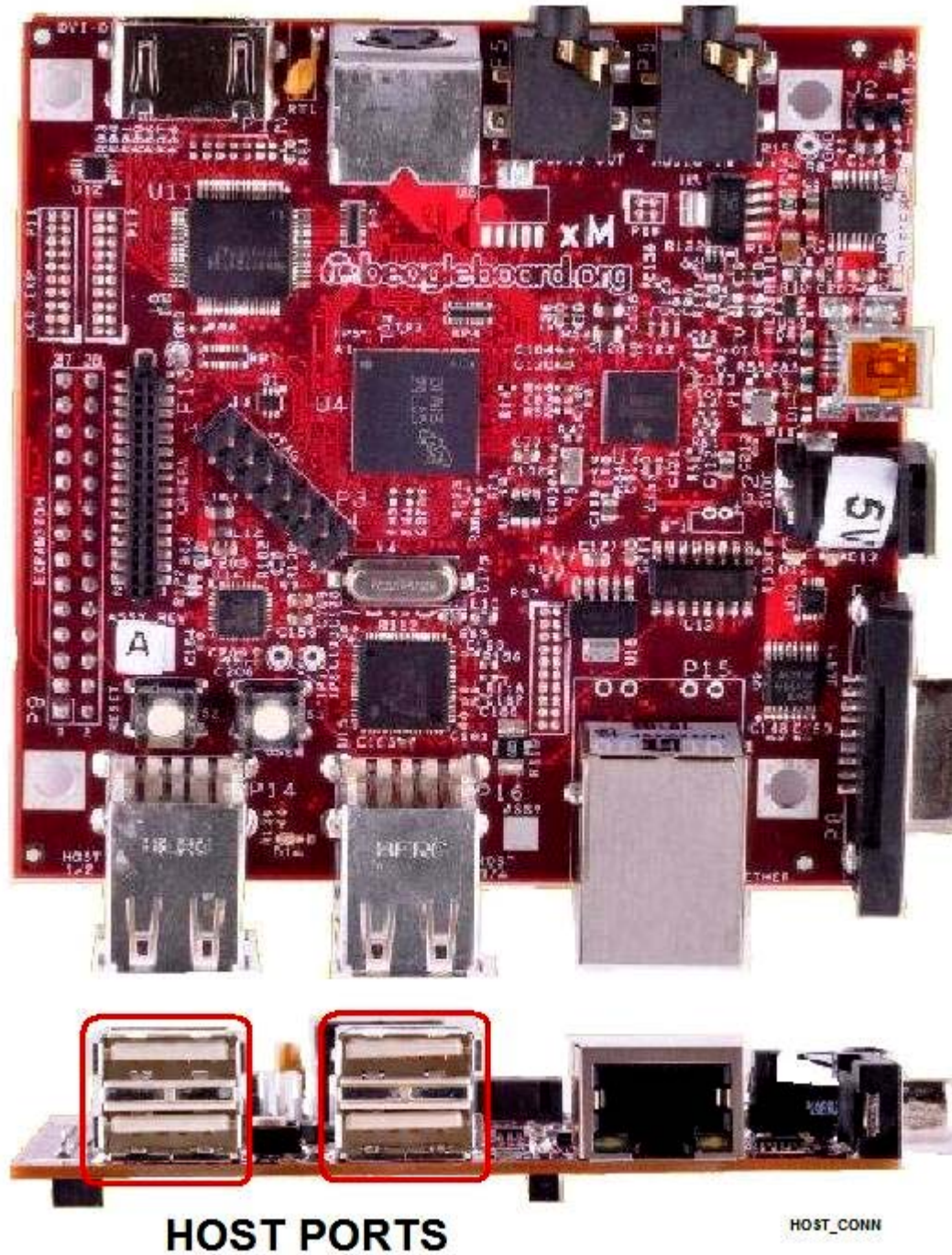


Figure 6. USB Host Connection

7.3 Connecting DC Power

A DC supply can be used to power the BeagleBoard by plugging it into the power jack. The power supply is not provided with the BeagleBoard, but can be obtained from various sources. You need to make sure the supply is a regulated 5V supply. **Figure 7** shows where to insert the power supply into the power jack.

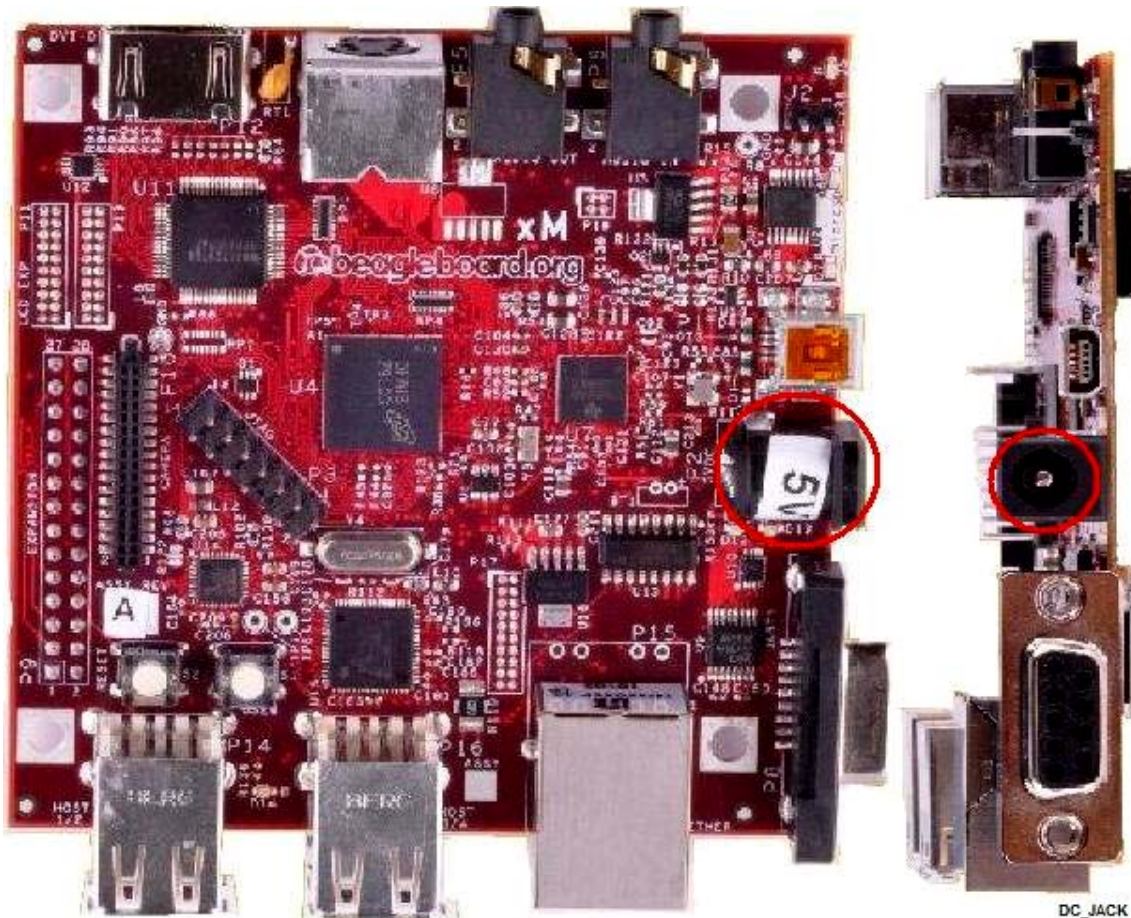


Figure 7. DC Power Connection

The power supply must have a 2.1mm I.D x 5.5mm O.D. x 9.5mm and can be either straight or right angle. Connecting anything other than 5V will activate the over voltage circuitry, turning on a red LED. The board will not function until the correct power supply is used. If you are using the USB OTG port in the OTG or host mode, you must have an external DC supply powering the BeagleBoard.

It is highly recommended that on the -XM Rev A version of the board that an external power supply or double USB cable be used if the USB Host is to be used. Most USB supplies will not be able to supply the required current over a single USB port.

7.4 Connecting JTAG

A JTAG emulator can be used for advanced debugging by connecting it to the JTAG header on the BeagleBoard. Only the 14pin version of the JTAG is supported and if a 20pin version is needed, you will to contact your emulator supplier for the appropriate adapter. **Figure 8** shows the connection of the **JTAG** cable to the BeagleBoard.

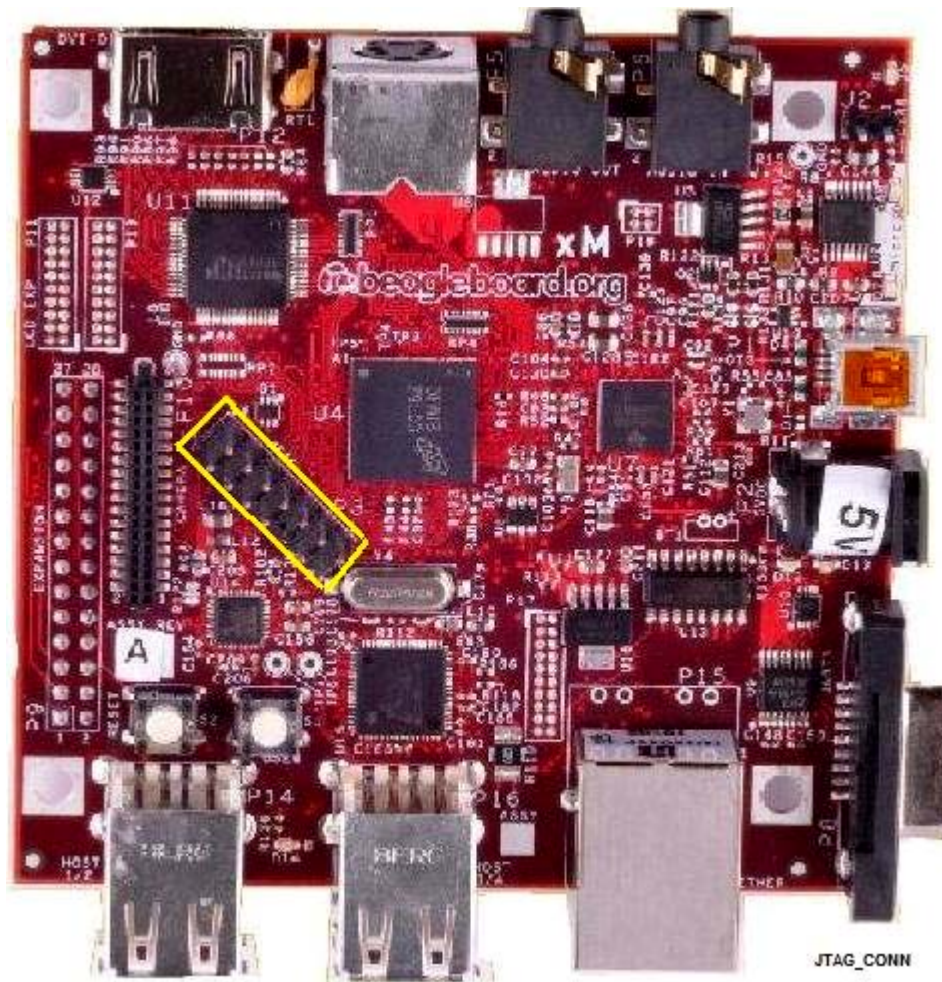


Figure 8. BeagleBoard JTAG Connection

DO NOT expose the JTAG header to 3.3V. It supports 1.8V only.

7.5 Connecting Serial Cable

In order to access the serial port of the BeagleBoard a serial cable is required. New to the -xM version is the removal of the 10 pin header and the addition of a female DB9 connector. The configuration of the DB9 is such that a USB to serial adapter can be plugged direct into the Beagle connector. No null modem cable is required. **Figure 9** shows where the serial cable is to be installed.

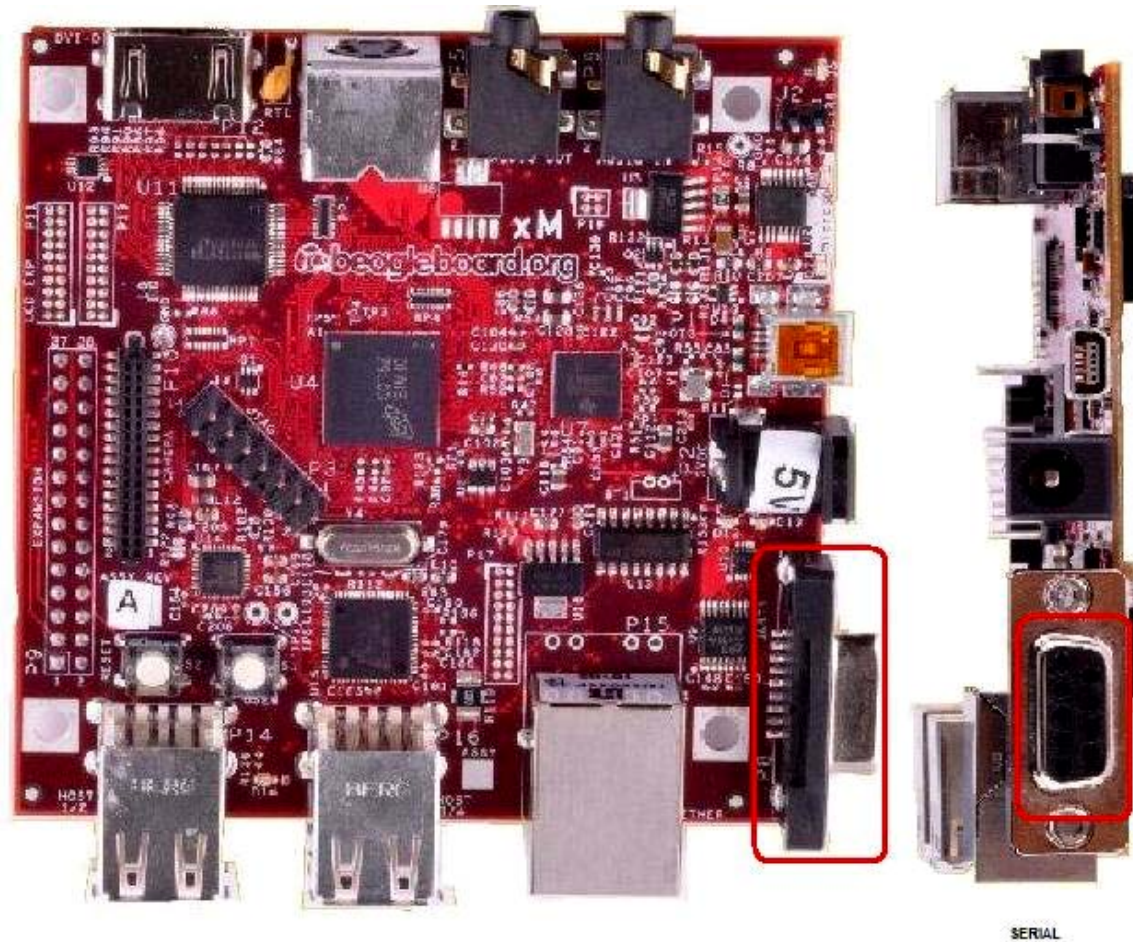


Figure 9. BeagleBoard Serial Cable Connection

If you are using a standard serial port on the PC, a straight through male to female cable is required. The cable used on the Rev C4 will not work on the -xM board.

7.6 Connecting S-Video

An S-Video cable can be connected to the BeagleBoard and from there it can be connected to a TV or monitor that supports an S-Video input. This cable is not supplied with the BeagleBoard. **Figure 10** shows the connector for the S-Video cable.

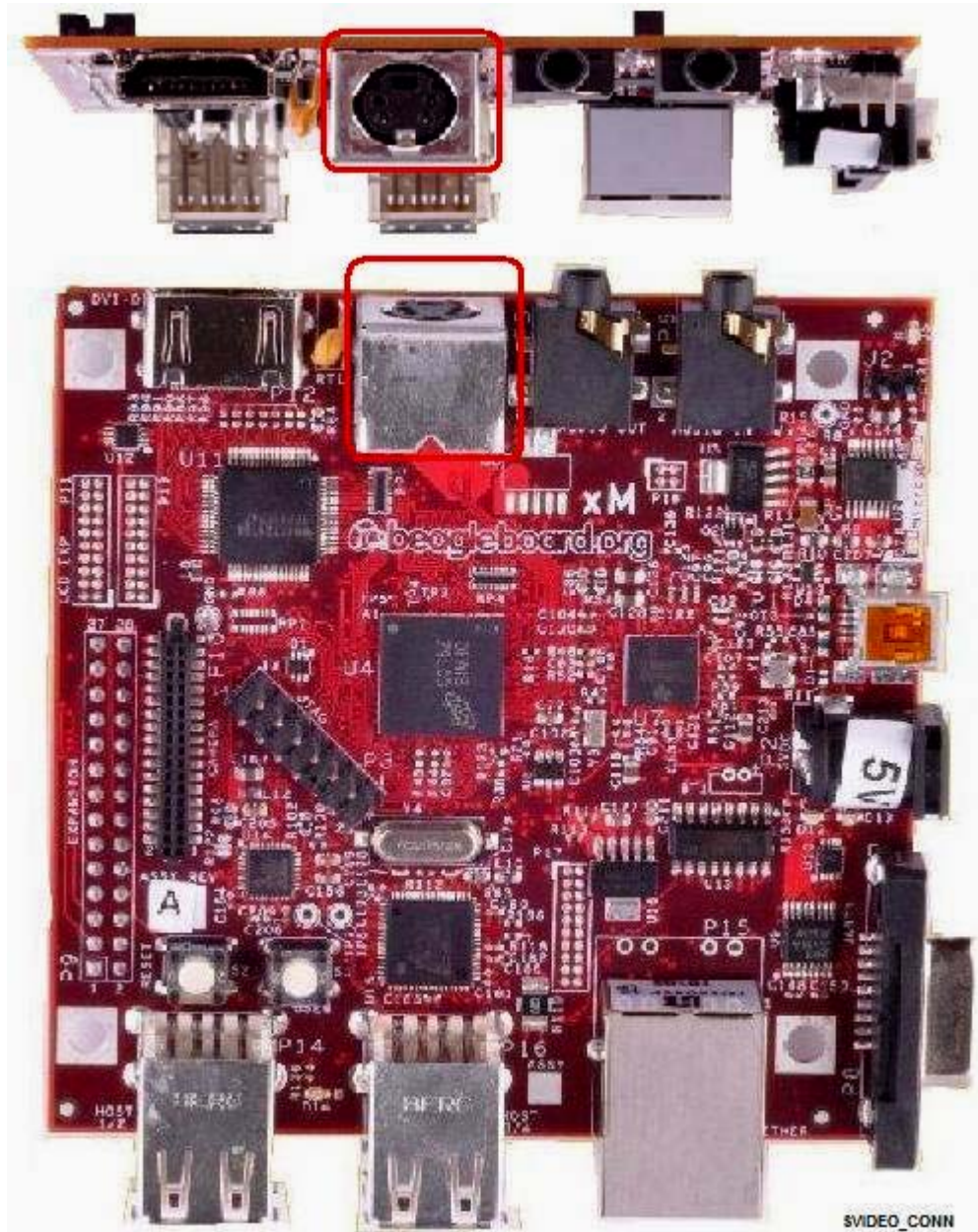


Figure 10. BeagleBoard S-Video Connection

7.7 Connecting DVI-D Cable

In order to connect the DVI-D output to a monitor, a HDMI to DVI-D cable is required. This cable is not supplied with BeagleBoard but can be obtained through numerous sources. **Figure 11** shows the proper connection point for the cable.

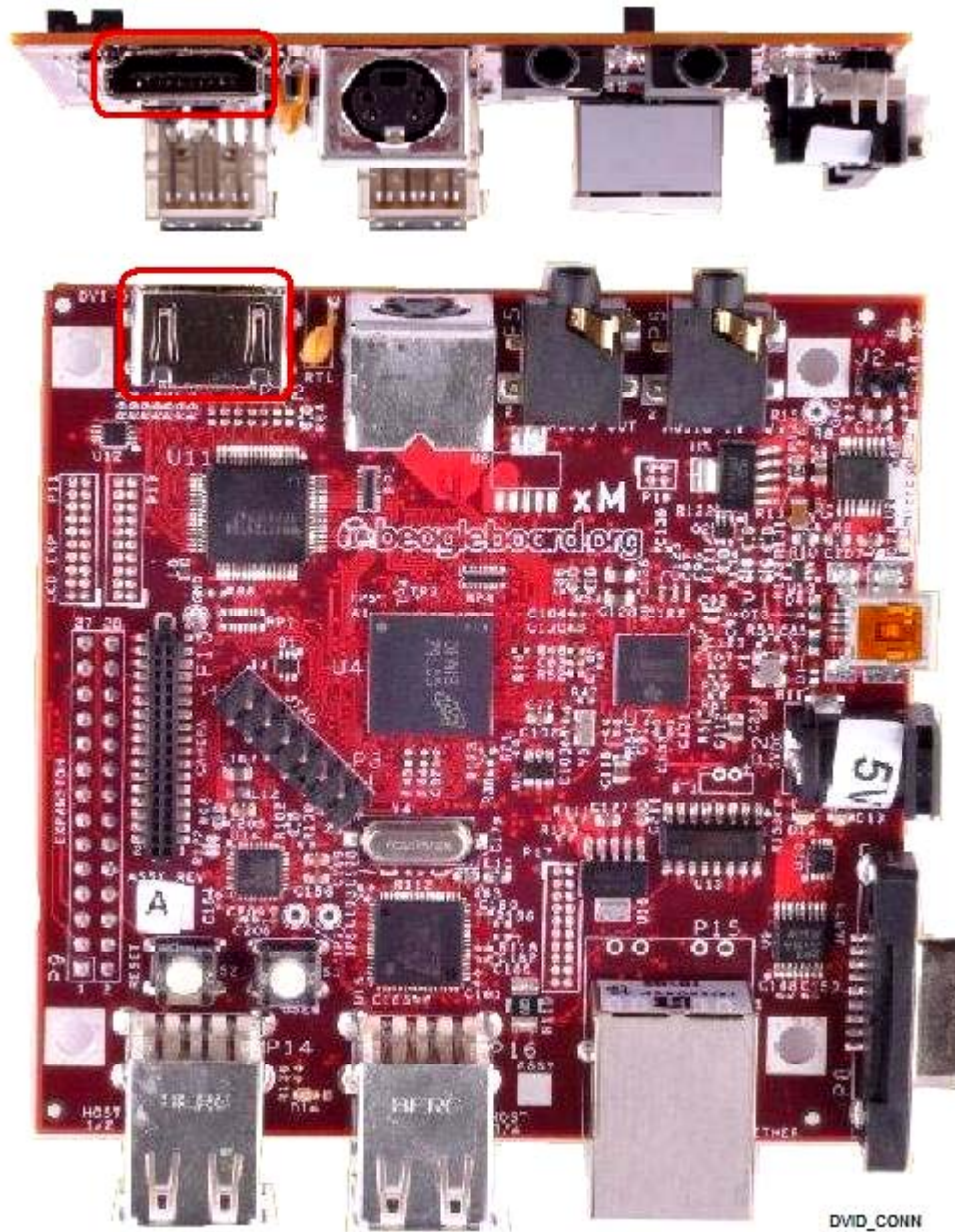


Figure 11. BeagleBoard DVI-D Connection

DO NOT PLUG IN THE DVI-D CONNECTOR TO A DISPLAY WITH THE BEAGLEBOARD POWERED ON. PLUG IN THE CABLE TO THE DISPLAY AND THEN POWER ON THE BEAGLEBOARD.

7.8 Connecting Stereo Out Cable

An external Audio output device, such as external stereo powered speakers, can be connected to the BeagleBoard via a 3.5mm jack. The audio cables are not provided with BeagleBoard, but can be obtained from just about anywhere. **Figure 12** shows where the cable connected to the stereo out jack.

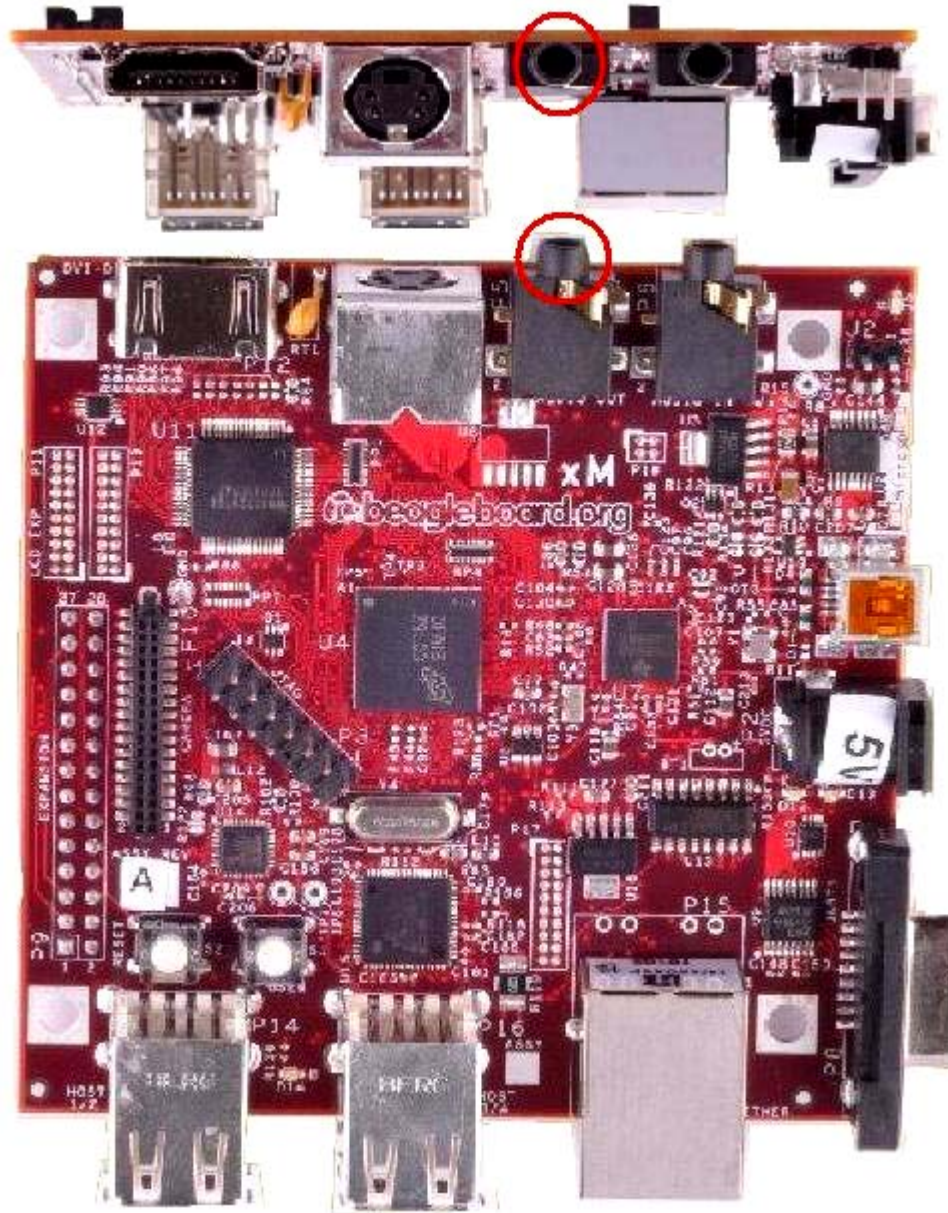


Figure 12. BeagleBoard Audio Out Cable Connection

7.9 Connecting Stereo In Cable

External Audio input devices, such as a powered microphone or the audio output of a PC or MP3 player, can be connected to the Beagle via a 3.5mm jack. The audio cables are not provided with BeagleBoard, but can be obtained from several sources. **Figure 13** shows where the cable is connected to the stereo input jack.

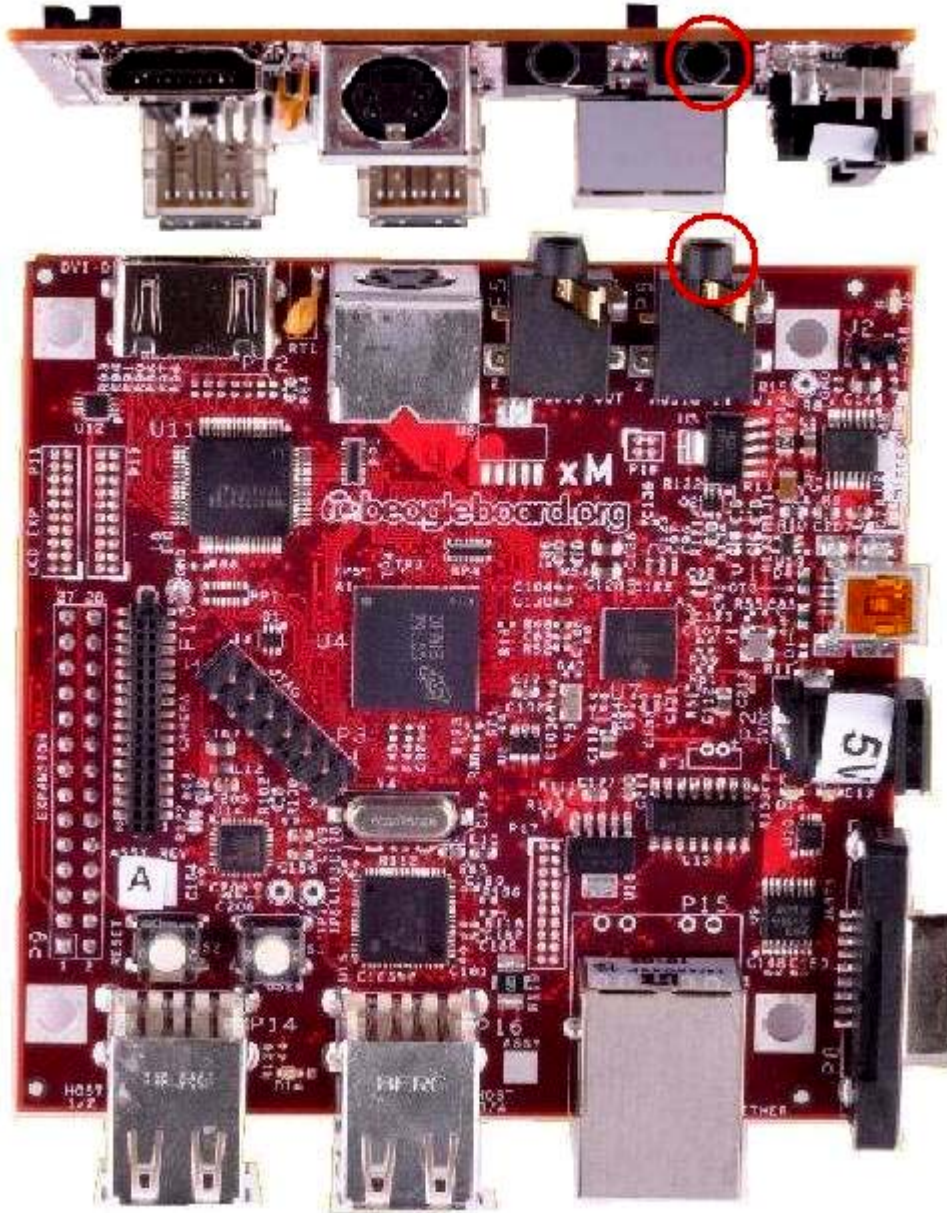


Figure 13. BeagleBoard Audio In Cable Connection

7.10 Indicator Locations

There are five green and one RED indicator on the BeagleBoard. **Figure 14** shows the location of each indicator. Each indicator will be described in more detail later in this document.

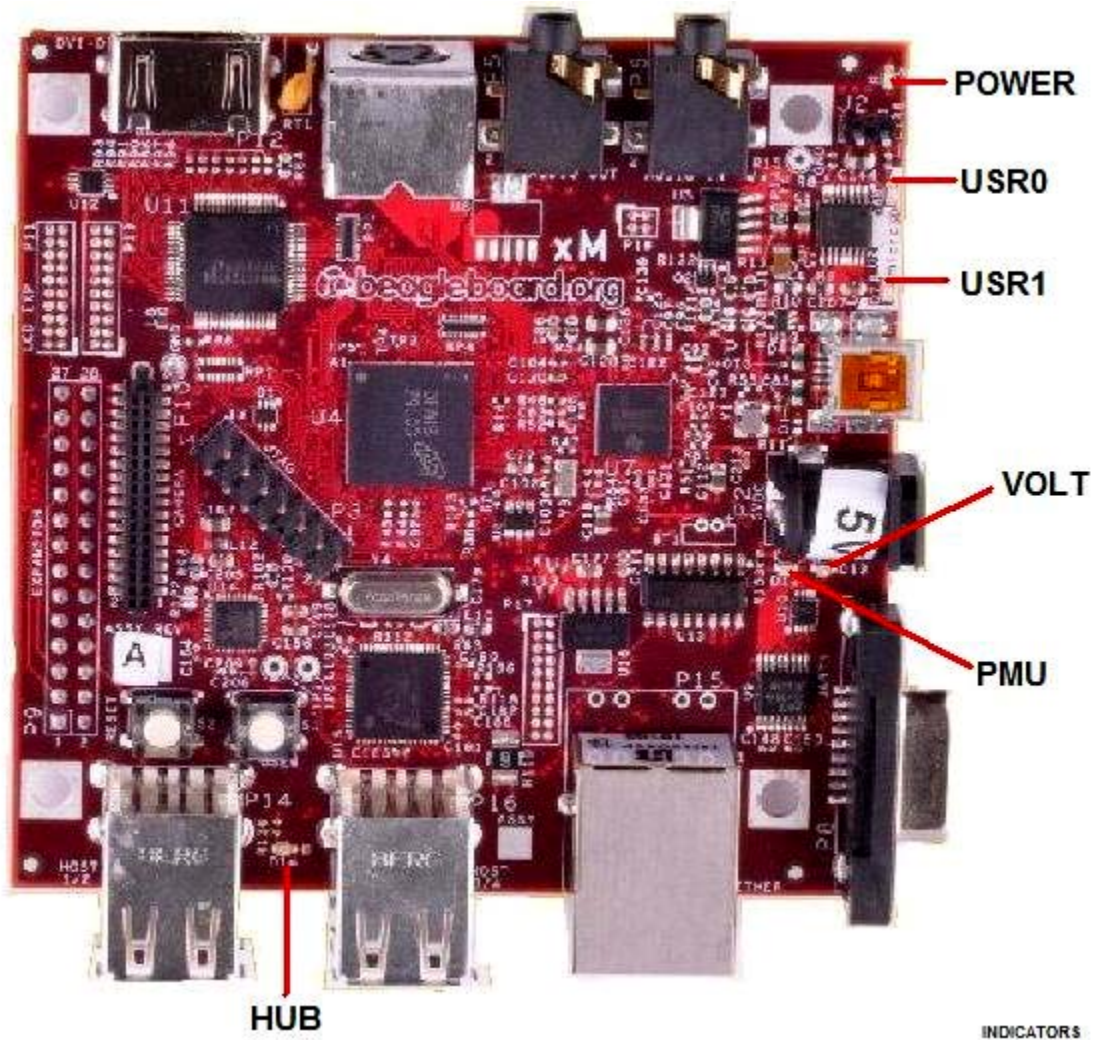


Figure 14. BeagleBoard Indicator Locations

POWER indicates that power is applied to the board.

USR0/1 can be used by the SW as needed

PMU is controlled from the power management chip and can be connected to a PWM.

VOLT will turn on when the DC voltage exceeds specification

HUB turns on when power is applied to the USB HUB.

7.11 Button Locations

There are two buttons on the BeagleBoard; the **RESET** button when pressed will force a board reset and the **USER** button which can be used by the SW for user interaction. **Figure 15** shows the location of the buttons.

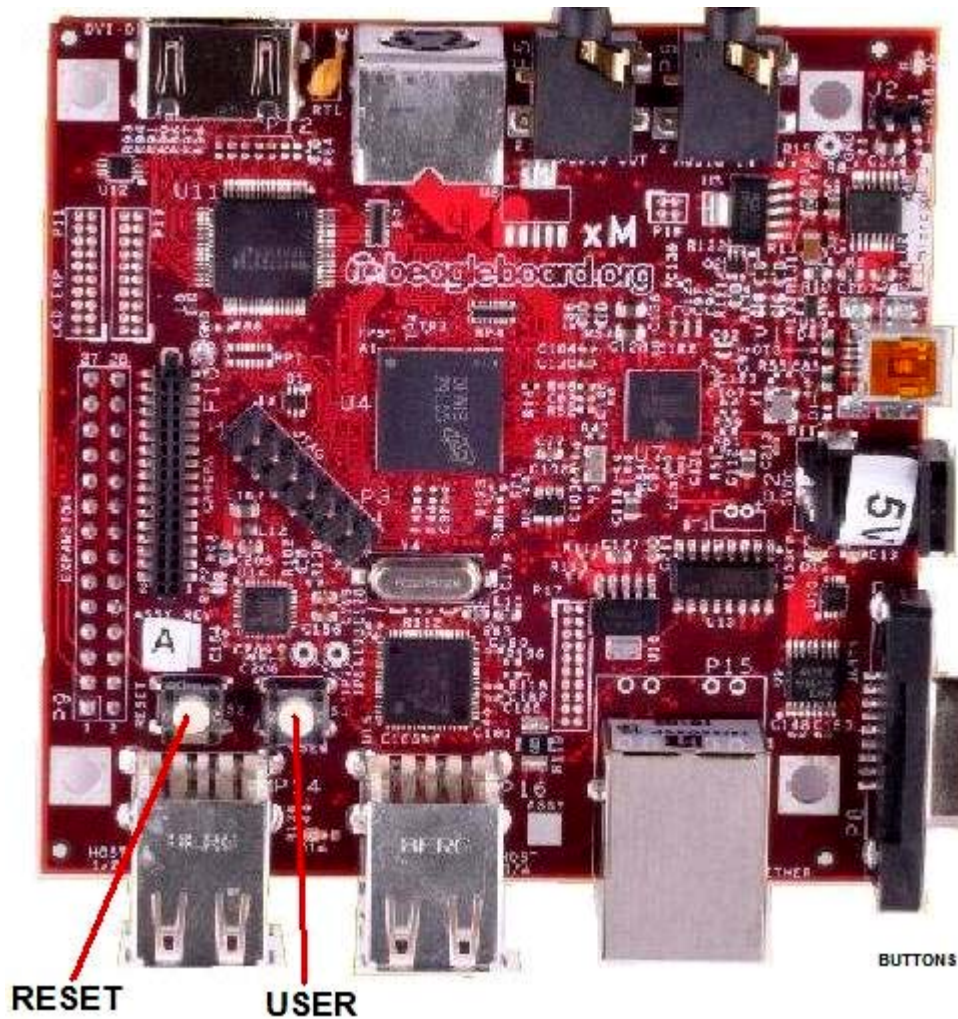


Figure 15. BeagleBoard Button Location

The User button does not affect the boot source of the board as is the case on the rev C4 version.

7.12 microSD Connection

The microSD is the primary boot source for the board. It uses a push-push connector for the insertion and removal of the microSD card. The connector is mounted on the bottom side of the board. **Figure 16** shows the location of the microSD connector.

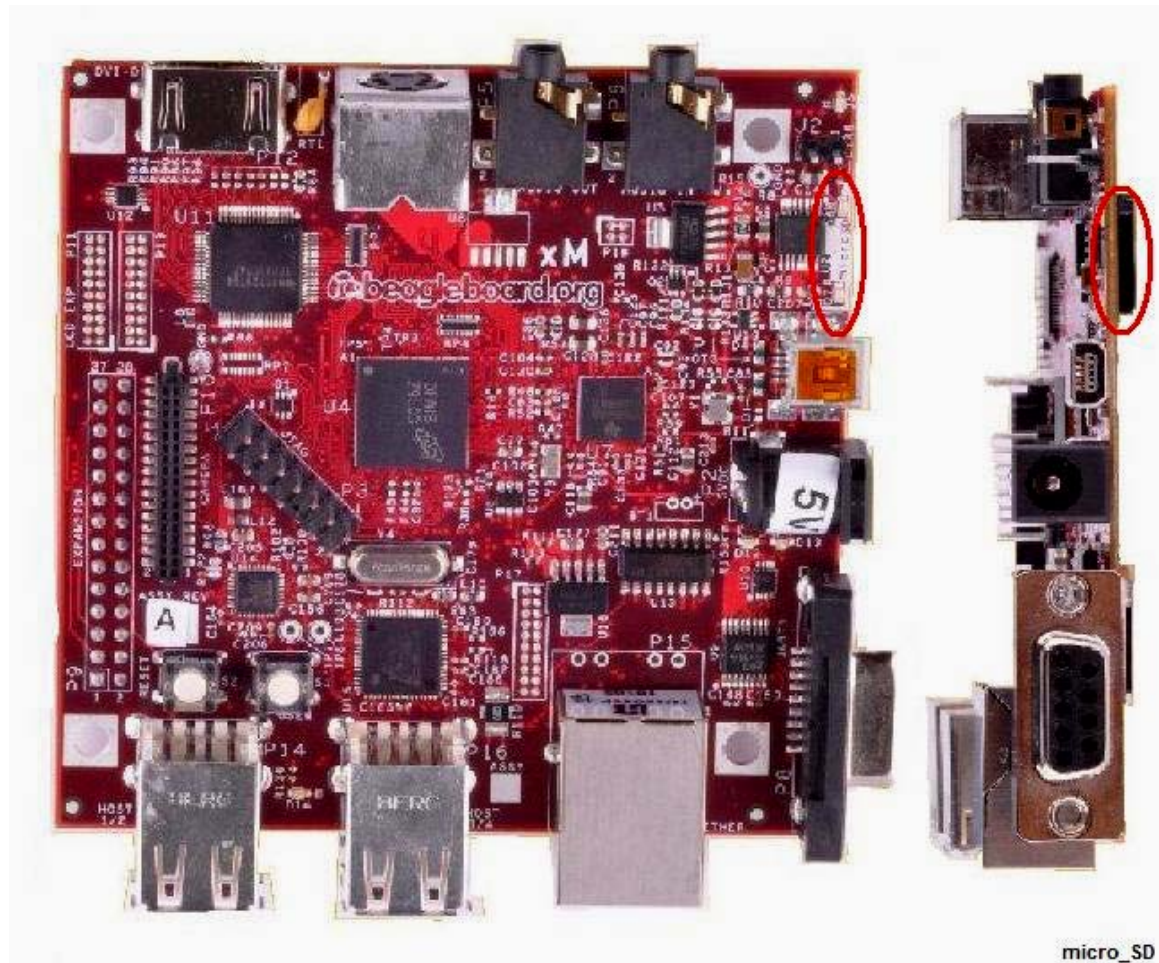


Figure 16. BeagleBoard microSD Card Location

The microSD card should be inserted with the writing on the card facing up. The white silkscreen area on top of the board works as a guide to align the card for insertion.

7.13 LCD Connection

There are two headers provided to allow access to the LCD signals on the BeagleBoard. These headers are 2x10 headers with a spacing of .05 (1.27mm) pitch. How these connectors are used is determined by the design of the adapter board that is connected to them. **Figure 17** shows the location of the LCD headers on the Beagle.

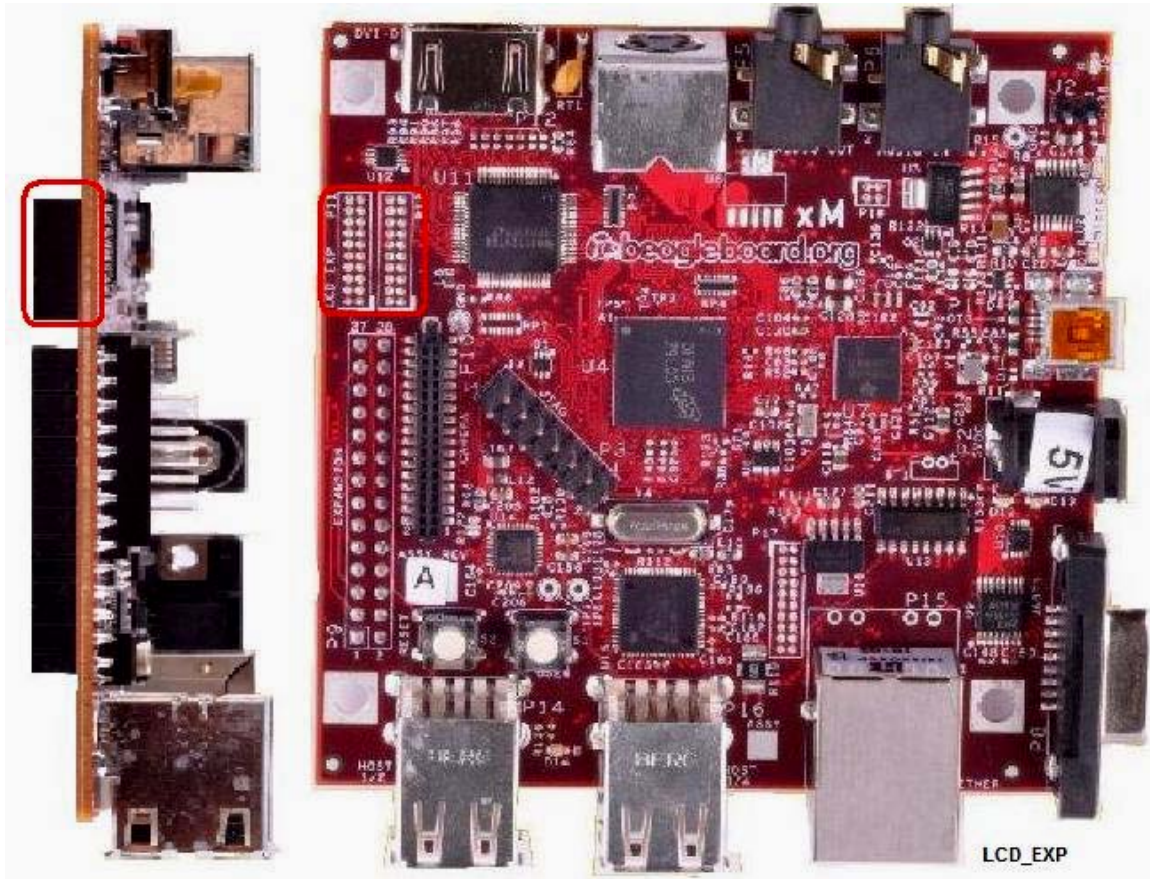


Figure 17. BeagleBoard LCD Header Location

Adapter boards are becoming available for such things as LCD panels and VGA adapters.

8.0 BeagleBoard System Architecture and Design

This section provides a high level description of the design of the BeagleBoard-xM and its overall architecture.

8.1 System Block Diagram

Figure 18 is the high level block diagram of the BeagleBoard-xM.

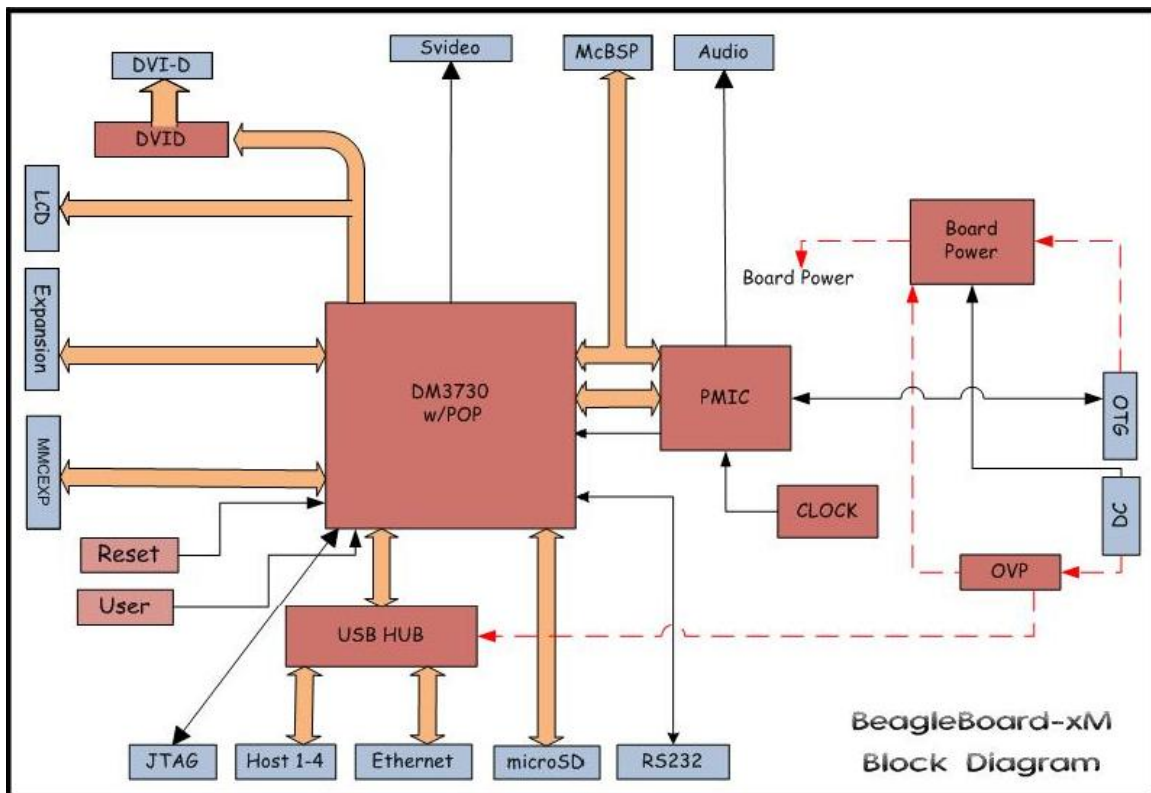


Figure 18. BeagleBoard-xM High Level Block Diagram

Figure 19 shows the location of the key components on the board.

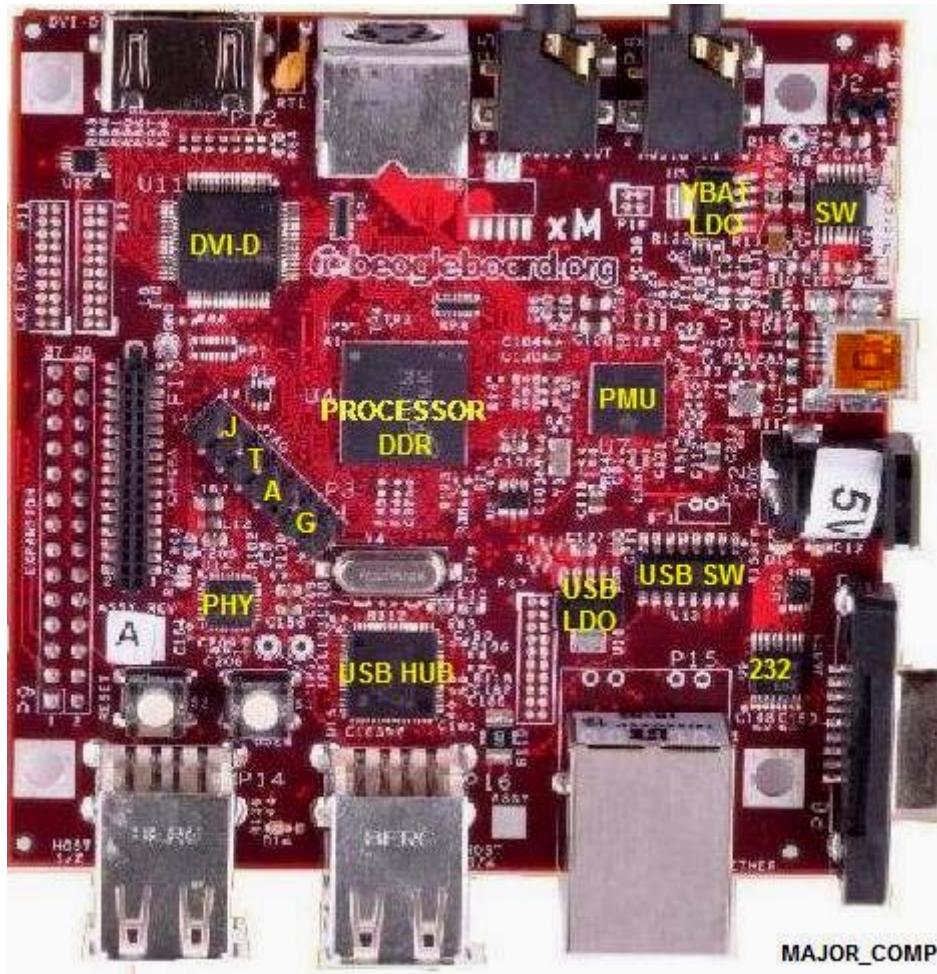


Figure 19. BeagleBoard Major Components

This remainder of this section describes in detail the architecture and design of the BeagleBoard.

You will notice certain things in this section.

- The schematic has been created for each section showing only the pertinent components and their connections.
- The pin names differ from the actual schematic. For ease of reading, the names have been truncated to only show the specific functions of that pin as used in the design.

8.2 Over Voltage Protection

A new feature found on the -xM board is the overvoltage protection circuit. The primary function of this circuit is to prevent voltage levels in excess of the specification from reaching other circuitry on the board and causing damage to the board. **Figure 21** is the diagram of the circuitry design.

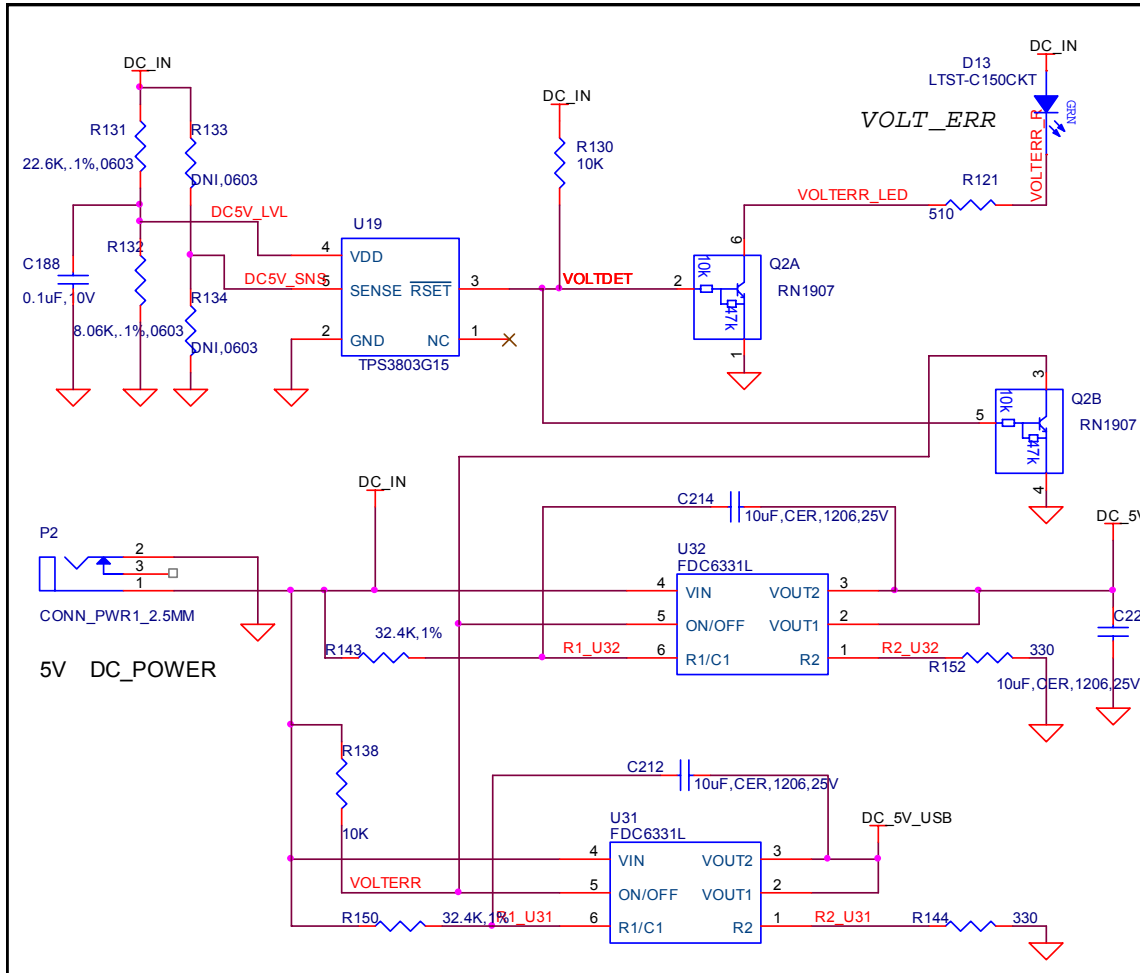


Figure 20. Overvoltage Protection

The circuit is comprised of the following key functions:

- Overvoltage detection
- Overvoltage indication
- Overvoltage shutdown

Each of these functions is discussed in the following sections.

8.2.1 Detection

The detection is handled by a **TPS3803G15** voltage detector which has a fixed-sense threshold voltage of 1.4V set by an internal voltage divider. There is another version of this device, the **TPS3803-01** has an adjustable SENSE input that can be configured by two external resistors. The design does allow for this, but the resistors are not populated and the **TPS3803G15** device is used in the design. **RESET** is asserted in the case where the VDD drops below the 1.4V level.

In this design we use the device in reverse. If the voltage exceeds 1.4 volts, the **RESET** is released which results in an error condition. The voltage divider made of **R168** and **R169** is set to where if the voltage coming in is over 5.3V a level in excess of the 1.4V is presented to the **TPS3803G15**. If detected, a release of the **RESET** signal, which is open drain, will result in the signal going high via the pullup **R158**.

8.2.2 Indication

When the error condition occurs, a red LED, **D16**, will turn on. This is driven by $\frac{1}{2}$ of **Q3**. This indicates to the user that the voltage is too high and that another power supply should be used. The LED will remain on until the overvoltage condition has been removed.

8.2.3 Shutdown

The error condition also results in $\frac{1}{2}$ of **Q3** being activated which takes the **VOLTERR** signal low. This will prevent the two **FDC6330L** load switches from turning on.

One load switch, **U35**, removes the power from the main board regulator that provides power to the board, preventing anything from receiving power. Until the overvoltage condition has been resolved, the board will not power up.

The other load switch, **U34**, removes the power from the DC_5V_USB rail which provides the power to the USB devices. This helps prevent damage to any USB device that may be plugged in at the time of power up. Until the overvoltage condition has been resolved, the board will not power up.

If there is no overvoltage condition or if the previous one has been removed, the pullup, **R160**, will turn on the two load switches connecting the power. Each of these switches can handle in excess of 2A in normal operation.

8.3 Power Conditioning

There are two possible sources of the 5V required by the BeagleBoard. It can come from the USB OTG port connected to a PC or a 5V DC supply. The USB supply is sufficient to power the BeagleBoard in some cases if the SW does not activate the USB HUB. If the USB HUB is needed, then a minimum of two PC USB ports are required to supply the power. However, depending on the load needed by the expansion port on BeagleBoard and the usage of the USB Host ports, additional power most likely will be required even in this scenario. This is where the DC supply comes in to play.

It should also be noted that if an OTG configuration is used, for example tying two BeagleBoards together via a USB OTG cable, both of the BeagleBoards must be powered by the DC supply. If the OTG port is used as a Host port, then the DC supply must also be used.

Figure 21 is the design of the power input section.

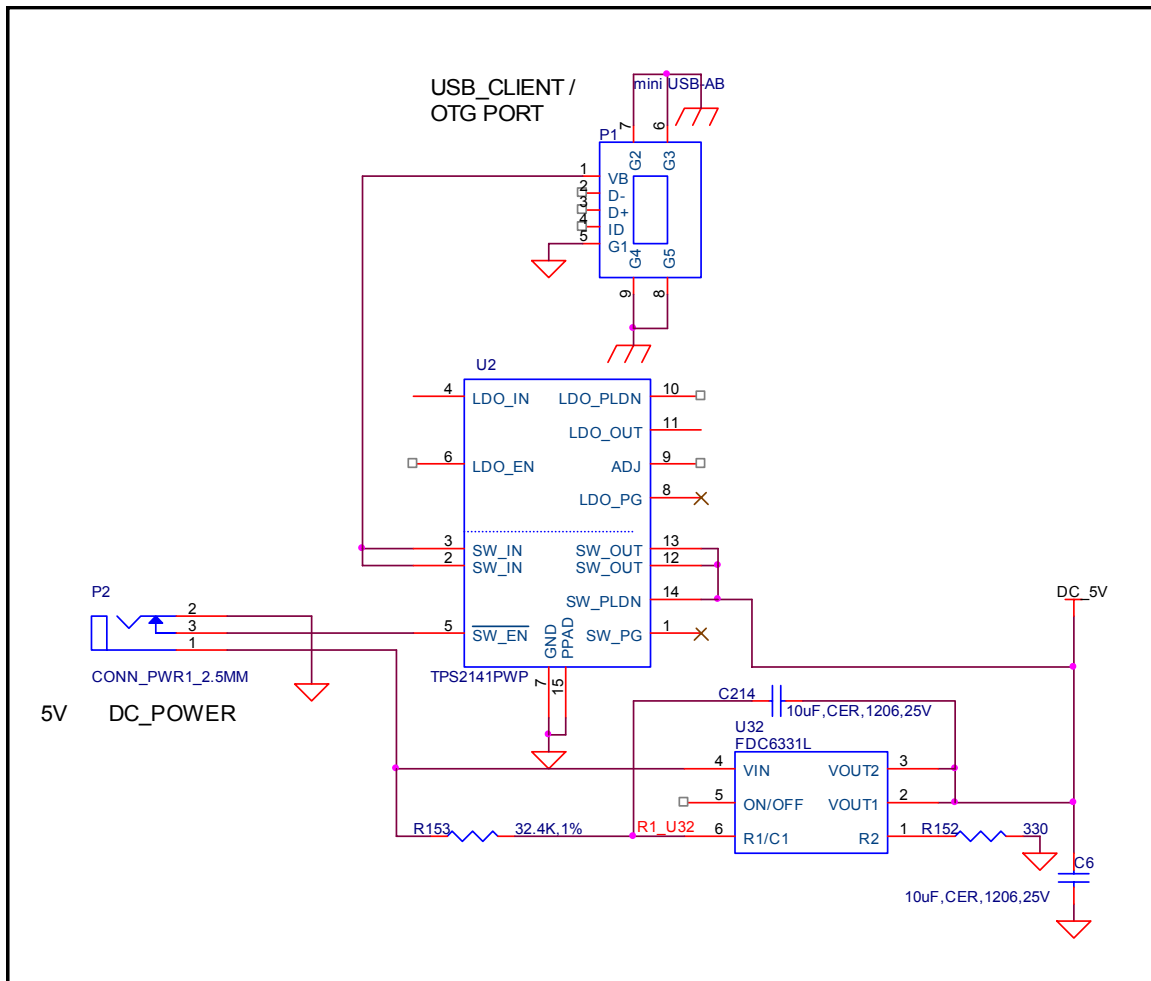


Figure 21. Input Power Section

8.3.1 USB DC Source

The USB specification requires that the current consumed prior to enumeration be limited to 100mA @ 5V (500mW). The 5V DC from the USB is routed through the **TPS2141** switch to insure that this requirement is met as uncharged capacitors on the BeagleBoard can exhibit a large current drain during start up that could exceed this requirement. The **TPS2141** is a USB 2.0 Specification-compatible IC containing a dual-current limiting power switch and an adjustable low dropout regulator (LDO). Both the switch and LDO limit inrush current by controlling the turn on slew rate. The dual-current-limiting feature of the switch allows USB peripherals to utilize high-value capacitance at the output of the switch, while keeping the inrush current low.

During turn on, the switch limits the current delivered to the capacitive load to less than 100 mA. When the output voltage from the switch reaches about 93% of the input voltage, the switch current limit increases to 800mA (minimum), at which point higher current loads can be turned on. The higher current limit provides short circuit protection while allowing the peripheral to draw maximum current from the USB bus.

When in the USB powered mode and no DC supply is connected, the **TPS2141** is enabled, allowing the power to be supplied to the board from the OTG port through the integrated switch inside the **TPS2141**.

8.3.2 Wall Supply Source

A wall supply can be used to provide power to the board. A regulated 5V DC supply of at least 1A is required and a rating of 3A is preferred, assuming that the USB ports and expansion headers are likely to be used. It needs to have a 2.1mm plug with a center hot configuration. If you are using the USB HUB or Ethernet interface, additional current is required. In the event that a higher DC load is required due to the addition of a Daughtercard or if all the USB host ports need to supply the full 500mA per port, a higher current supply can be used. The maximum current should not exceed 3A.

8.3.3 DC Source Control

Unlike when powering from the USB OTG port, in the case of the DC voltage, the current limiting is not required. As long as the DC supply is not connected, the switch for the USB is enabled. When the DC supply is plugged in, the switch is disabled because the ground is removed from **pin 5** of the **TPS2141**. This insures that the 5V from the USB is not connected by disabling the internal FET. In the case where there is no USB plugged in, there is no 5V available to be routed so the removal of the pullup in **pin 5** has no affect.

When in the DC mode of operation, the USB OTG can be used in the Host or Client modes. The **TPS65950** will be responsible for handling the supply of the **VBUS_5V0** rail

in the OTG or Host modes. As this is limited to 100mA, a powered hub must be used to support peripherals on the OTG port.

It is possible to provide 5V via the expansion connectors as would be the case from a daughter card to prevent you from having to have two DC supplies. You should be careful in doing this. If you plan to use the USB OTG port, you will need to place an unconnected connector into the DC power jack to insure that the DC from the OTG port is not shorted to the 5V supplied via the expansion connector. There is a signal called **nUSB_POWER** which if Hi (5V) indicates that there is 5V supplied by the USB OTG port, it is plugged in, and the DC dummy jack is installed. This condition could be used on the daughtercard to know that it is OK to supply power onto the expansion bus to power the board. If this signal is low, then that indicates that there is no DC power connected and there is no USB OTG port connected. For this reason, is recommended however, that a large pullup be provided on the daughtercard to make the signal HI (5V) to detect the true state of the DC jack. It is always possible that at any point a USBOTG cable could be installed. This means that in order to power the board from the expansion headers, the DC dummy jack must be installed and there is a method to verify that condition.

8.3.4 AUX 3.3V Supply

The **TPS2141** has an integrated 3.3V LDO which is being used to supply the **3.3V** as required on the BeagleBoard for the **DVI-D** interface and the **UART**. The input to the LDO is supplied by the main **DC_5V**. This insures that the power to the LDO can be supplied by either the USB or the DC wall supply and that the current measurement includes the 3.3V supply. The 3.3V supply can be turned off by activating GPIO1 on the **TPS65950** to a 1. By default the voltage is on. You will also see that the 3.3V supply powers the power LED, **D5**. If during a low power mode, the user chooses to turn of the power LED, this GPIO pin can be used to turn off the power LED. It should also be noted, that the 3.3V rail controls the serial port power, so this will be powered down as well. **Figure 22** is the AUX 3.3V Supply design.

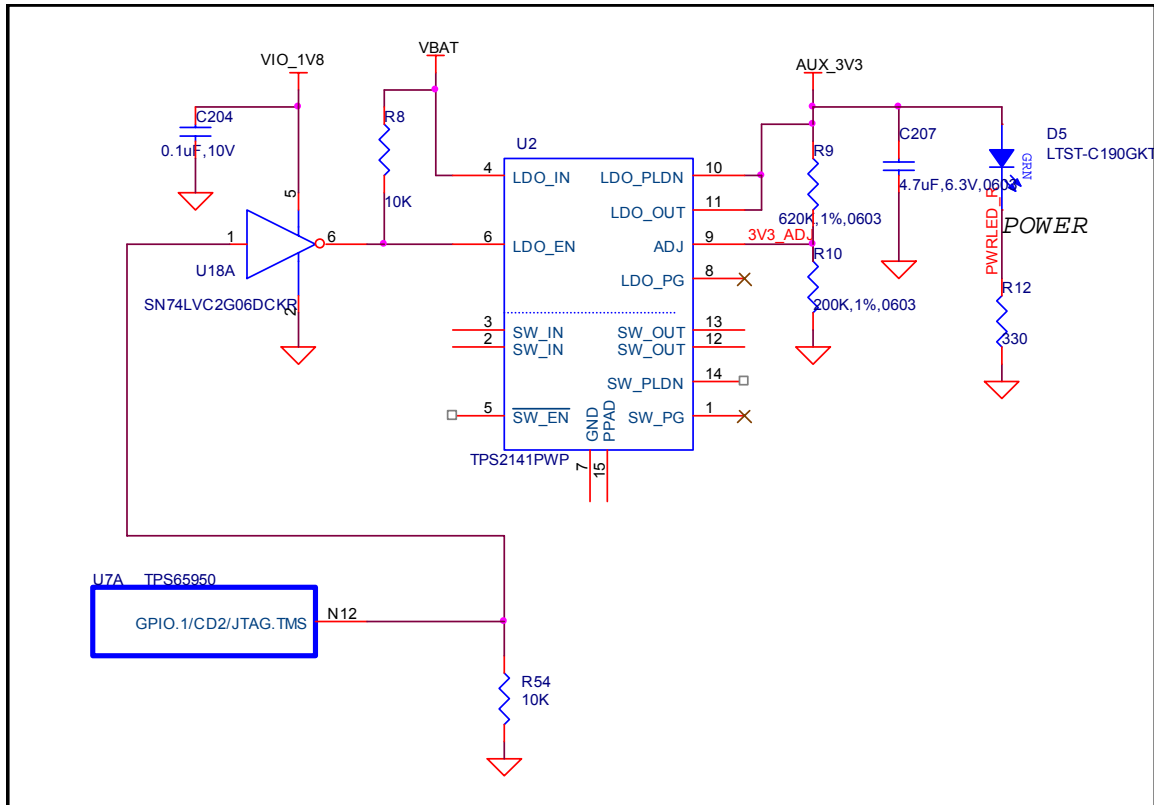


Figure 22. AUX 3.3 Power Section

8.4 Meter Current Measurement

Jumper **J2** is a header that allows for the voltage drop across the resistor to be measured using a meter, providing a way to measure the current consumption of the BeagleBoard from the main voltage rails, either USB or DC. The resistor, **R13**, is a .1 ohm resistor across which the voltage is measured. The reading you get is .1mV per mA of current. You will need to make sure you have a sensitive meter to make your measurements. Please keep in mind, that this current reading does not include any current consumed by the USB HUB, USB ports, or the Expansion headers.

8.5 Processor Current Measurement

The resistor across **J2** can also be used to measure the current of the board by reading the voltage drop across **R13** from software. There are two pairs of resistors provided on the **TPS65950** that measure the voltage on either side of **R13**. This is done via the I2C control bus to the **TPS65950** from the processor. These values along with resistance of **R13** are used to calculate the current consumption of the board. **Figure 24** is the schematic of the measurement circuitry. The maximum value that can be input to the ADC inputs is based on the setting of the **VINTANA2.OUT** voltage rail which defaults

to 2.5V. In order to prevent the voltage levels from exceeding this value a pair of resistors of 12K and 10K is used to scale the voltage down.

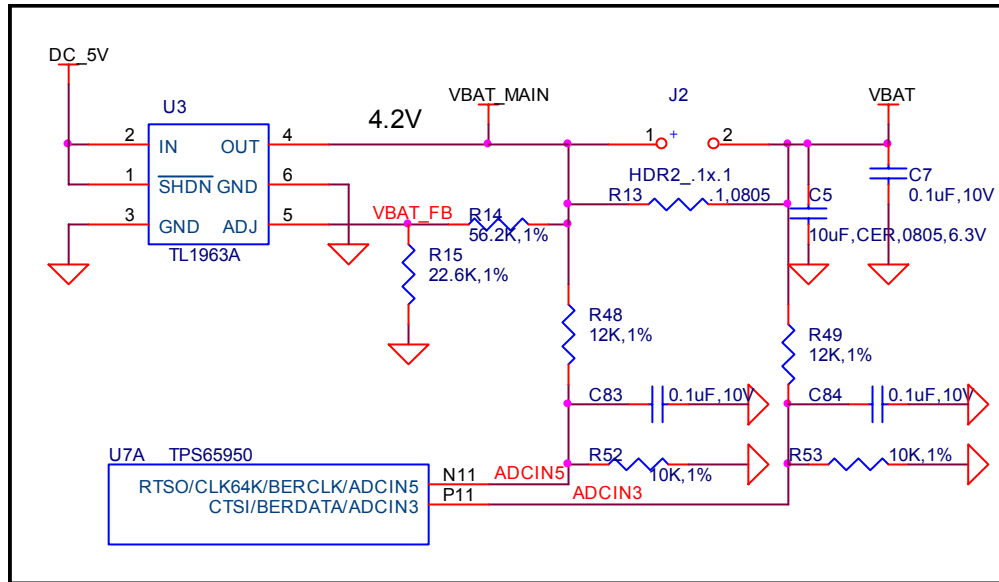


Figure 23. Processor Current Measurement

This results in a value that is 46% of the actual value. So, for a maximum value of 5.25V, the voltage read would be 2.415V which keeps it below the 2.5V point. The voltage drop across **R13** will be small as the value of the resistor is 0.1 ohms. For every 100 mA of current a voltage of .01V will be detected. In order to determine the actual power, the input voltage and the voltage drop must be measured.

8.6 VBAT Power Conditioning

This circuitry regulates the DC input to a nominal 4.2VDC level. This is required in order to meet the maximum DC voltage level as specified by the **TPS65950** Power Management device which is 4.7V. Using 4.2V gives us some margin and meets the nominal 4.2V rating of the **TPS65950**.

Figure 25 is the power conditioning section of the BeagleBoard.

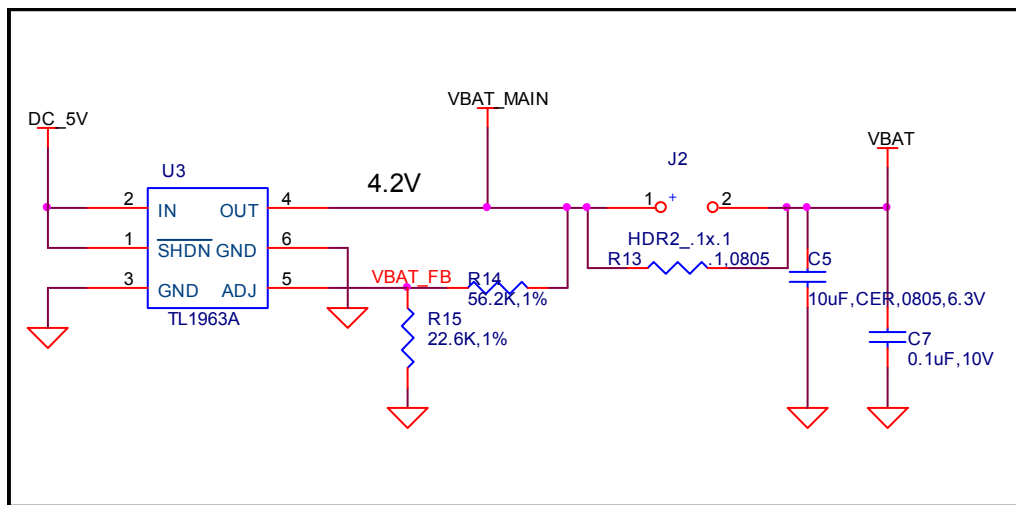


Figure 24. VBAT Power Conditioning

The **TPS65950** provides the main power rails to the board and has a maximum limit of 4.7V on its VBAT input and a nominal of 4.2V. **U3**, the **TL1963A**, is used to convert the **DC_5V**, which can come from a DC wall supply or the USB, to 4.2V to meet this requirement. The **TL1963A** is a linear low-dropout (LDO) voltage regulator and is thermal shutdown and current limit protected. It has the ability to deliver 1A of current, although this is far and above the requirements of the board. By adjusting the values of **R14** and **R15**, the actual voltage can be adjusted if needed.

8.7 TPS65950 Reset and Power Management

The **TPS65950** supplies several key functions on the BeagleBoard. This section covers a portion of those functions centered on the power and reset functions. Included in this section are:

- Main Core Voltages
- Peripheral Voltages
- Power Sequencing
- Reset
- Current measurement via SW

The other functions are covered in other sections in this document and are grouped by their overall board functions. The explanation of the various regulators found on the **TPS65950** is based upon how they are used in the board design and are not intended to reflect the overall capability of the **TPS65950** device. Please refer to the **TPS65950** documents for a full explanation of the device operation.

8.7.1 Main Core Voltages

The **TPS65950** supplies the three main voltage rails for the processor and the board:

- VOCORE_1V3 (1.2V, adjustable)
- VDD2 (1.3V)
- VIO_1V8 (1.8V)

The **VOCORE_1V3** defaults to **1.2V** at power up, but can be adjusted by software to the **1.3V** level. **Figure 26** is the interfacing of the **TPS65950** to the system as it provides the three main rails.

8.7.2 Main DC Input

The main supply to the **TPS65950** for the main rails is the **VBAT** rail which is a nominal 4.2V. Each rail has a filter cap of **10uF** connected to each of the three inputs. A **.1uF** cap is also provided for high frequency noise filtering.

8.7.3 Processor I2C Control

The various components in the **TPS65950** are controlled from the processor via the I2C interface. I2C_0 is used to control the **TPS65950** device.

8.7.4 VIO_1V8

The **VIO_1V8** rail is generated by the **TPS65950 VIO** regulator. The **VIO** output is a stepdown converter with a choice of two output voltage settings: 1.8 V or 1.85 V. The voltage is set by configuring the VSEL bit (**VIO_VSEL[0]**). When the VSEL bit is set to 0, the output voltage is 1.8 V, and when it is set to 1, the output voltage is 1.85 V.

When the **TPS65950** resets, the default value of this LDO is 1.80 V; the processor must write 1 to the VSEL field to change the output to 1.85 V. The default for the BeagleBoard is 1.8V. This regulator output is used to supply power to the system memories and I/O ports. It is one of the first power supplies to be switched on in the power-up sequence. VIO does not support the SmartReflex voltage control schemes. VIO can be put into sleep or off mode by configuring the SLEEP_STATE and OFF_STATE fields of the VIO_REMAP register.

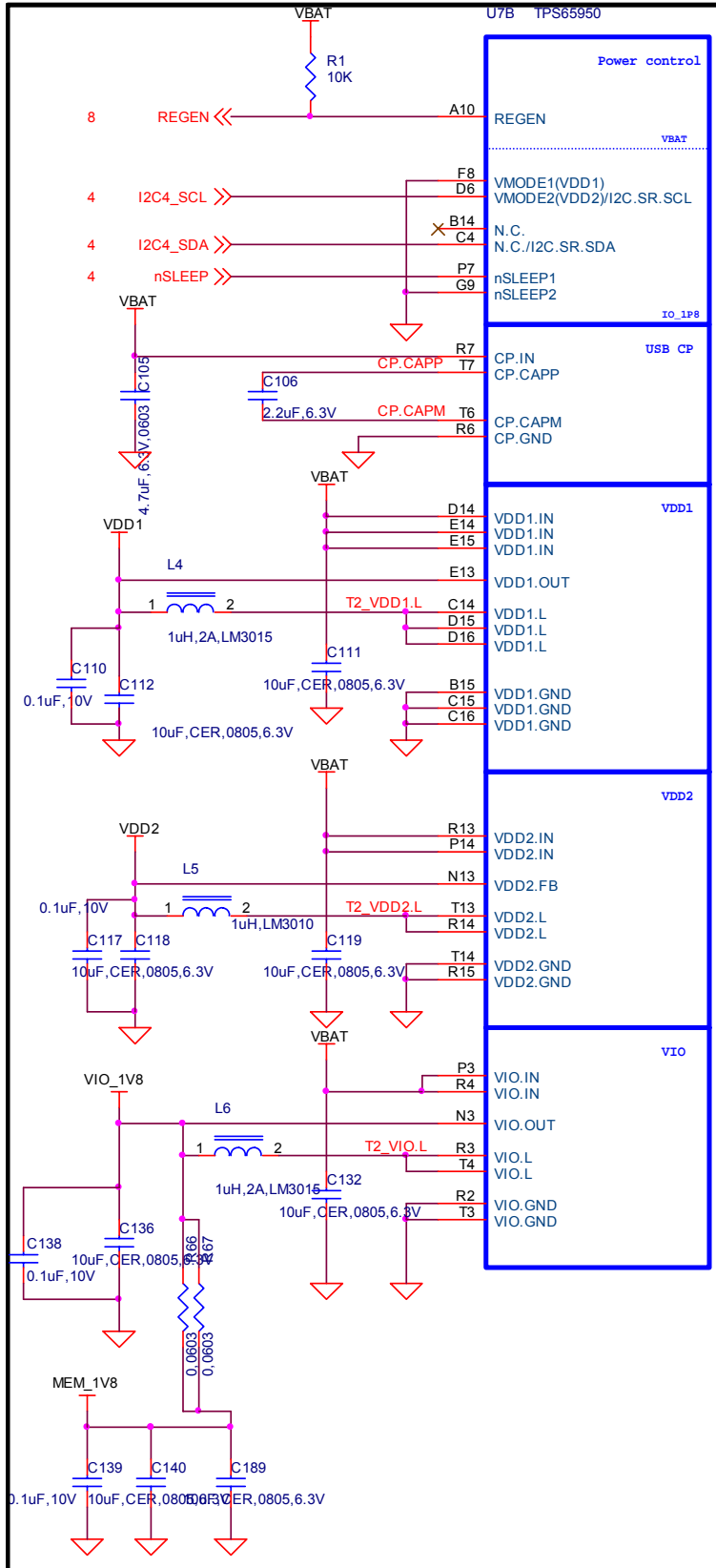


Figure 25. Main Power Rails

8.7.5 Main Core Voltages Smart Reflex

VDD1 and **VDD2** regulators on the **TPS65950** provide SmartReflex-compliant voltage management. The SmartReflex controller in the processor interfaces with the **TPS65950** counterpart through the use of a dedicated **I2C** bus. The processor computes the required voltage and informs the **TPS65950** using the SmartReflex I2C interface.

SmartReflex control of the **VDD1** and **VDD2** regulators can be enabled by setting the **SMARTREFLEX_ENABLE** bit (**DCDC_GLOBAL_CFG[3]**) to 1. To perform **VDD1** voltage control through the SmartReflex interface, the **TPS65950** provides the **VDD1_SR_CONTROL** register. The **MODE** field of the **VDD1_SR_CONTROL** register can be set to 0 to put **VDD1** in an **ACTIVE** state; setting the field to 1 moves **VDD1** to a **SLEEP** state. **VDD1** output voltage can be programmed by setting the **VSEL** field of the **VDD1_SR_CONTROL** register. The **VDD1** output voltage is given by $VSEL * 12.5 \text{ mV} + 600 \text{ mV}$.

8.7.6 VOCORE_1V3

The **VOCORE_1V3** rail is supplied by the **VDD1** regulator of the **TPS65950**. The **VDD1** regulator is a 1.1A stepdown power converter with configurable output voltage between 0.6 V and 1.45 V in steps of 12.5 mV. This regulator is used to power the **AM3730** core.

The **AM3730** can request the **TPS65950** to scale the **VDD1** output voltage to reduce power consumption. The default output voltage at power-up depends on the boot mode settings, which in the case of the BeagleBoard is 1.2V. The output voltage of the **VDD1** regulator can be scaled by software or hardware by setting the **ENABLE_VMODE** bit (**VDD1_VMODE_CFG[0]**). In each of these modes, the output voltage ramp can be single-step or multiple-step, depending on the value of the **STEP_REG** field of the **VDD1_STEP[4:0]** register. The **VOCORE_1V3** rail should be set to 1.3V after boot up.

Apart from these modes, the **VDD1** output voltage can also be controlled by the **AM3730** through the SmartReflex I2C interface between the **AM3730** and the **TPS65950**. The default voltage scaling method selected at reset is a software-controlled mode. Regardless of the mode used, **VDD1** can be configured to the same output voltage in sleep mode as in active mode by programming the **DCDC_SLP** bit of the **VDD1_VMODE_CFG[2]** register to 0. When the **DCDC_SLP** bit is 1, the sleep mode output voltage of **VDD1** equals the floor voltage that corresponds to the **VFLOOR** field (**VDD1_VFLOOR[6:0]**).

8.7.7 VDD2

The **VDD2** voltage rail is generated by the **TPS65950** using the **VDD2** regulator. The **VDD2** regulator is a stepdown converter with a configurable output voltage of between

0.6 V and 1.45 V and is used to power the processor core. **VDD2** differs from **VDD1** in its current load capabilities with an output current rating of 600 mA in active mode.

The **VDD2** provides different voltage regulation schemes. When **VDD2** is controlled by the **VMODE2** signal or with the SmartReflex interface, the range of output voltage is 0.6 V to 1.45 V. The use of the **VMODE2** signal and the **VDD2_VMODE_CFG**, **VDD2_STEP**, **VDD2_FLOOR**, and **VDD2_ROOF** registers is similar to the use of the corresponding signals and registers for **VDD1**. **VDD2** shares the same SmartReflex I2C bus to provide voltage regulation. The **VDD2_SR_CONTROL** register is provided for controlling the **VDD2** output voltage in SmartReflex mode.

When the **VDD2** is used in software-control mode, the **VSEL** (**VDD2_DEDICATED**[4:0]) field can be programmed to provide output voltages of between 0.6 V and 1.45 V. The output voltage for a given value of the **VSEL** field is given by $VSEL * 12.5 \text{ mV} + 600 \text{ mV}$. If the **VSEL** field is programmed so that the output voltage computes to more than 1.45 V, the **TPS65950** sets the **VDD2** output voltage to 1.5 V.

8.8 Peripheral Voltages

There are 10 additional voltages used by the system that are generated by the **TPS65950**. These are:

- **VDD_PLL2**
- **VDD_PLL1**
- **VDAC_1V8**
- **VDD_SIM**
- **VMMC2**
- **VDD_VMMC1**
- **CAM_2V8**
- **CAM_1V8**
- **USB_1V8**
- **EXP_VDD**

Figure 27 shows the peripheral voltages supplied by the **TPS65950**.

8.8.1 VDD_PLL2

This programmable LDO is used to power the processor PLL circuitry. The **VPLL2** LDO can be configured through the I2C interface to provide output voltage levels of 1.0 V, 1.2 V, 1.3 V, or 1.8 V, based on the value of the **VSEL** field (**VPLLI_DEDICATED**[3:0]). On the board this rail is used to power DVI output for pins **DSS_DATA**(0:5), **DSS_DATA**(10:15) and **DSS_DATA**(22:23). The **VPLL2** must be set to 1.8V for proper operation of the **DVI-D** interface.

8.8.2 VDD_PLL1

The VPLL1 programmable LDO regulator is low-noise, linear regulator used for the processor PLL supply. The VDD_PLL1 rail is initialized to 1.8V.

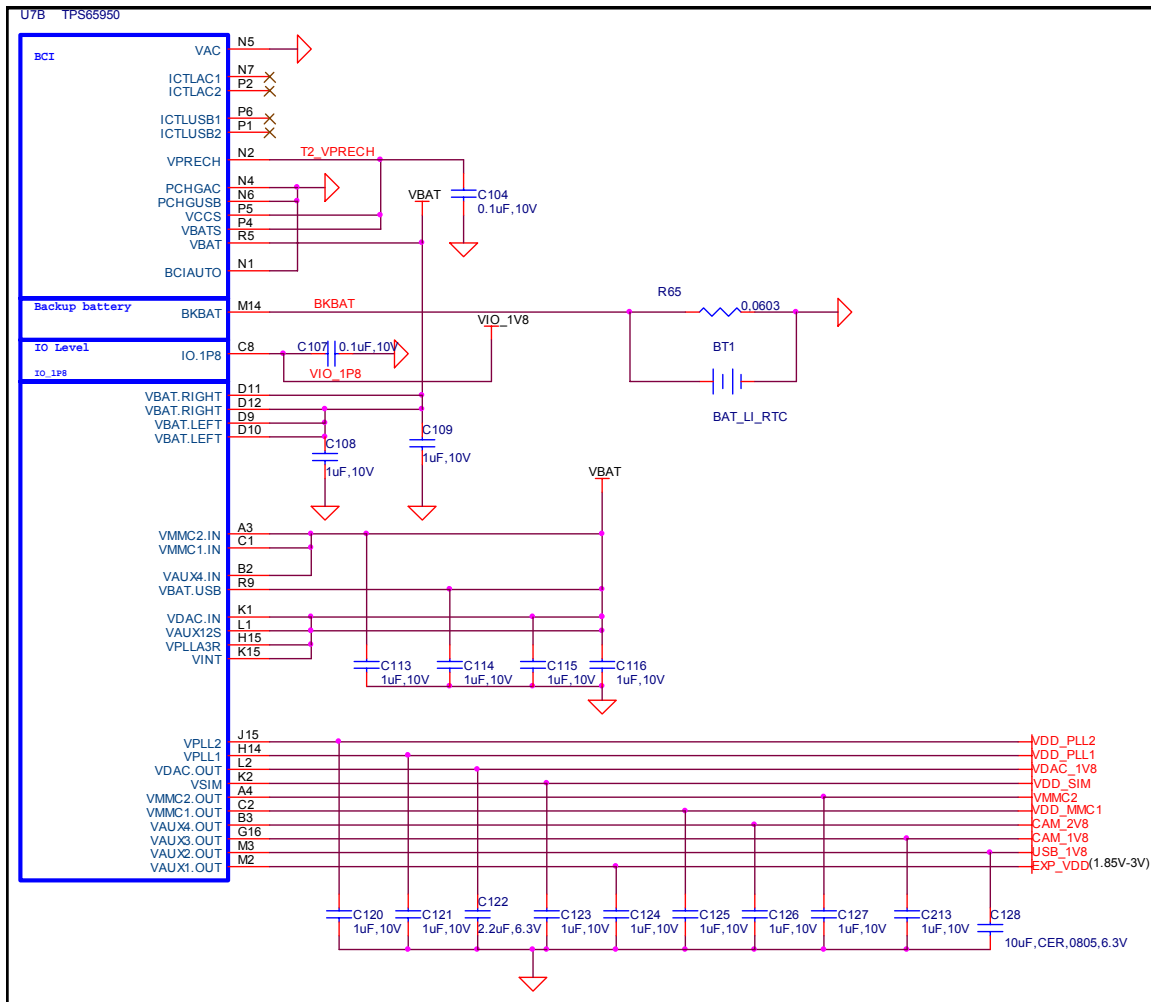


Figure 26. Peripheral Voltages

8.8.3 VDAC_1V8

The VDAC programmable LDO regulator is a high-PSRR, low-noise, linear regulator that powers the AM3730 dual-video DAC. It is controllable with registers via I2C and can be powered down if needed. The VDAC LDO can be configured to provide 1.2V, 1.3V, or 1.8V in on power mode, based on the value of the VSEL field (VDAC_DEDICATED[3:0]). The VDAC_1V8 rail should be set to 1.8V for the BeagleBoard.

8.8.4 VDD_SIM

This voltage regulator is a programmable, low dropout, linear voltage regulator supplying the bottom 4 bits of the 8 bit **SD/MMC** card slot. The **VSEL** field (**VSIM_DEDICATED**[3:0]) can be programmed to provide output voltage of 1.0 V, 1.2 V, 1.3 V, 1.8 V, 2.8 V, or 3.0 V and can deliver up to 50mA. The default output voltage of this LDO as directed by the **TPS65950** boot pins is 1.8V.

8.8.5 VMMC2

The **VMMC2** rail uses the **VMMC2.OUT** rail from the **TP65950**. **VMMC2** is adjustable from 1.85 to 3.15V and can deliver up to 100mA of current. **VMMC2** is provided as an auxiliary voltage rail on **P17**, the Auxiliary Access Header. The proper setting of this rail is determined by the application and the HW supplied that connects to **P17**.

8.8.6 VDD_VMMC1

The **VMMC1** LDO regulator is a programmable linear voltage converter that powers the **MMC1** slot and includes a discharge resistor and overcurrent protection (short-circuit). This LDO regulator can also be turned off automatically when the **MMC** card extraction is detected. The **VMMC1** LDO is powered from the main **VBAT** rail. The **VMMC1** rail defaults to 3.0V as directed by the **TPS65950** boot pins and will deliver up to 220mA. It can be set to 3.0V in the event 3V cards are being used.

8.8.7 CAM_2V8

This rail powers the optional camera module and uses the **VAUX4.OUT** rail from the **TPS65950**. **VAUX4** is adjustable from .7 to 2.8V and can deliver up to 200mA of power. This railed should be set to 1.8V for proper operation of the camera module. See the camera module section for more information.

8.8.8 CAM_1V8

This rail powers the optional camera module and uses the **VAUX3.OUT** rail form the **TPS65950**. **VAUX4** is adjustable form 1.5 to 2.8V and can deliver up to 100mA of power. This railed should be set to 1.8V for proper operation of the camera module. See the camera module section for more information.

8.8.9 USB_1V8

The **VAUX2** LDO regulator is a programmable linear voltage converter that powers the 1.8V I/O rail of the **USB PHY** and includes a discharge resistor and overcurrent

protection (short-circuit). The VAUX2 LDO is powered from the main VBAT rail. The VMMC1 rail defaults to 3.0V as directed by the TPS65950 boot pins and will deliver up to 220mA. The voltage rail is labeled VDD_EHCI on the schematic.

8.8.10 EXP_VDD

The EXP_VDD rail uses the VAUX1.OUT rail from the TP65950. EXP_VDD is adjustable from 2.5 to 3.0V and can deliver up to 200mA of current. EXP_VDD is provided as an auxiliary voltage rail on P13, the LCD Expansion Header. The proper setting of this rail is determined by the application and the HW supplied that connects to P13.

8.9 Other Signals

This section describes other signals in the design that have not been categorized.

8.9.1 Boot Configuration

The boot configuration pins on the TPS65950 determine the power sequence of the device. For the AM3730 support, the boot pin configuration is fixed at:

- BOOT0 tied to VBAT
- BOOT1 tied to Ground.

8.9.2 RTC Backup Battery

An optional battery to backup for the Real Time Clock that is in the TPS65950 is provided for in the design. The board does not come equipped with the battery. The battery can be purchased from DigiKey or other component suppliers. When the battery is not installed, R66 must be installed. You must make sure that prior to installing the battery that R66 is removed.

Refer to section 9.11 for information on the battery selection and installation.

8.9.3 Power Sequencing

Based on the boot configuration pins, the **TPS65950** knows the type of OMAP processor that it needs to support, in this case the processor. The voltages are ramped in a sequence that is compatible with the processor. **Figure 27** is the sequence in which the power rails, clocks, and reset signal come up.

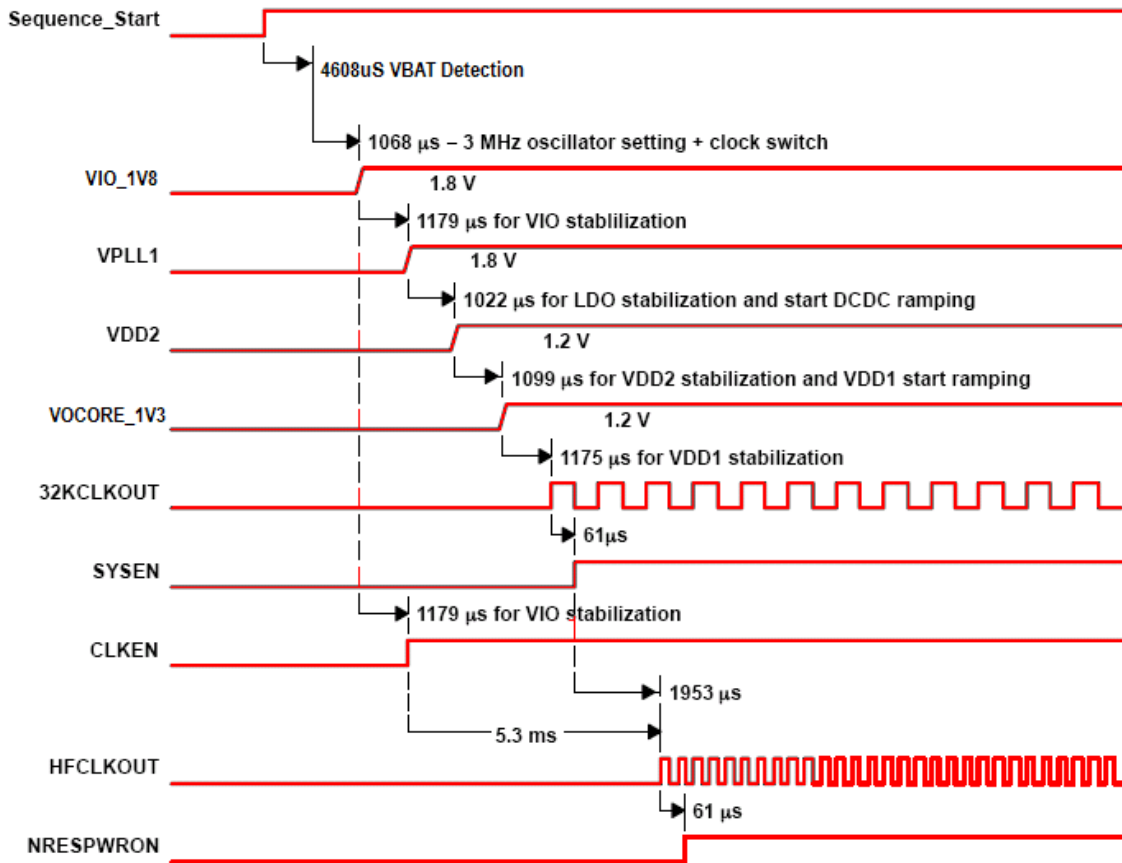


Figure 27. Power Sequencing

8.9.4 Reset Signals

The BeagleBoard uses three distinct reset circuits:

- Warm Reset
- Cold Reset
- User Reset

Figure 28 shows the connections for the Reset interfaces.

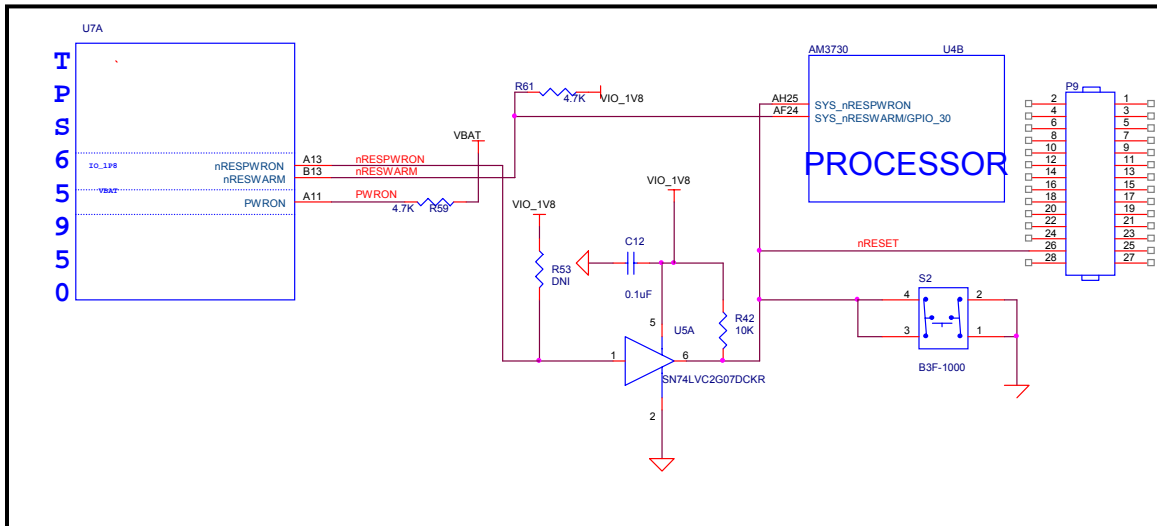


Figure 28. Reset Circuitry

8.9.4.1 Warm Reset

The warm reset is generated by the processor on power up. The **nRESWARM** signal is a bidirectional reset. When an internal reset occurs, **nRESWARM** goes low and resets all the peripherals and the **TPS65950**. The **TPS65950** can be configured to perform a warm reset of the device to bring it into a known defined state by detecting a request for a warm reset on the **nRESWARM** pin. The minimum duration of the pulse on the **nRESWARM** pin should be two 32-kHz clock cycles. The **nRESWARM** output is open-drain; consequently, an external pullup resistor is required. There is no way for the user to generate a warm reset on the BeagleBoard.

8.9.4.2 Cold Reset

On power up as shown in **Figure 27**, the **TPS65950** generates **nRESPWRON**, power on reset. The signal from the **TPS65950** is an output only and is not an open drain signal. By running the signal through a buffer, **SN74LVC2G07**, the signal becomes open drain, which requires a pullup on the signal. This will allow the **nRESPWRON** signal to be

pulled low, by pressing the reset switch **S2**, to force a reset to the **AM3730** processor and to any device on the expansion card that require a reset.

It also allows for the reset signal to be pulled low or held low for an extended time by circuitry on the expansion card if needed.

8.9.4.3 *User Reset*

The **USER RESET** button can be used to request a Warm Reset from the processor. After initialization, this pin becomes an input to the processor. By pushing the Reset button, an interrupt is generated into the processor. The software that is run as a result of this can then do whatever housekeeping is required and then send the processor into a reset mode.

8.9.4.4 *PWRON*

You will notice another signal on the **TPS65950** called **PWRON**. This signal is referenced in the **TPS65950** documentation. In the BeagleBoard design it is not used but it is pulled high to insure the desired operation is maintained.

8.9.5 **mSecure Signal**

This signal provides for protection of the **RTC registers** in the **TPS65950** by disabling that function via a control signal from the processor.

For more information on the operation on the signal, please refer to the processor **Technical Reference Manual**.

8.10 Processor

The heart of BeagleBoard is the DM3730 processor. **Figure 29** is a high level block diagram of the processor.

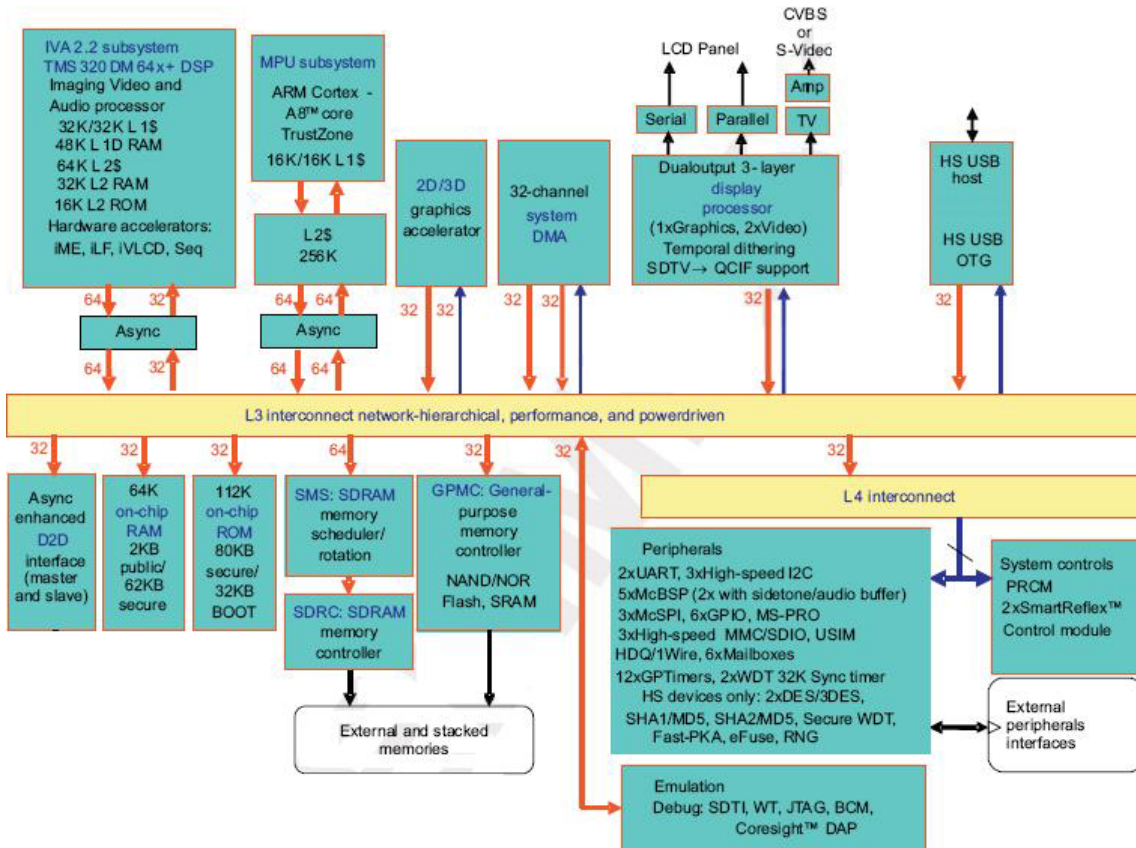


Figure 29. AM37x Block Diagram

8.10.1 Overview

The DM3730 high-performance, multimedia application device and is integrated on TI's advanced 45-nm process technology. The processor architecture is configured with different sets of features in different tier devices. Some features are not available in the lower-tier devices. For more information, refer to the Technical Reference Manual (TRM). The architecture is designed to provide best-in-class video, image, and graphics processing sufficient to various applications.

The processor supports high-level operating systems (OSs), such as:

- Windows CE
- Linux

- QNX
- Symbian
- Others

This processor device includes state-of-the-art power-management techniques required for high-performance low power products. The DM3730 supports the following functions and interfaces on the BeagleBoard:

- Microprocessor unit (MPU) subsystem based on the ARM Cortex-A8™ microprocessor
- POP Memory interface
 - 4Gb MDDR (512Mbytes)
- 24 Bit RGB Display interface (DSS)
- SD/MMC interface
- USB OTG interface
- NTSC/PAL/S-Video output
- Power management
- Serial interface
- I²C interface
- I²S Audio interface (McBSP2)
- Expansion McBSP1
- JTAG debugging interface

8.10.2 SDRAM Bus

The SDRAM bus is not accessible on the BeagleBoard. Its connectivity is limited to the POP memory access on the top of the processor and therefore is only accessible by the SDRAM memory. The base address for the DDR SDRAM in the POP device is **0x80000000**.

If you look at the -xM schematic, you will notice on page 3 there are a lot of signals labeled NA0...65. These pins are located on the bottom of the processor. In the Rev C4 processor, these pins provided access to the SDRAM bus. However, in the case of the processor on the -xM, these there are no signals on these pins.

8.10.3 GPMC Bus

The GPMC bus is not accessible on the BeagleBoard. Its connectivity is limited to the POP memory access on the top of the processor and therefore is only accessible by the NAND memory.

The memory on the GPMC bus is NAND and therefore will support the classical NAND interface. The address of the memory space is programmable.

8.10.4 DSS Bus

The display subsystem provides the logic to display a video frame from the memory frame buffer in SDRAM onto a liquid-crystal display (LCD) display via the DVI-D interface or to a standalone LCD panel via the LCD interface connectors. The logic levels of the LCD expansion connectors are 1.8V so it will require buffering of the signals to drive most LCD panels. The DSS is configured to a maximum of 24 bits, but can be used in lower bit modes if needed.

8.10.5 McBSP2

The multi-channel buffered serial port (McBSP) McBSP2 provides a full-duplex direct serial interface between the processor and the audio CODEC in the **TPS65950** using the I2S format. Only four signals are supported on the McBSP2 port. **Figure 30** is a depiction of McBSP2.

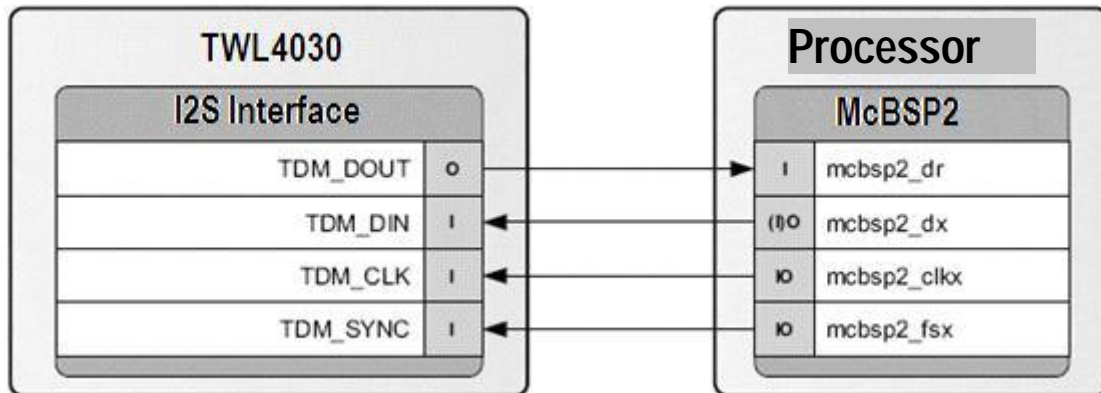


Figure 30. McBSP2 Interface

8.10.6 McBSP1

McBSP1 provides a full-duplex direct serial interface between the processor and the expansion interface. There are 6 signals supported on McBSP1, unlike the 4 signals on the other ports. **Figure 31** is a diagram of McBSP1.

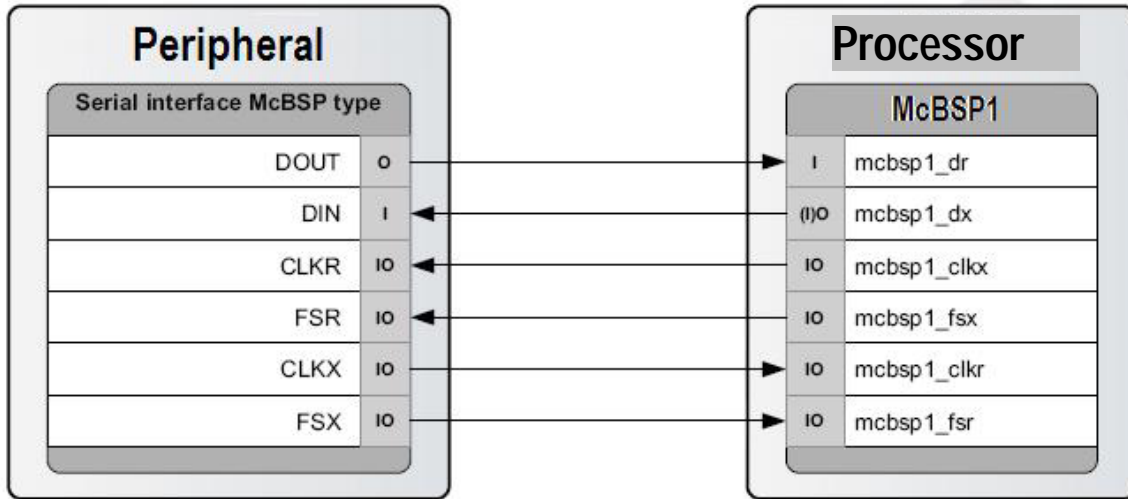


Figure 31. McBSP1 Interface

8.10.7 McBSP3

McBSP3 provides a full-duplex direct serial interface between the processor and the expansion interface. **Figure 32** is a diagram of McBSP3.

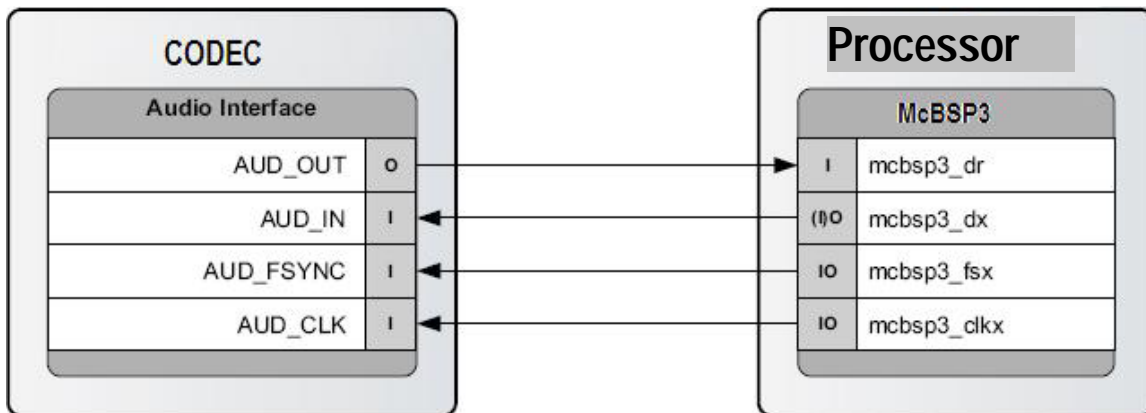


Figure 32. McBSP3 Interface

8.10.8 Pin Muxing

On the processor, the majority of pins have multiple configurations that the pin can be set to. In essence, the pin can become different signals depending on how they are set in the software. In order for the BeagleBoard to operate, the pins used must be set to the correct signal. In some cases, the default signal is the correct signal. Each pin can have a maximum of 8 options on the pin. This is called the pin mode and is indicated by a three

bit value (0:3). In the case of the signals going to the expansion connector, the settings required for those pins depends on how they are to be used. For an explanation of the options, please refer to the Expansion Header section. Each pin can be set to a different mode independent of the other pins on the connector.

Table 4 is a list of all of the signals used on the processor for the BeagleBoard and the required mode setting for each pin. Where the default setting is needed, it will be indicated. The USER notation under mode indicates that this is an expansion signal and can be set at the discretion of the user. A FIXED indicates that there is only one function for that signal and that it cannot be changed,

Table 4. Processor Pin Muxing Settings

Signal	Mode
DSS	Default
MMC1	Default
MMC2	User
UART3	Default
GPMC	Default
UART1	Default
I2C1	Default
I2C2	Default
I2C3	Default
I2C4	Default
JTAG	FIXED
TV_OUT	Default
SYS_nRESPWRON	Default
SYS_nRESWARM	Default
SYS_nIRQ	Default
SYS_OFF	Default
SYS_CLKOUT	Default
SYS_CLKOUT2	Default
SYS_CLKREQ	Default
SYS_XTALIN	FIXED
GPIO_149	4
GPIO_150	4
McBSP1	Default
McBSP2	User
McBSP3	Default
GPIO_171	4
GPIO_172	4

8.10.9 GPIO Mapping

There are a number of GPIO pins from the processor that are used on the BeagleBoard design. **Table 5** shows which of these GPIO pins are used in the design and whether they are inputs or outputs. While GPIO pins can be used as interrupts, the table only covers the GPIO pin mode. If it is an interrupt, then it is covered in the interrupt section.

Table 5. Processor GPIO Pins

OMAP PIN	INT/GPIO	I/O	Signal	USAGE
AA9	GPIO_149	O	LED_GPIO149	Controls User LED0
W8	GPIO_150	O	LED_GPIO149	Controls User LED1
AG9	GPIO_23	I	MMC1_WP	SD/MMC card slot Write protect
J25	GPIO_170	O	DVI_PUP	Controls the DVI-D interface. A Hi = DVI-D enabled.
AE21	GPIO_7	I	SYSBOOT_5	Used to put the device in the boot mode or as a user button input

Other signals, such as those that connect to the expansion connector, may also be set as a GPIO pin. For information on those, refer to the Expansion Connector section.

8.10.10 Interrupt Mapping

There are a small number of pins on the processor that act as interrupts. Some of these interrupts are connected to the TPS65950 and their status is reflected through the main TPS65950 interrupt. **Table 6** lists the interrupts.

Table 6. Processor Interrupt Pins

TPS65950 Pin	Processor PIN	INT/GPIO	USAGE
	AF26	SYS_nIRQ	Interrupt from the TPS65950
	AH8	GPIO_29	SD Write protect lead. Can be polled or set to an interrupt.
P12		GPIO0	MMC1 card detect input. Goes to the processor over the SYS_nIRQ pin.

8.11 POP Memory Device

The processor uses what is called POP (Package-on-Package) memory. The memory is a MCP (Multi Chip Package) that contains a dual Mobile DDR SDRAM stack. **Figure 33** shows the POP Memory concept.



Figure 33. POP Memory

The Memory device mounts on top of the processor. The configuration used on the board is a 200MHz 4Gb MDDR SDRAM device from Micron.

8.12 System Clocks

There are three main clocks needed for the operation of the board, 32KHz, 26MHz and McBSP_CLKS. **Figure 34** shows the components that make up the System Clocks. There are additional clocks needed elsewhere in the system, such as USB HUB, but those are discussed in separate sections.

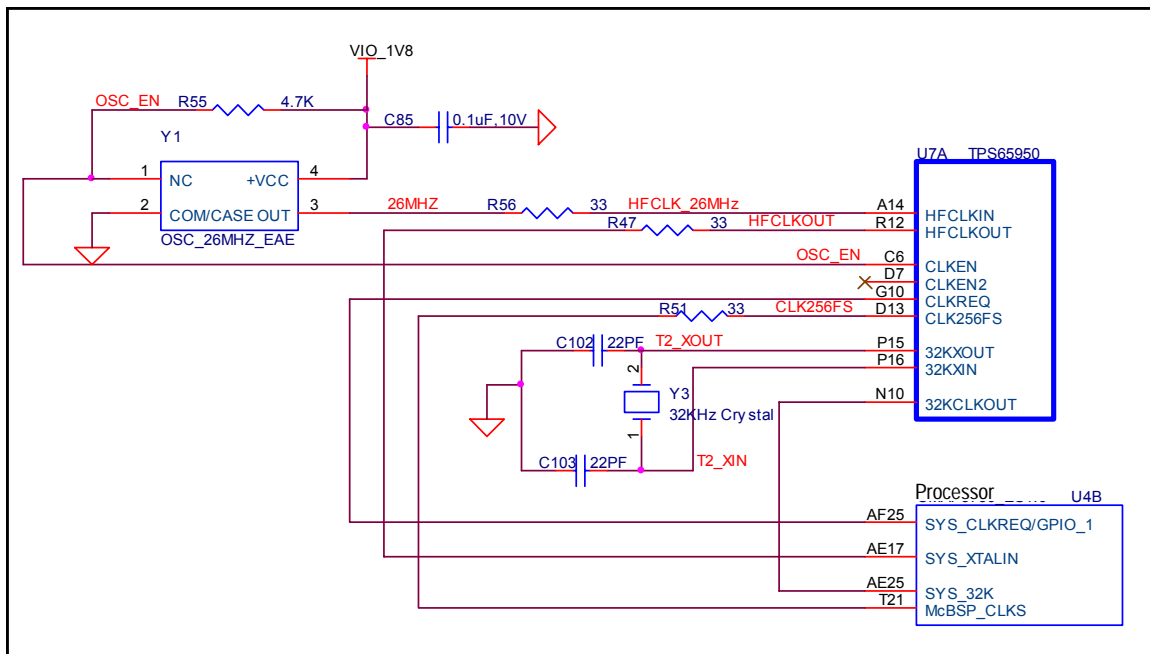


Figure 34. System Clocks

8.12.1 32KHz Clock

The 32KHz clock is needed for the TPS65950 and the processor and is provided by the **TPS65950** via the external 32KHz crystal, **Y2**. The **TPS65950** has a separate output from the crystal to drive the processor that buffers the resulting 32-kHz signal and provides it as **32KCLKOUT**, which is provided to the processor on ball **AE25**. The default mode of the **32KCLKOUT** signal is active, but it can be disabled if desired under SW control.

The 32.768-kHz clock drives the RTC embedded in the **TPS65950**. The RTC is not enabled by default; the host processor must set the correct date and time to enable the RTC.

8.12.2 26MHz Clock

This section describes the 26MHz clock section of the BeagleBoard.

8.12.2.1 26MHz Source

The BeagleBoard is designed to support two suppliers of the 26MHz oscillator. The **26MHz** clock is provided by an onboard oscillator, **Y1**. The **TPS65950** receives the external **HFCLKIN** signal on ball **A14** and uses it to synchronize or generate the clocks required to operate the **TPS65950** subsystems. The **TPS65950** must have this clock in order to function to the point where it can power up the BeagleBoard. This is the reason the **26MHz** clock is routed through the TPS65950.

8.12.2.2 TPS65950 Setup

When the **TPS65950** enters an active state, the Processor must immediately indicate the **HFCLKIN** frequency (26 MHz) by setting the **HFCLK_FREQ** bit field (bits [1:0]) in the **CFG_BOOT** register of the **TPS65950**. **HFCLK_FREQ** has a default of being not programmed, and in that condition, the USB subsection does not work. The three DCDC switching supplies (**VIO**, **VDD1**, and **VDD2**) operate from their free-running 3-MHz (RC) oscillators, and the **PWR** registers are accessed at a default 1.5-M byte. **HFCLK_FREQ** must be set by the processor during the initial power-up sequence. On the BeagleBoard, this is done by the internal boot ROM on startup.

8.12.2.3 Processor 26MHz

The 26MHz clock for the processor is provided by the TPS65950 on ball **R12** through **R38**, a 33 ohm resistor is providing to minimize any reflections on the clock line. The clock signal enters via ball **AE17** on the **PROCESSOR**.

8.12.3 McBSP_CLKS

An additional clock is also provided by the **TPS65950** called **McBSP_CLKS**. This clock is provided to the PROCESSOR in order to insure synchronization of the I2S interface between the processor and the **TPS65950**.

8.13 USB OTG Port

The BeagleBoard has a USB OTG (On-the-Go) port. It can be used as an OTG port, Client port, or Host port. The main use is as a client port, as that is the mode that will supply the power needed to power the BeagleBoard. With the addition of the USB Host ports, the need to use three OTG port as a Host, is not really needed.

NOTE: In order to use the OTG in the Host mode, the BeagleBoard must be powered from the DC supply.

8.13.1 USB OTG Overview

USB OTG is a supplement to the USB 2.0 specification. The standard USB uses a master/slave architecture, a USB host acting as a master and a USB peripheral acting as a slave. Only the USB host can schedule the configuration and data transfers over the link. The USB peripherals cannot initiate data transfers, they only respond to instructions given by a host.

USB OTG works differently in that gadgets don't need to be pure peripherals because they can sometimes act as hosts. An example might be connecting a USB keyboard or printer to BeagleBoard or a USB printer that knows how to grab documents from certain peripherals and print them. The USB OTG compatible devices are able to initiate the session, control the connection and exchange Host/Peripheral roles between each other.

The USB OTG supplement does not prevent the use of a hub, but it describes role swapping only in the case of a one-to-one connection where two OTG devices are directly connected. If a standard hub is used, the supplement notes that using it will lead to losing USB OTG role-swap capabilities making one device as the Default-Host and the other as the Default-Peripheral until the hub is disconnected.

The combination of the processor and the **TPS65950** allows the BeagleBoard to work as an OTG device if desired. The primary mode of operation however, is intended to be a client mode in order to pull power from the USB host which is typically a PC. As the Rev B does not have a Host USB port, this port will be used as a Host port in many applications.

8.13.2 USB OTG Design

Figure 34 is the design of the USB OTG port on the BeagleBoard.

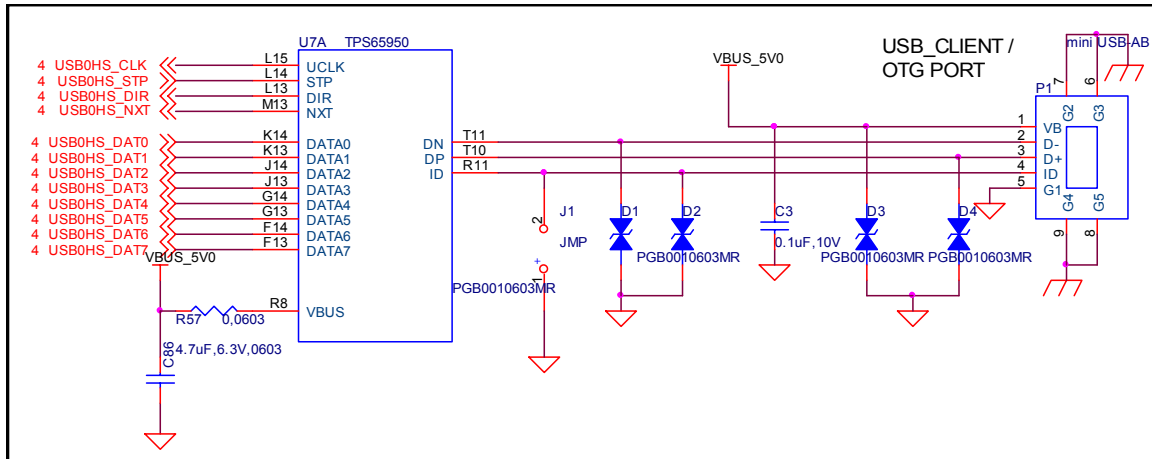


Figure 35. USB OTG Design

8.13.3 OTG ULPI Interface

ULPI is an interface standard for high-speed USB 2.0 systems. It defines an interface between USB link controller (processor) and the **TPS65950** that drives the actual bus. ULPI stands for UTMI+ low pin interface and is designed specifically to reduce the pin count of discrete high-speed USB PHYs. Pin count reductions minimize the cost and footprint of the PHY chip on the PCB and reduce the number of pins dedicated to USB for the link controller.

Unlike full- and low-speed USB systems, which utilize serial interfaces, high-speed requires a parallel interface between the controller and PHY in order to run the bus at 480Mbps. This leads to a corresponding increase in complexity and pin count. The ULPI used on the BeagleBoard keeps this down to only 12 signals because it combines just three control signals, plus clock, with an 8-bit bi-directional data bus. This bus is also used for the USB packet transmission and for accessing register data in the ULPI PHY.

8.13.3.1 Processor Interface

The controller for the ULPI interface is the Processor. It provides all of the required signals to drive the interface. **Table 7** describes the signals from the processor that are used for the USB OTG interface.

Table 7. Processor ULPI Interface

Signal	Description	Type	Ball
hsusb0_clk	Dedicated for external transceiver 60-MHz clock input from PHY	I	T28
hsusb0_stp	Dedicated for external transceiver Stop signal	O	T25
hsusb0_dir	Dedicated for external transceiver Data direction control from PHY	I	R28
hsusb0_nxt	Dedicated for external transceiver Next signal from PHY	I	T26
hsusb0_data0	Transceiver Bidirectional data bus	I/O	T27
hsusb0_data1	Transceiver Bidirectional data bus	I/O	U28
hsusb0_data2	Transceiver Bidirectional data bus	I/O	U27
hsusb0_data3	Transceiver Bidirectional data bus	I/O	U26
hsusb0_data4	Transceiver Bidirectional data bus	I/O	U25
hsusb0_data5	Transceiver Bidirectional data bus	I/O	V28
hsusb0_data6	Transceiver Bidirectional data bus	I/O	V27
hsusb0_data7	Transceiver Bidirectional data bus	I/O	V26

8.13.3.2 TPS65950 Interface

The **TPS65950** USB interfaces to the Processor over the ULPI interface. **Table 8** is a list of the signals used on the **TPS65950** for the ULPI interface.

Table 8. TPS65950 ULPI Interface

Signal	Description	Type	Ball
UCLK	High speed USB clock	I/O	L15
STP	High speed USB stop	I	L14
DIR	High speed USB dir	O	L13
NXT	High speed USB direction	O	M1
DATA0	High speed USB Data bit 0	I/O	K14
DATA1	High speed USB Data bit 0	I/O	K13
DATA2	High speed USB Data bit 0	I/O	J14
DATA3	High speed USB Data bit 0	I/O	J13
DATA4	High speed USB Data bit 0	I/O	G14
DATA5	High speed USB Data bit 0	I/O	G13
DATA6	High speed USB Data bit 0	I/O	F14
DATA7	High speed USB Data bit 0	I/O	F13

8.13.4 OTG Charge Pump

When the **TPS65950** acts as an A-device, the USB charge pump is used to provide 4.8 V/100 mA to the VBUS pin. When the **TPS65950** acts as a B-device, the USB charge pump is in high impedance. If used in the OTG mode as an A-device, the BeagleBoard will need to be powered from the DC supply. If acting as a B-device, there will not be a voltage source on the USB OTG port to drive the BeagleBoard. **Table 9** describes the charge pump pins.

Table 9. USB OTG Charge Pump Pins

Signal	Description	Type	Ball
CP.IN	The charge pump input voltage. Connected to VBAT.	Power	R7
CP.CAPP	The charge pump flying capacitor plus.	O	L14
CP.CAPM	The charge pump flying capacitor minus.	O	T6
CP.GND	The charge pump ground.	GND	R6

The charge pump is powered by the **VBAT** voltage rail. The charge pump generates a 4.8-V (nominal) power supply voltage to the **VBUS** pin. The input voltage range is 2.7 V to 4.5 V so the 4.2V VBAT is within this range. The charge pump operating frequency is 1 MHz. The charge pump integrates a short-circuit current limitation at 450 mA.

8.13.5 OTG USB Connector

The OTG USB interface is accessed through the miniAB USB connector. If you want to use the OTG port as a USB Host, **pin 4** of the connector must be grounded. The -xM Rev A version of Beagle provides jumper pad, **J6** that allows for a small piece of solder to be placed on the pads to perform this function. It should be noted that with the USB Host port on the -xM Rev A Beagle, the need to convert the OTG port to a host mode is greatly diminished.

8.13.6 OTG USB Protection

Each lead on the USB port has ESD protection. In order for the interface to meet the USB 2.0 Specification Eye Diagram, these protection devices must be low capacitance.

8.14 Onboard USB HUB

A new feature of the -xM board is the inclusion of an onboard USB 4 port hub with an integrated 10/100 Ethernet. This section describes the design of the HUB and the interface to the processor. This allows for the support of LS and FS USB devices without the need for an external USB HUB. **Figure 36** is a high level block diagram of the system design of the integrated HUB.

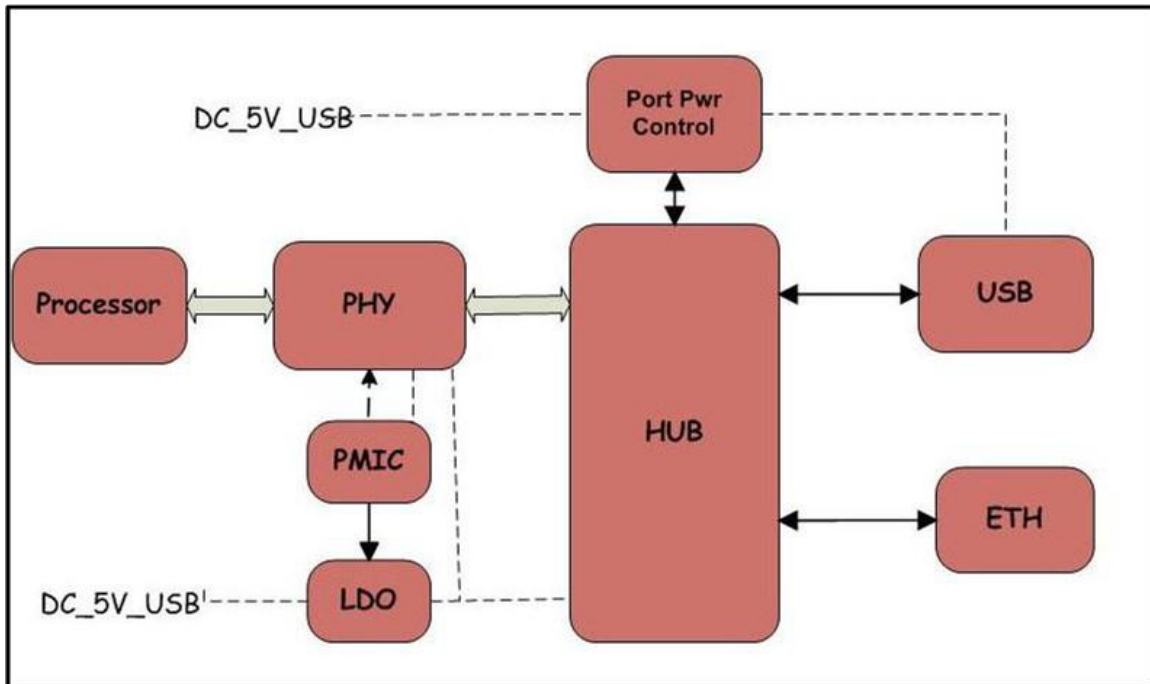


Figure 36. USB HUB Block Diagram

The following section covers each of the key function in the overall design.

- Power
- HS USB PHY
- HUB
- USB Port Power
- Ethernet

8.14.1 Power

The power for the HUB is provided by two sources. **Figure 37** is the design of the HUB power circuitry. The **HUB_3V3** rail, the main supply rail for the HUB, is provided by **U16**, a **TL1963A** LDO. Power for the LDO is provided by the **DC_5V_USB** rail from the overvoltage protection circuit. The LDO is set to provide 3.3V and is set by **R111** and **R113**. This rail can be turned on or off from the processor by using the I2C bus to communicate to the **TPS65950**. By default, the LDO is turned off.

The **TPS65950** provides the **USB_1V8** rail which is used by the USB PHY. The processor can turn on or off this rail by communicating with the **TPS65950** via the I2C bus.

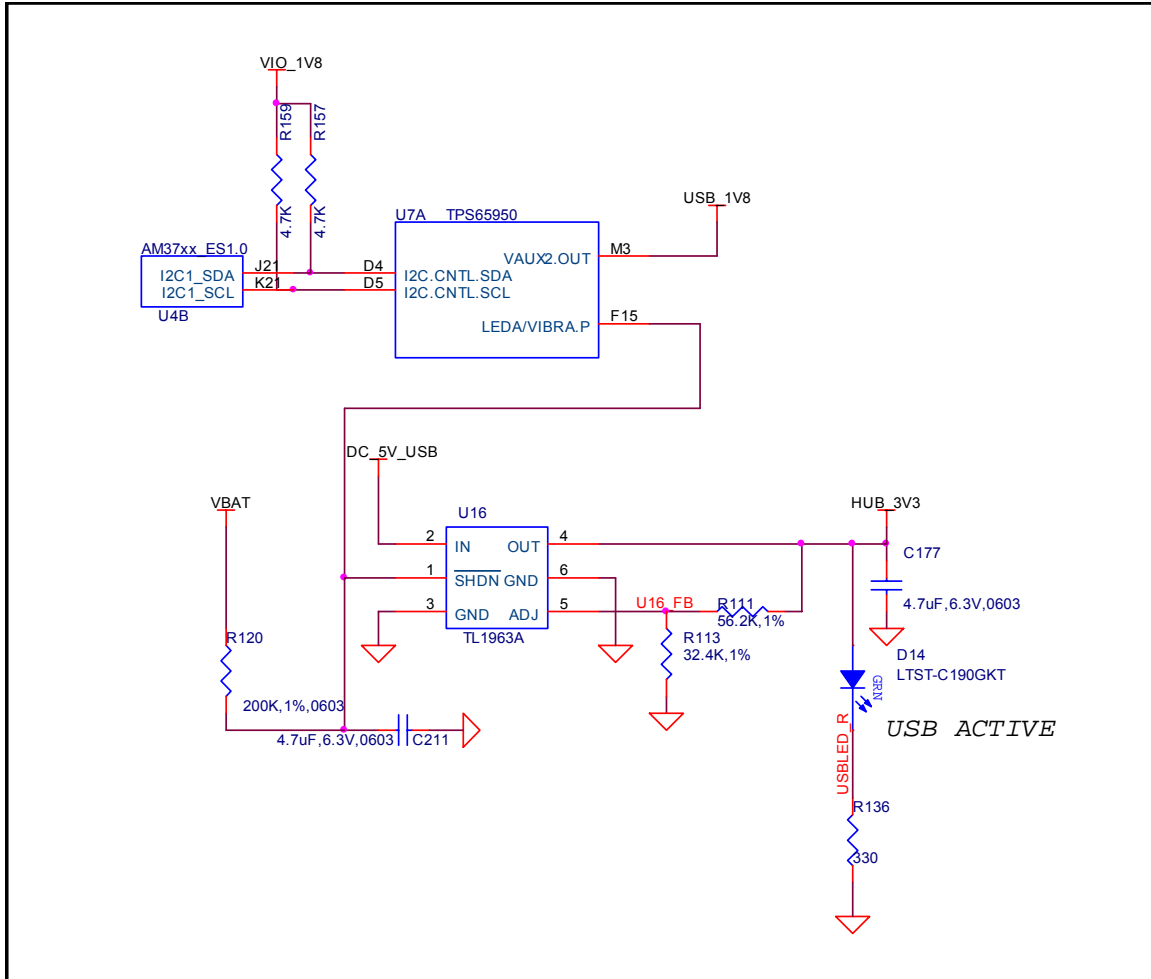


Figure 37. HUB Power Circuitry

A green LED, **D14**, indicates that power is applied to the HUB circuitry.

8.14.2 HS USB PHY

The configuration of the HS USB PHY is basically the same as on the Rev C4 design. A PHY is required between the processor ULPI interface and the USB HUB. **Figure 39** shows the processor and PHY interface.

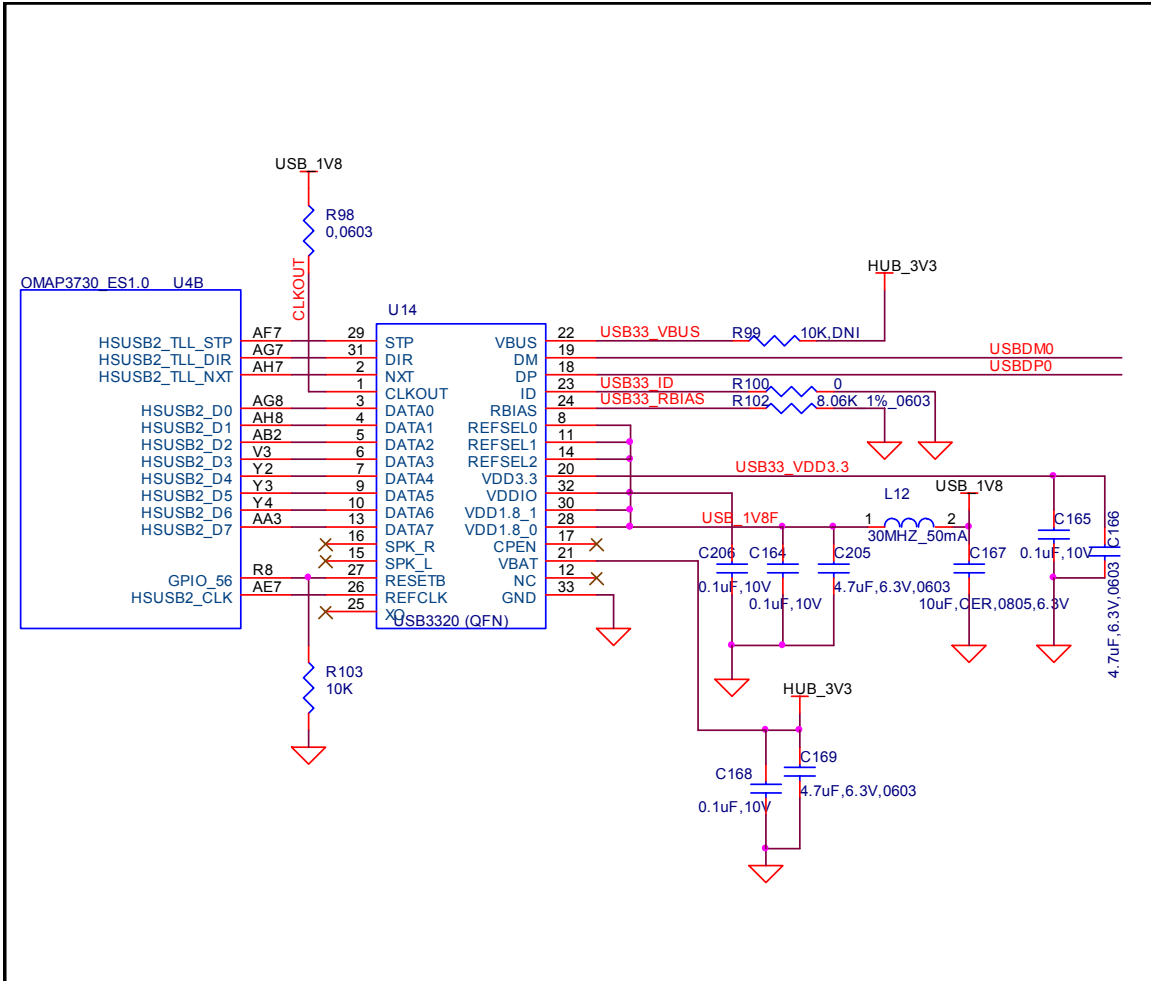


Figure 38. USB PHY Design

The interface to the processor is the HSUSB2 interface. The signals used on this interface are contained in **Table 10**.

Table 10. USB Host Port OMAP Signals

Signal	Description	Input/Output
Hsub2_clk	External transceiver 60-MHz clock output to PHY	O
Hsub2_stp	External transceiver Stop signal	O
Hsub2_dir	Transceiver data direction control from PHY	I
Hsub2_nxt	Next signal from PHY	I
Hsub2_data0	Bidirectional data bus signal for 12-pin ULPI operation	I/O
Hsub2_data1	Bidirectional data bus signal for 12-pin ULPI operation	I/O
Hsub2_data2	Bidirectional data bus signal for 12-pin ULPI operation	I/O
Hsub2_data3	Bidirectional data bus signal for 12-pin ULPI operation	I/O
Hsub2_data4	Bidirectional data bus signal for 12-pin ULPI operation	I/O
Hsub2_data5	Bidirectional data bus signal for 12-pin ULPI operation	I/O
Hsub2_data6	Bidirectional data bus signal for 12-pin ULPI operation	I/O
Hsub2_data7	Bidirectional data bus signal for 12-pin ULPI operation	I/O
Gpio_147	Enable/reset line to the USB PHY.	O

The **husb2_clk** signal is an output only and is used to support a HS USB PHY that supports an input clock mode. The SMSC PHY device supports this mode and is used on the Beagle.

The PHY used in the design is a **USB3320** series device from SMSC. The **USB3320** is a highly integrated Hi-Speed USB2.0 Transceiver (PHY) that meets all of the electrical requirements to be used as a Hi-Speed USB Host. In this design, only the host mode of operation is being supported as it is used to connect to the HUB on the board.

In order to interface to the processor, the device must be used in the 60MHz clock mode. This is done by tying the **CLKOUT** signal on the USB PHY to **VIO_1V8**. On -XM Rev A, a zero ohm series resistor was added. This is not required, but was added as a “just in case” option if the CLKOUT signal was a source of noise in the PHY. It was proven not to be the case. The clock for the PHY is derived from the 60MHz signal generated by the processor. All of the signals and their functions align with the descriptions found in the processor interface section.

The USB3322 device requires two voltages, the **USB_1V8** rail to power the I/O rails and the **HUB_3V3** to power the rest of the device. The 3.3V rail for the device is generated internally and requires a filter and bypass cap to be connected externally. The **USB_1V8** rail is derived from the **VAUX2** rail supplied by the **TPS65950** PMIC.

The **RBIAS** block in the PHY consists of an internal bandgap reference circuit used for generating the driver current and the biasing of the analog circuits. This block requires an external 8.06K Ω , 1% tolerance, reference resistor connected from **RBIAS** to ground. The nominal voltage at **RBIAS** is 0.8V and therefore the resistor will dissipate approximately 80 μ W of power.

As we are not using this device to support the OTG protocol but instead as a host device, we ground the **ID** pin to force it into a Host mode at all times. The **USB3322** transceiver fully integrates all of the USB termination resistors on both **DP** and **DM**. This includes 1.5k Ω pull-up resistors, 15k Ω pull-down resistors and the 45 Ω high speed termination resistors. These resistors require no tuning or trimming.

8.14.3 USB HUB

The key component in the HUB design is a SMSC LAN9514 USB HUB plus Ethernet device. **Figure 40** is the HUB design.

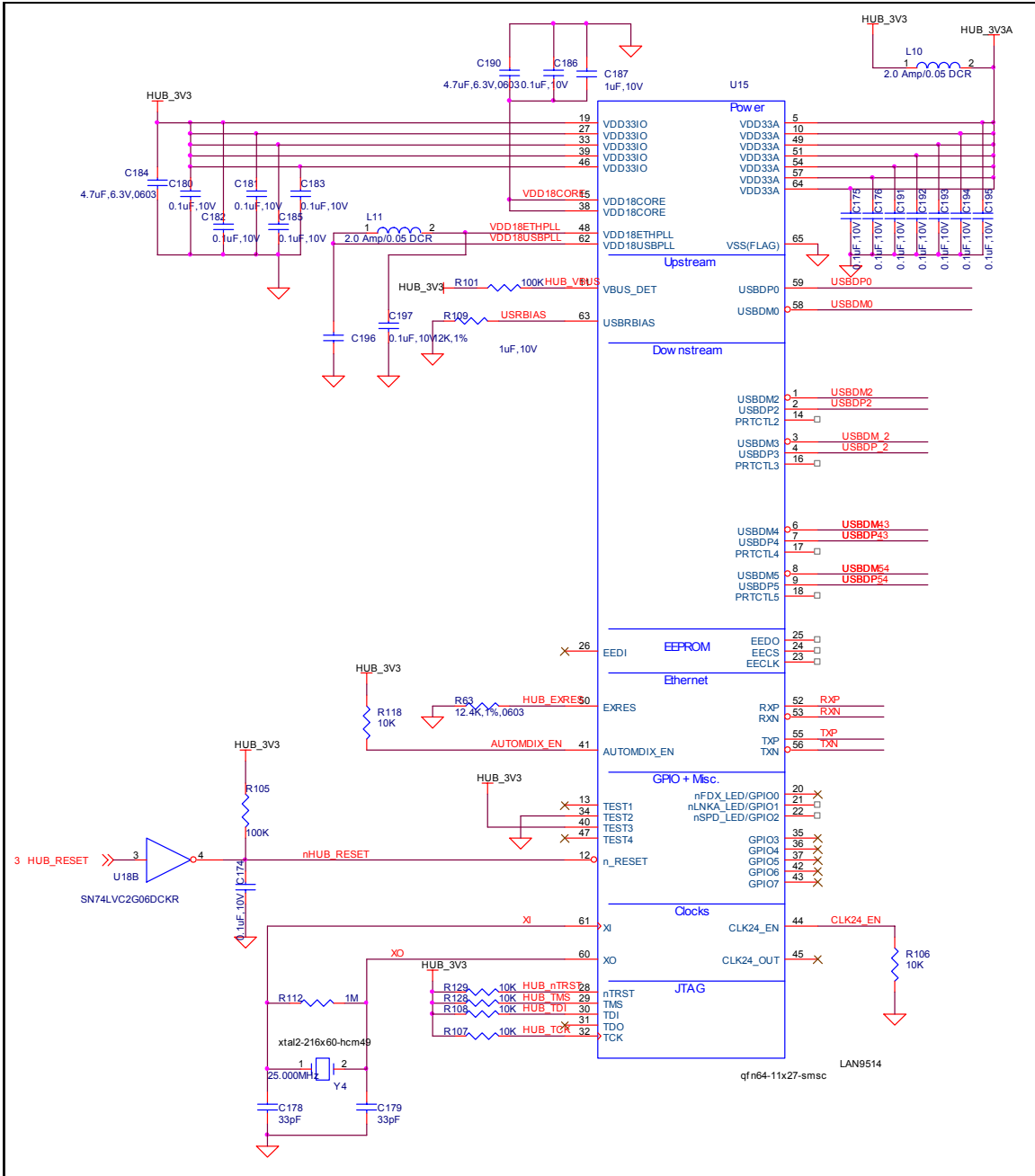


Figure 39. USB HUB Design

The LAN9514/LAN9514i is a high performance Hi-Speed USB 2.0 hub with a 10/100 Ethernet controller. The LAN9514/LAN9514i contains an integrated USB 2.0 hub, four integrated downstream USB 2.0 PHYs, an integrated upstream USB 2.0 PHY, a 10/100 Ethernet PHY, a 10/100 Ethernet Controller.

The main power supply for the LAN9514 is the HUB_3V3 supplied by the dedicated power regulator. Filtering is required on all input pins. A 1.8V core voltage is derived from an internal LDO and requires external filtering.

The LAN9514 requires an external 25MHz crystal to generate the required internal clocks. The optional 24MHz clock output is not used on the board and is disabled.

The AUTOMIDX feature is enabled which allows for auto polarity detection. This enables the port to automatically switch the TX and RX leads if needed.

8.14.4 USB Port Connectors

There are two dual port type A USB connectors used on the -xM board each one provides connections for four signals, DP, DM, VBUS, and Ground. You will notice that there are no external ESD devices on the connector. The ESD protection is integrated into the USB HUB.

Figure 41 is the design of the power control for each USB host port. Each port can be turned on or off from the LAN9514 over the USB interface. U13, a TPS2045, is a four port FET with over current detection. The overcurrent detect output is tied to the enable pin from the LAN9514. In an over current condition the signal is immediately turned off without waiting for the processor to turn off the power. The LAN9514 detects the overcurrent condition and keeps the over current condition turned off.

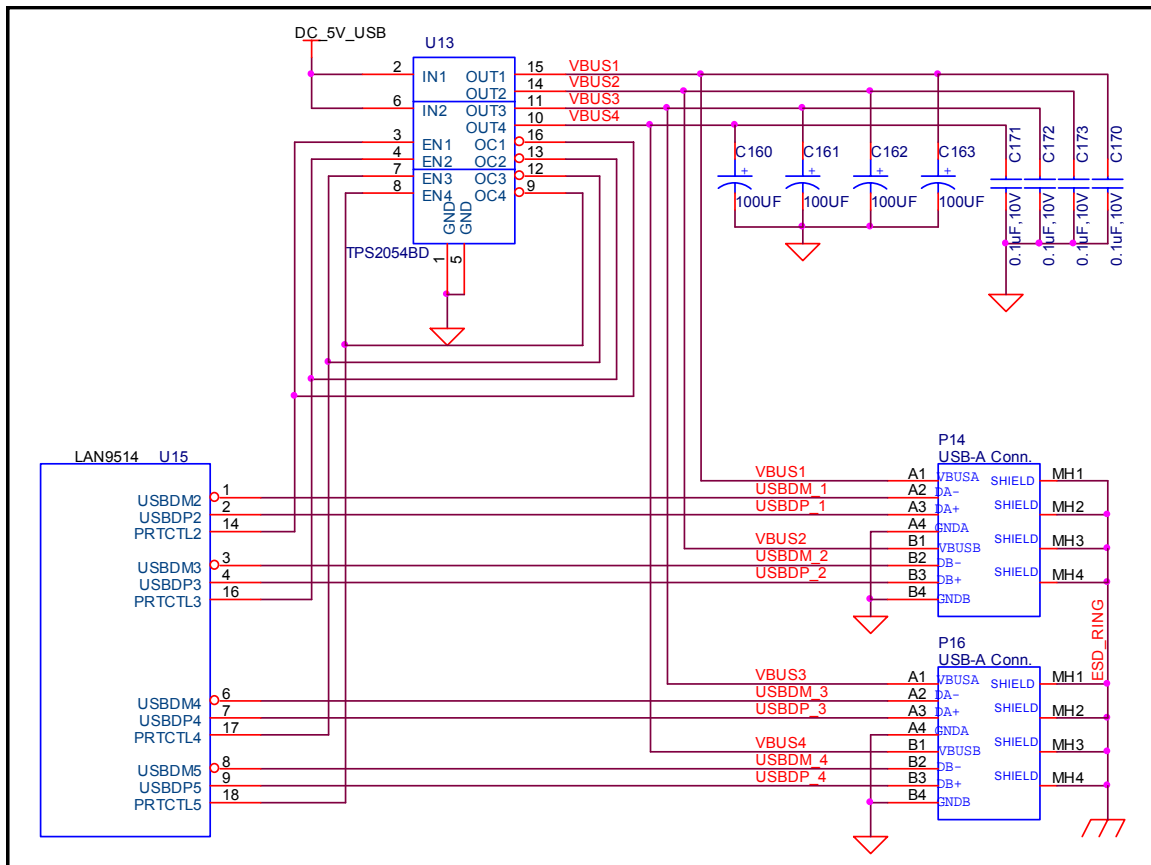


Figure 40. USB Port Power Design

Each USB Host port has its own dedicated FET and power control. A 100uf capacitor is connected to each USB power port for added surge current capabilities. A .1uf capacitor

8.14.5 Ethernet

Figure 41 is the circuitry that applies to the Ethernet interface on the board. The LAN9514 device while performing the function of the HUB also contains the Ethernet controller.

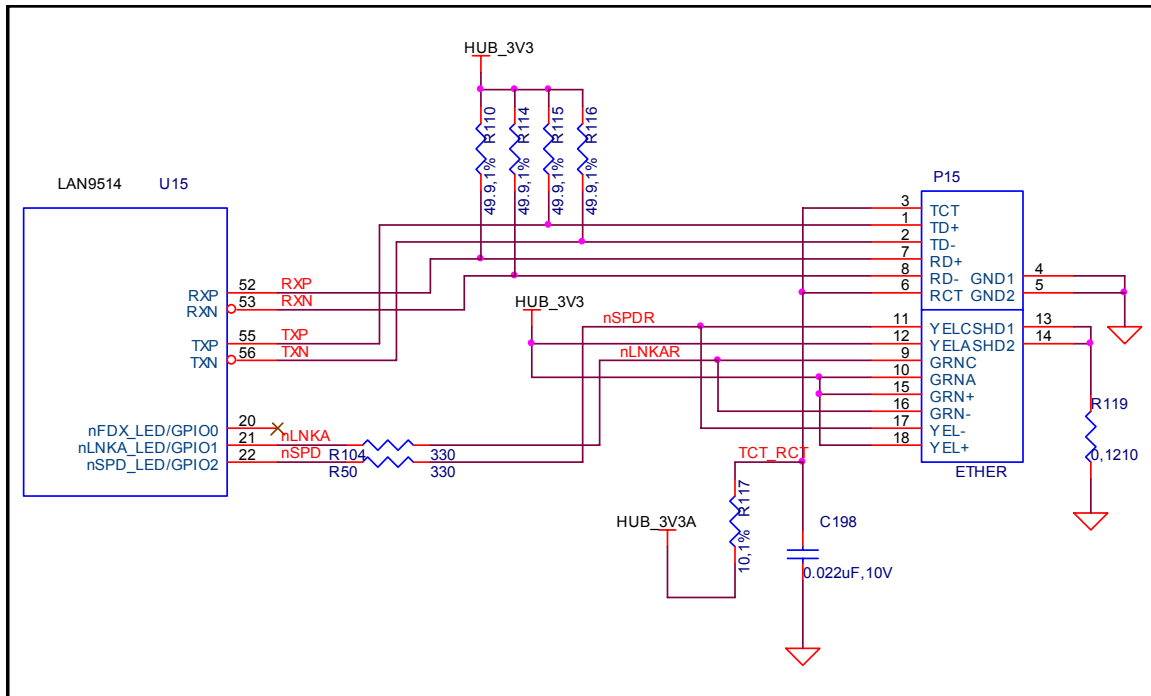


Figure 41. USB Based Ethernet Design

The 10/100 Ethernet controller provides an integrated Ethernet MAC and PHY which are fully IEEE 802.3 10BASE-T and 802.3u 100BASE-TX compliant. A connector, P15, with integrated magnetics is used to provide the physical interface off the board. The Ethernet features auto polarity correction and Auto-MIDX.

8.15 microSD

The board provides a single microSD interface. Its primary use is for providing the boot source for SW. Unlike the Rev C4, it cannot be used for the typical SDIO or MMC functions. **Figure 42** is the microSD interface design on the BeagleBoard.

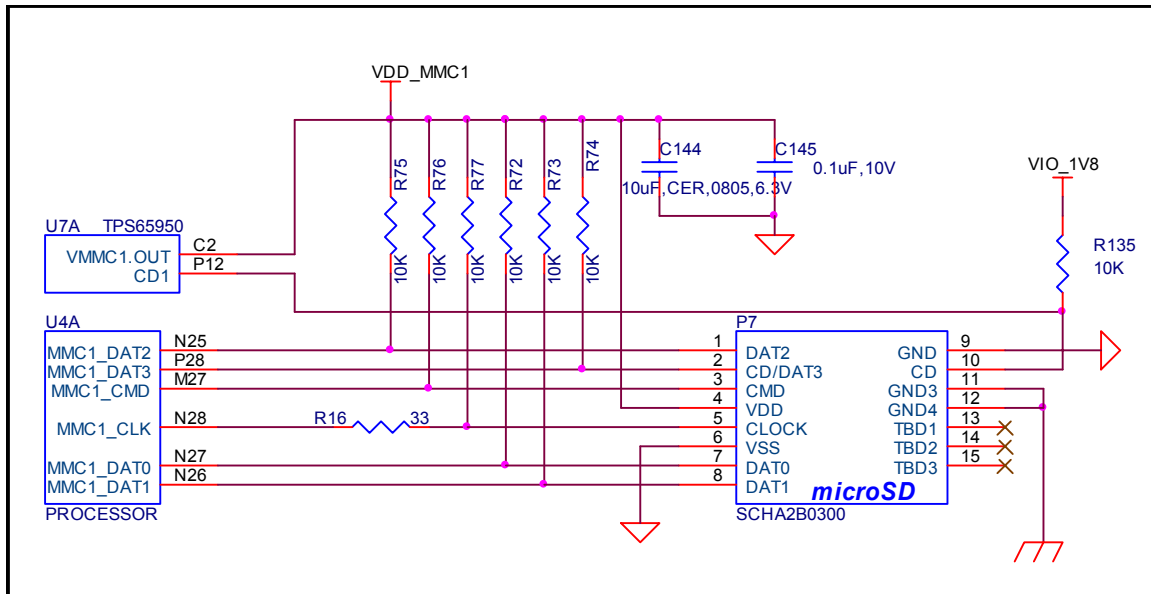


Figure 42. microSD Interface

8.15.1 microSD Power

The microSD connector is supplied power from the **TPS65950** using the **VMMC1** rail. The default setting on this rail is 3.0V as set by the Boot ROM and under SW control, can be set to 1.80V for use with 1.8V cards. The maximum current this rail can provide is 220mA as determined by the **TPS65950** regulator. Maximum current can be limited by the overall current available from the USB interface of the PC.

8.15.2 Processor Interface

There are no external buffers required for the microSD operation. The processor provides all of the required interfaces for the microSD interface. **Table 11** provides a description of the signals on the MMC card.

Table 11. SD/MMC OMAP Signals

Signal Name	Description	I/O	Pin
MMC1_CLK	SD/MMC Clock output.	O	N28
MMC1_CMD	SD/MMC Command pin	I/O	M27
MMC1_DAT(0..7)	SD/MMC Data pins	I/O	N27,N26,N25,P28,P27, P26,R27,R25

8.15.3 Card Detect

When a card is inserted into the connector, the **Card Detect** pin is grounded. This is detected on pin **P12** of the **TPS65950**. An interrupt, if enabled, is sent to the processor via the interrupt pin. The SW can be written such that the system comes out of sleep or a reduced frequency mode when the card is detected.

8.15.4 Booting From SD/MMC Cards

The ROM code supports booting from the microSD cards with some limitations:

- Support for SD cards compliant with the Multimedia Card System Specification v4.2 from the MMCA Technical Committee and the Secure Digital I/O Card Specification v2.0 from the SD Association. Including high-capacity (size >2GB) cards: HC-SD and HC MMC.
- 3-V power supply, 3-V I/O voltage on port 1
- Initial 1-bit MMC mode, 4-bit SD mode.
- Clock frequency:
 - Identification mode: 400 kHz
 - Data transfer mode: 20 MHz
- Only one card connected to the bus
- FAT12/16/32 support, with or without master boot sector (MBR).

The high-speed microSD host controllers handle the physical layer while the ROM code handles the simplified logical protocol layer (read-only protocol). A limited range of commands is implemented in the ROM code. The MMC/SD specification defines two operating voltages for standard or high-speed cards. The ROM code only supports standard operating voltage range (3-V). The ROM code reads out a booting file from the card file system and boots from it.

8.16 Audio Interface

The BeagleBoard supports stereo in and out through the **TPS65950** which provides the audio CODEC.

Figure 43 is the Audio circuitry design on the BeagleBoard.

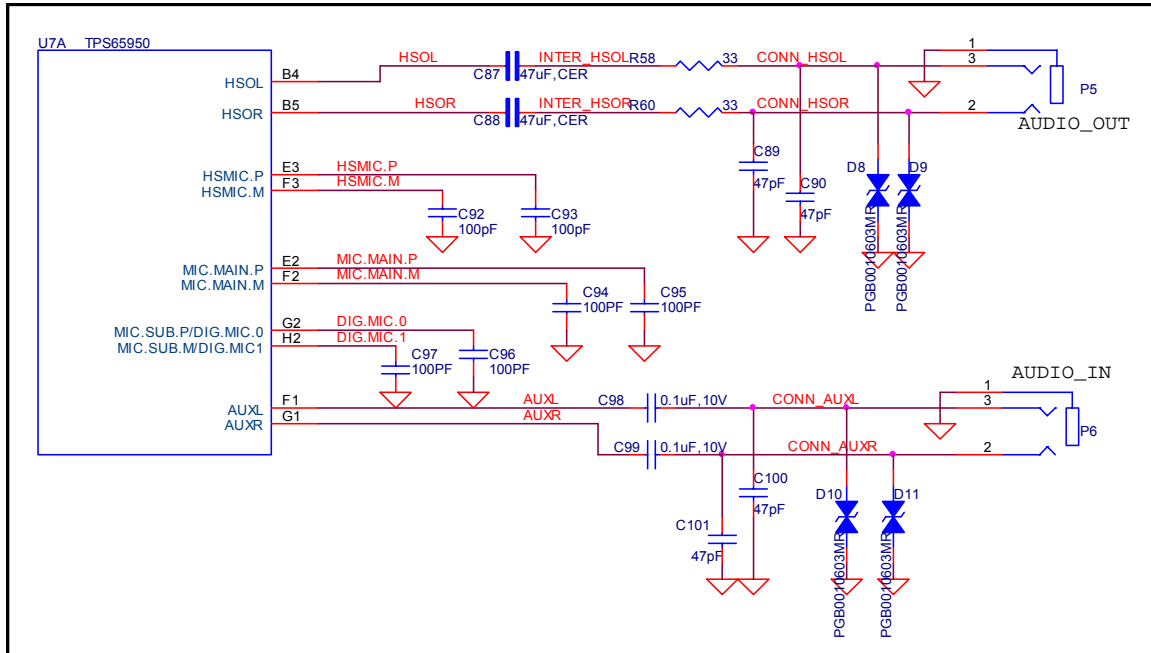


Figure 43. Audio Circuitry

8.16.1 Processor Audio Interface

There are five McBSP modules called McBSP1 through McBSP5 on the AM3730. **McBSP2** provides a full-duplex, direct serial interface between CODEC inside the **TPS65950**. It supports the I2S format to the TPS65950. In **Table 12** are the signals used on the processor to interface to the CODEC.

Table 12. Processor Audio Signals

Signal Name	Description	I/O	Pin
mcbsp2_dr	Received serial data	I	R21
mcbsp2_dx	Transmitted serial data	I/O	M21
mcbsp2_clkx	Combined serial clock	I/O	N21
mcbsp2_fsx	Combined frame synchronization	I/O	P21
Mcbsp_clks	External clock input. Used to synchronize with the TPS65950	I	T21

8.16.2 TPS65950 Audio Interface

The **TPS65950** acts as a master or a slave for the I2S interface. If the **TPS65950** is the master, it must provide the frame synchronization (I2S_SYNC) and bit clock (I2S_CLK) to the processor. If it is the slave, the **TPS65950** receives frame synchronization and bit clock. The **TPS65950** supports the I2S left-justified and right-justified data formats, but doesn't support the TDM slave mode.

In **Table 13** are all the signals used to interface to the processor.

Table 13. Processor Audio Signals

Signal Name	Description	I/O	Pin
I2S.CLK	Clock signal (audio port)	I/O	L3
I2S.SYNC	Synchronization signal (audio port)	IO	K6
I2S.DIN	Data receive (audio port)	I	K4
I2S.DOUT	Data transmit (audio port)	O	K3
CLK256FS	Synchronization frame sync to the AM3730	O	D13

A new feature on the -xM is the ability to access the audio signals for use on an external add on board. If this feature is to be used, you must disable via SW this interface on the TPS65950.

8.16.3 Audio Output Jack

A single 3.5mm jack is provided on BeagleBoard to support external stereo audio output devices such as headphones and powered speakers. This interface is not amplified and may require the use of amplified speakers in certain instances.

8.16.4 Audio Input Jack

A single 3.5mm jack is supplied to support external audio inputs including stereo or mono. If a microphone is to be used, it may require additional amplification of the signal for proper use.

8.17 DVI-D Interface

The LCD interface on the processor is accessible from the **DVI-D** interface connector on the board. **Figure 44** is the DVI-D interface design.

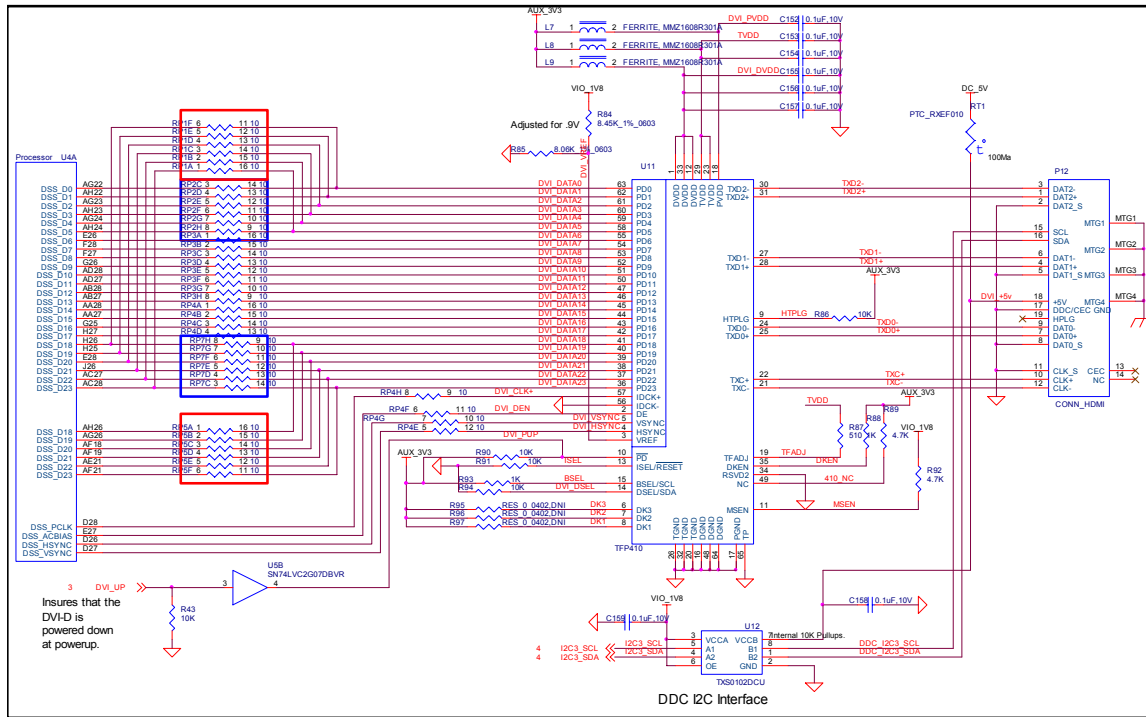


Figure 44. DVI-D Interface

One of the main changes in the DSS area on the -xM is the change of the DSS pin usage. The processor requires that different pins be used if 720p resolutions are required. These pins are different than those that are currently used on the Rev C4. The basic change requires that the **DSS_D0-D5** need to be moved to the pins that normally carry the **DSS_D18-D23** leads. In this case, the signals for **DSS_D18-D23** need to be moved to other pins. Reflected in **Figure 44** are four resistor packs inside either Red or Blue boxes. These are the loading options to enable the new mode used by the -xM or the legacy mode used by the Rev C4. The resistor packs in the RED boxes are installed and the BLUE boxes are not installed on the -xM to support the 720p resolution.

For legacy operation, you would need to install the BLUE boxes and leave out the RED boxes. The SW will take care of this automatically, but you may want to do this if your design were to need to work in the legacy mode.

8.17.1 Processor LCD Interface

The main driver for the DVI-D interface originates at the processor via the **DSS** pins. The AM3730 provides 24 bits of data to the DVI-D framer chip, **TFP410**. There are three other signals used to control the DVI-D that originate at the processor. These are I2C3_SCL, I2C3_SDA, and GPIO_170. All of the signals used are described in **Table 14**.

Table 14. Processor LCD Signals

Signal	Description		Type	Ball (Legacy)	Ball (720p)
dss_pclk	LCD Pixel Clock		O	D28	D28
dss_hsync	LCD Horizontal Synchronization		O	D26	D26
dss_vsync	LCD Vertical Synchronization		O	D27	D27
dss_acbias	Pixel data enable (TFT) output		O	E27	E27
dss_data0	LCD Pixel Data bit 0	BLUE0	O	AG22	H26
dss_data1	LCD Pixel Data bit 1	BLUE1	O	AH22	H25
dss_data2	LCD Pixel Data bit 2	BLUE2	O	AG23	E28
dss_data3	LCD Pixel Data bit 3	BLUE3	O	AH23	J26
dss_data4	LCD Pixel Data bit 4	BLUE4	O	AG24	AC27
dss_data5	LCD Pixel Data bit 5	BLUE5	O	AH24	AC28
dss_data6	LCD Pixel Data bit 6	BLUE6	O	E26	E26
dss_data7	LCD Pixel Data bit 7	BLUE7	O	F28	F28
dss_data8	LCD Pixel Data bit 8	GREEN0	O	F27	F27
dss_data9	LCD Pixel Data bit 9	GREEN1	O	G26	G26
dss_data10	LCD Pixel Data bit 10	GREEN2	O	AD28	AD28
dss_data11	LCD Pixel Data bit 11	GREEN3	O	AD27	AD27
dss_data12	LCD Pixel Data bit 12	GREEN4	O	AB28	AB28
dss_data13	LCD Pixel Data bit 13	GREEN5	O	AB2	AB2
dss_data14	LCD Pixel Data bit 14	GREEN6	O	AA28	AA28
dss_data15	LCD Pixel Data bit 15	GREEN7	O	AA27	AA27
dss_data16	LCD Pixel Data bit 16	RED0	O	G25	G25
dss_data17	LCD Pixel Data bit 17	RED1	O	H27	H27
dss_data18	LCD Pixel Data bit 18	RED2	O	H26	AH26
dss_data19	LCD Pixel Data bit 19	RED3	O	H25	AG26
dss_data20	LCD Pixel Data bit 20	RED4	O	E28	AF18
dss_data21	LCD Pixel Data bit 21	RED5	O	J26	AF19
dss_data22	LCD Pixel Data bit 22	RED6	O	AC27	AE21
dss_data23	LCD Pixel Data bit 23	RED7	O	AC28	AF21
GPIO_170	Powers down the TFP410 when Lo. TFP410 is active when Hi.		O	J25	
I2C3_SCL	I2C3 clock line. Used to communicate with the monitor to determine setting information.		I/O	AF14	AF14
I2C3_SDA	I2C3 data line. Used to communicate with the monitor to determine setting information.		I/O	AG14	AG14

10ohm series resistors are provide in the signal path to minimize reflections in the high frequency signals from the processor to the **TFP410**. These resistors are in the form of

resistor packs on the BeagleBoard. The maximum clock frequency of these signals is 65MHz.

It should be noted that on the Rev A2 version, the ability to shut off the DVI-D display is not supported. This will be fixed on the next letter revision of the board.

8.17.2 LCD Power

In order for the DSS outputs to operate correctly out of the processor, two voltage rails must be active, **VIO_1V8** and **VDD_PLL2**. Both of these rails are controlled by the **TPS65950** and must be set to 1.8V. By default, **VDD_PLL2** is not turned and must be activated by SW. Otherwise some of the bits will not have power supplied to them.

8.17.3 TFP410 Power

Power to the TFP410 is supplied from the 3.3V regulator in **U1**, the **TPS2141**. In order to insure a noise free signal, there are three inductors, **L4**, **L5**, and **L6** that are used to filter the 3.3V rail into the TFP410.

8.17.4 TFP410 Framer

The **TFP410** provides a universal interface to allow a glue-less connection to provide the DVI-D digital interface to drive external LCD panels. The adjustable 1.1-V to 1.8-V digital interface provides a low-EMI, high-speed bus that connects seamlessly with the 1.8V and 24-bit interface output by the processor. The DVI interface on the BeagleBoard supports flat panel display resolutions up to XGA at 65 MHz in 24-bit true color pixel format.

Table 15 is a description of all of the interface and control pins on the **TFP410** and how they are used on BeagleBoard.

Table 15. TFP410 Interface Signals

Signal Name	Description	Type	Ball
DATA[23:12]	The upper 12 bits of the 24-bit pixel bus.	I	36-47
DATA[11:0]	The bottom 12 bits of the 24-bit pixel bus.	I	50-55.56-53
IDCK+	Single ended clock input.	I	57
IDCK-	Tied to ground to support the single ended mode.	I	56
DE	Data enable. During active video (DE = high), the transmitter encodes pixel data, DATA[23:0]. During the blanking interval (DE = low), the transmitter encodes HSYNC and VSYNC.	I	2
HSYNC	Horizontal sync input	I	4
VSYNC	Vertical sync input	I	5
DK3	These three inputs are the de-skew inputs DK[3:1], used to adjust the setup and hold times of the pixel data inputs	I	6
DK2		I	7
DK1		I	8
	A low level indicates a powered on receiver is detected at the		

MSEN	differential outputs. A high level indicates a powered on receiver is not detected.	O	11
ISEL	This pin disables the I2C mode on chip. Configuration is specified by the configuration pins (BSEL, DSEL, EDGE, VREF) and state pins (PD, DKEN).	I	13
BSEL	Selects the 24bit and single-edge clock mode.	I	13
DSEL	Lo to select the single ended clock mode.	I	14
EDGE	A high level selects the primary latch to occur on the rising edge of the input clock IDCK	I	9
DKEN	A HI level enables the de-skew controlled by DK[1:3]	I	35
VREF	Sets the level of the input signals from the AM3730.	I	3
PD	A HI selects normal operation and a LO selects the powerdown mode.	I	10
TGADJ	This pin controls the amplitude of the DVI output voltage swing, determined by the value of the pullup resistor RTFADJ connected to 3.3V.	I	19

8.17.5 TFP410 Control Pins

There are twelve control pins that set up the TFP410 to operate with the processor. Most of these pins are set by HW and do not require any intervention by the processor to set them.

8.17.5.1 ISEL

The **ISEL** pin is pulled LO via **R99** to place the TFP410 in the control pin mode with the I2C feature disabled. This allows the other modes for the TFP410 to be set by the other control pins.

8.17.5.2 BSEL

The **BSEL** pin is pulled HI to select the 24 bit mode for the Pixel Data interface from the processor.

8.17.5.3 DSEL

The **DSEL** pin is pulled low to select the single ended clock mode from the **AM3730**.

8.17.5.4 EDGE

The **EDGE** signal is pulled HI through **R82** to select the rising edge on the IDCK+ lead which is the pixel clock from the **AM3730**.

8.17.5.5 DKEN

The **DKEN** signal is pulled HI to enable the de-skew pins. The de-skew pins, **DK1-DK3**, are pulled low by the internal pulldown resistors in the **TFP410**. This is the default mode of operation. If desired, the resistors can be installed to pull the signals high. However, it

is not expected that any of the resistors will need to be installed. The DK1-DK3 pins adjust the timing of the clock as it relates to the data signals.

8.17.5.6 *MSEN*

The **MSEN** signal, when low, indicates that there is a powered monitor plugged into the DVI-D connector. This signal is not connected to the **AM3730** and is provided as a test point only.

8.17.5.7 *VREF*

The **VREF** signal sets the voltage level of the **DATA**, **VSYNC**, **HSYNC**, **DE**, and **IDCK+** leads from the processor. As the **AM3730** is 1.8V, the level is set to .9V by **R64** and **R65**.

8.17.5.8 *PD*

The **PD** signal originates from the processor on the **GPIO_170** pin. Because the **PD** signal on the **TFP410** is 3.3V referenced, this signal must be converted to **3.3V**. This is done by **U4**, **SN74LVC2G07**, a non-inverting open drain buffer. If the **GPIO_170** pin is HI, then the open drain signal is inactive, causing the signal to be pulled HI by **R98**. When **GPIO_170** is taken low, the output of **U4** will also go LO, placing the **TFP410** in the power down mode. Even though **U4** is running at 1.8V to match the processor, the output will support being pulled up to **3.3V**. On power up, the TFP410 is disabled by **R109**, a 10K resistor. When the processor powers on, pin **J25** comes in the safe mode, meaning it is not being driven. **R109** insures that the signal is pulled LO, putting the TFP410 in the power down mode.

8.17.5.9 *TFADJ*

The **TFADJ** signal controls the amplitude of the DVI output voltage swing, determined by the value of **R95**.

8.17.5.10 *RSVD2*

This unused pin is terminated to ground as directed by the TFP410 data manual.

8.17.5.11 *NC*

This unused pin is pulled HI as directed by the TFP410 data manual.

8.17.6 DVI-D Connector

In order to minimize board size, a HDMI connector was selected for the DVI-D connection. The BeagleBoard does not support HDMI but only the DVI-D component of

HDMI. The Cable is not supplied with the BeagleBoard but is available from numerous cable suppliers and is required to connect a display to the BeagleBoard.

8.17.6.1 Shield Wire

Each signal has a shield wire that is used in the cable to provide signal protection for each differential pair. This signal is tied directly to ground.

8.17.6.2 DAT0+/DAT0-

The differential signal pair **DAT0+/DAT0-** transmits the 8-bit blue pixel data during active video and HSYNC and VSYNC during the blanking interval.

8.17.6.3 DAT1+/DAT1-

The differential signal pair **DAT1+/DAT1-** transmits the 8-bit green pixel data during active video.

8.17.6.4 DAT2+/DAT2-

The differential signal pair **DAT2+/DAT2-** transmits the 8-bit red pixel data during active.

8.17.6.5 TXC+/TXC-

The differential signal pair **TXC+/TXC-** transmits the differential clock from the TFP410.

8.17.6.6 DDC Channel

The **Display Data Channel** or **DDC** (sometimes referred to as EDID Enhanced Display ID) is a digital connection between a computer display and the processor that allows the display specifications to be read by the processor. The standard was created by the Video Electronics Standards Association (VESA). The current version of DDC, called DDC2B, is based on the I²C bus. The monitor contains a read-only memory (ROM) chip programmed by the manufacturer with information about the graphics modes that the monitor can display. This interface in the LCD panel is powered by the +5V pin on the connector through **RT1**, a resettable fuse. As the processor is 1.8V I/O, the I²C bus is level translated by **U11**, a **TXS0102**. It provides for a split rail to allow the signals to interface on both sides of the circuit. Inside of **TXS0102** is a pullup on each signal, removing the need for an external resistor.

8.17.6.7 HDMI Support

The digital portion of the DVI-D interface is compatible with HDMI and is electrically the same. A standard HDMI cable may be used to connect to the HDMI input of monitors or televisions. Whether or not the Beagle will support those monitors is dependent on the timings that are used on the BeagleBoard and those that are accepted by the monitor. This may require a change in the software running on the Beagle. The audio and encryption features of HDMI are not supported by the BeagleBoard.

8.17.6.8 DVI to VGA

The analog portion of DVI, which provides RGB analog signals, is **not supported** by the BeagleBoard. Buying a DVI to VGA adapter connector will not work on a VGA display. You will need an active DVI-D to VGA adapter. Another option for these signals is to buy a board that connects to the J4 and J5 expansion connectors and generates the RGB signals for the VGA display.

8.18 LCD Expansion Headers

Access is provided on the -XM Rev A to allow access to the LCD signals. **Table 16** shows the signals that are on the P11 connector. You will notice that the signals are not in a logical order or grouping. This is due to the routing on the PCB where we allowed the routing to take precedence to get it to route with no addition of layers to the design.

Table 16. P11 LCD Signals

Pin#	Signal	I/O	Description
1	DC_5V	PWR	DC rail from the Main DC supply
2	DC_5V	PWR	DC rail from the Main DC supply
3	DVI_DATA1	O	LCD Pixel Data bit
4	DVI_DATA0	O	LCD Pixel Data bit
5	DVI_DATA3	O	LCD Pixel Data bit
6	DVI_DATA2	O	LCD Pixel Data bit
7	DVI_DATA5	O	LCD Pixel Data bit
8	DVI_DATA4	O	LCD Pixel Data bit
9	DVI_DATA12	O	LCD Pixel Data bit
10	DVI_DATA10	O	LCD Pixel Data bit
11	DVI_DATA23	O	LCD Pixel Data bit
12	DVI_DATA14	O	LCD Pixel Data bit
13	DVI_DATA19	O	LCD Pixel Data bit
14	DVI_DATA22	O	LCD Pixel Data bit
15	I2C3_SDA	I/O	I2C3 Data Line
16	DVI_DATA11	O	LCD Pixel Data bit
17	DVI_VSYNC	O	LCD Vertical Sync Signal
18	DVI_PUP	O	Control signal for the DVI controller. When Hi, DVI is enabled. Can be used to activate

			circuitry on adapter board if desired.
19	GND	PWR	Ground bus
20	GND	PWR	Ground bus

The current available on the DC_5V rail is limited to the available current that remains from the DC supply that is connected to the DC power jack on the board. Keep in mind that some of that power is needed by the USB Host power rail and if more power is needed for the expansion board, the main DC power supply current capability may need to be increased. All signals are 1.8V except the DVI_PUP which is a 3.3V signal.

Table 17 shows the signals that are on connector P13.

Table 17. P13 LCD Signals

Pin#	Signal	I/O	Description
1	3.3V	PWR	3.3V reference rail
2	VIO_1V8	PWR	1.8V buffer reference rail.
3	DVI_DATA20	O	LCD Pixel Data bit
4	DVI_DATA21	O	LCD Pixel Data bit
5	DVI_DATA17	O	LCD Pixel Data bit
6	DVI_DATA18	O	LCD Pixel Data bit
7	DVI_DATA15	O	LCD Pixel Data bit
8	DVI_DATA16	O	LCD Pixel Data bit
9	DVI_DATA7	O	LCD Pixel Data bit
10	DVI_DATA13	O	LCD Pixel Data bit
11	DVI_DATA8	O	LCD Pixel Data bit
12	NC		No connect
13	DVI_DATA9		LCD Pixel Data bit
14	I2C3_SCL	I/O	I2C3 Clock Line
15	DVI_DATA6	O	LCD Pixel Data bit
16	DVI_CLK+	O	DVI Clock
17	DVI_DEN	O	Data Enable
18	DVI_HSYNC	O	Horizontal Sync
19	GND	PWR	Ground bus
20	GND	PWR	Ground bus

The 1.8V rail is for level translation only and should not be used to power circuitry on the board. The 3.3V rail also has limited capacity on the power as well. If the **TFP410** is disabled on the Beagle, then 80mA is freed up for use on an adapter card connected to the LCD signals connectors. It is not required that the **TFP410** be disabled when running an adapter card, but the power should be taken into consideration when making this decision.

It is suggested that the 5V rail be used to generate the required voltages for an adapter card.

8.19 S-Video

A single S-Video port is provided on the BeagleBoard. **Figure 45** is the design of the S-Video interface.

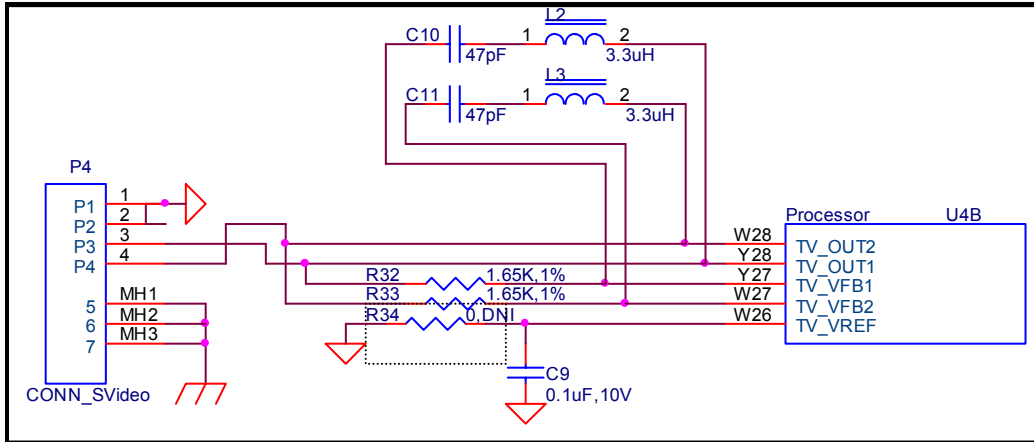


Figure 45. S-Video Interface

Table 18 is the list of the signals on the S-Video interface and their definitions.

Table 18. S-Video Interface Signals

Signal	I/O	Description
tv_out1	O	TV analog output composite
tv_out2	O	TV analog output S-VIDEO
tv_vref	I	Reference output voltage from internal bandgap
tv_vfb1	O	Amplifier feedback node
tv_vfb2	O	Amplifier feedback node

Power to the internal DAC is supplied by the **TPS65950** via the **VDAC_1V8** rail. **Figure 37** reflects the filtering that is used on these rails, including the input **VBAT** rail. A **47pf** CAP and **3.3uh** inductor are across the feedback resistors to improve the quality of the S-Video signal.

8.20 Camera Port

A new addition to the -xM is the camera port. This camera port is the native camera interface of the processor. The connector configuration is designed to be compatible with the camera modules from Leopard Imaging. USB cameras may also be used if desired, but this interface has many HW assisted features and can support camera modules from VGA to 5MP resolutions. **Figure 46** is the Camera interface design.

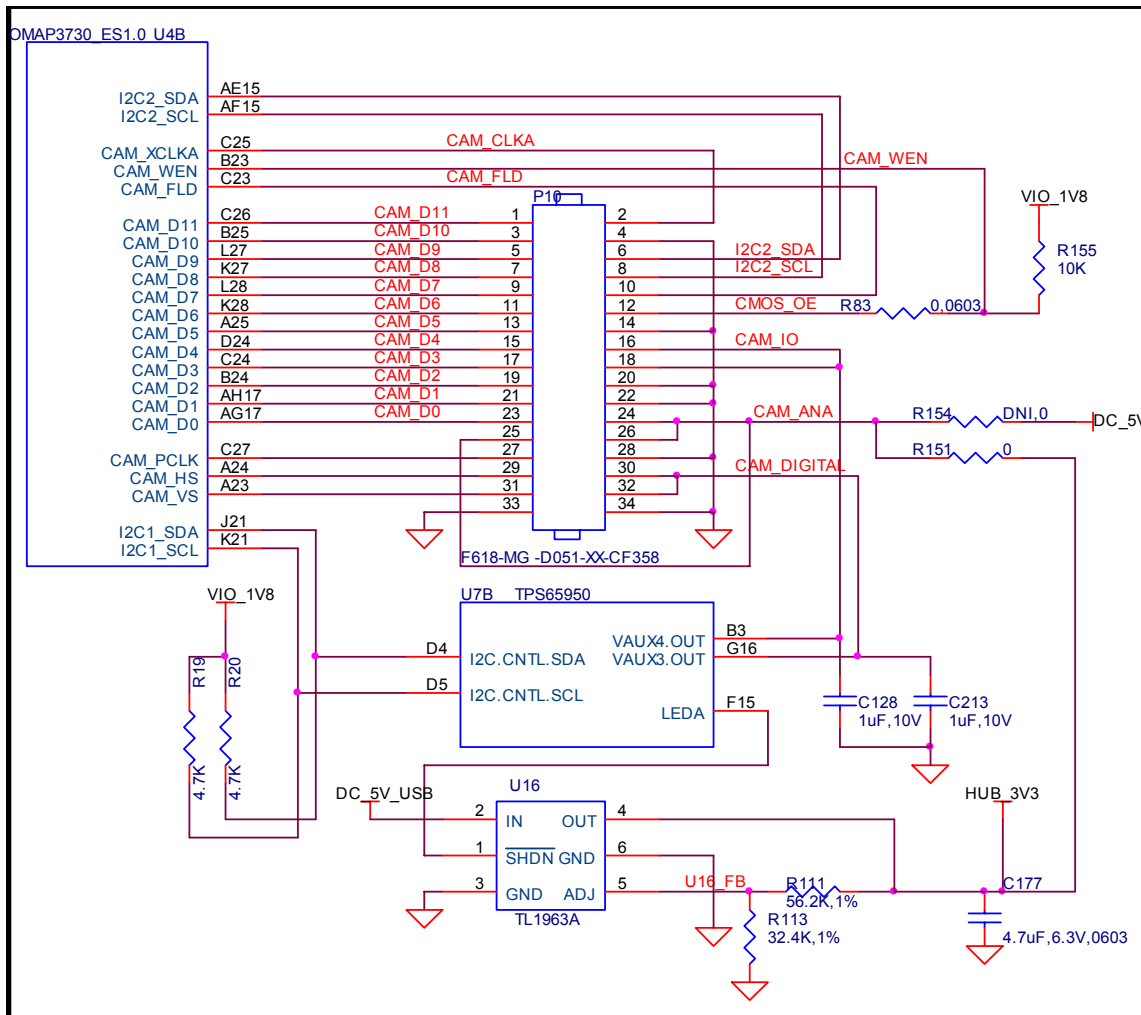


Figure 46. Camera Port Interface

The design of the camera interface is described in more detail in the remainder of this section.

8.20.1 Camera Power

There are three main power sources required by the camera module. Each of these are described in the following sections.

8.20.1.1 CAM_ANA Power

The DC input can be either 5V or 3.3V. It is selected by installing either **R151** or **R154**. The default is set at 3.3V and is controlled by turning on and off the USB HUB power rail at **U16**. The power is controlled by setting the **LEDA** signal on the **TPS65950**. Access to this register is via the **I2C2** interface on the processor.

The **5V** is on whenever a power source is applied o the board.

8.20.1.2 CAM_DIGITAL Power

The digital power is a 1.8V rail that is supplied by the **TPS65950**. The power is controlled via the **I2C1** interface from the processor by setting the VAUX4 regulator to 1.8V. This is used for the internal logic in the camera module.

8.20.1.3 CAM_IO Power

The I/O power is a 1.8V rail that is supplied by the **TPS65950**. The power is controlled via the **I2C1** interface from the processor by setting the **VAUX3** regulator to 1.8V. This will set the level of all of the interface signals to the processor.

8.20.2 Camera I2C Port

The processor uses the **I2C2** port to communicate to the camera module to set the registers in the device. There are no pullups on the board for the I2C to prevent conflict with add on boards that do have the pullups. If an add-on board is not used, the SW will need to enable the internal pullups on the I2C2 signals in order for the interface to work.

8.20.3 Processor Camera Port Interface

Table 19 shows the signals that are the interface between the processor and the camera modules. The I/O status of each pin is defined from the perspective of the processor.

The **cam_wen** signal is labeled as CMOS_OE on the schematic. All of the current camera modules do not use this signal and this signal has no affect on the operation of the camera modules. It is provided for future use.

Table 19. Camera Interface Signals

Signal	Function	Description	I/O	Processor
cam_hs	HS	Camera Horizontal Synchronization	I/O	A24
cam_vs	VS	Camera Vertical Synchronization	I/O	C25
cam_xclka	Clock	Camera Clock Output	O	
cam_d0	Camera Data	Camera image data bit 0	I	AG17
cam_d1	Camera Data	Camera image data bit 1	I	AH17
cam_d2	Camera Data	Camera image data bit 2	I	B24
cam_d3	Camera Data	Camera image data bit 3	I	C24
cam_d4	Camera Data	Camera image data bit 4	I	D24
cam_d5	Camera Data	Camera image data bit 5	I	A25
cam_d6	Camera Data	Camera image data bit 6	I	K28
cam_d7	Camera Data	Camera image data bit 7	I	L28
cam_d8	Camera Data	Camera image data bit 8	I	K27
cam_d9	Camera Data	Camera image data bit 9	I	L27
cam_d10	Camera Data	Camera image data bit 10	I	B25
cam_d11	Camera Data	Camera image data bit 11	I	C26
cam_fld	RESET	Camera field identification	I/O	C23
cam_pelk	Pixel Clock	Camera pixel clock	I	C27
cam_wen		Camera Write Enable	I	B23

The **cam_fld** signal is used as a RESET signal to the camera board. When used as a reset, the pin should be set up as a GPIO pin.

Table 20 shows the mapping of the pins on the camera sensors to the pins on the processor. In order to work with the different modules, you must take into account the order of the bits. The table covers the currently available camera modules that are compatible with the Beagle -xM. You will notice some of the lettering in red. These are signals that are not used by the camera module. In order for the data to be correct, these signals need to be tied low by enabling the internal pulldown resistors.

Table 20. Camera Pin Signal Mapping

Resolution			VGA	1.3MP	2MP	3MP	5MP
Camera Module Part Number			LI-LBCM VGA	LI-LBCM1M1	LI-LBCM2M1	LI-BCM3M1	LI-LBCM5M1
Data Width-->			10	10	10	8	12
PIN	NAME	I/O/V					
1	D11	I	D9	D9	D9	D7	D11
2	MCLK	O	MCLK	MCLK	MCLK	MCLK	MCLK
3	D10	I	D8	D8	D8	D6	D10
4	GND	PWR	GND	GND	GND	GND	GND
5	D9	I	D7	D7	D7	D5	D9
6	SDATA	I/O	SDATA	SDATA	SDATA	SDATA	SDATA
7	D8	I	D6	D6	D6	D4	D8
8	SCLK	I/O	SCLK	SCLK	SCLK	SCLK	SCLK
9	D7	I	D5	D5	D5	D3	D7
10	RESET	O	RESET	RESET	RESET	RESET	RESET
11	D6	I	D4	D4	D4	D2	D6
12	OE	O	OE	OE	OE	OE	OE
13	D5	I	D3	D3	D3	D1	D5
14	GND	PWR	GND	GND	GND	GND	GND
15	D4	I	D2	D2	D2	D0	D4
16	CAM_IO	PWR	CAM_IO	CAM_IO	CAM_IO	CAM_IO	CAM_IO
17	D3	I	D1	D1	D1	PULL-DOWN	D3
18	CAM_IO	PWR	CAM_IO	CAM_IO	CAM_IO	CAM_IO	CAM_IO
19	D2	I	D0	D0	D0	PULL-DOWN	D2
20	GND	PWR	GND	GND	GND	GND	GND
21	D1	I	PULL-DOWN	PULL-DOWN	PULL-DOWN	PULL-DOWN	D1
22	GND	PWR	GND	GND	GND	GND	GND
23	D0	I	PULL-DOWN	PULL-DOWN	PULL-DOWN	PULL-DOWN	D0
24	CAM_ANA	PWR	CAM_ANA	CAM_ANA	CAM_ANA	CAM_ANA	CAM_ANA
25	CAM_ANA	PWR	CAM_ANA	CAM_ANA	CAM_ANA	CAM_ANA	CAM_ANA
26	CAM_ANA	PWR	CAM_ANA	CAM_ANA	CAM_ANA	CAM_ANA	CAM_ANA
27	PCLK	I	PCLK	PCLK	PCLK	PCLK	PCLK
28	GND	PWR	GND	GND	GND	GND	GND
29	HS	I	HS	HS	HS	HS	HS
30	CAM_DIG	PWR	CAM_DIG	CAM_DIG	CAM_DIG	CAM_DIG	CAM_DIG
31	VS	I	VS	VS	VS	VS	VS
32	CAM_DIG	PWR	CAM_DIG	CAM_DIG	CAM_DIG	CAM_DIG	CAM_DIG
33	GND	PWR	GND	GND	GND	GND	GND
34	GND	PWR	GND	GND	GND	GND	GND

8.20.4 Camera Modules

The camera module can be purchased from Leopard Imaging or one of their distributors. It uses the same modules as the LeopardBoard DM355 version. The figure below shows the different modules that can be used. The part numbers can be found in **Table 20**.

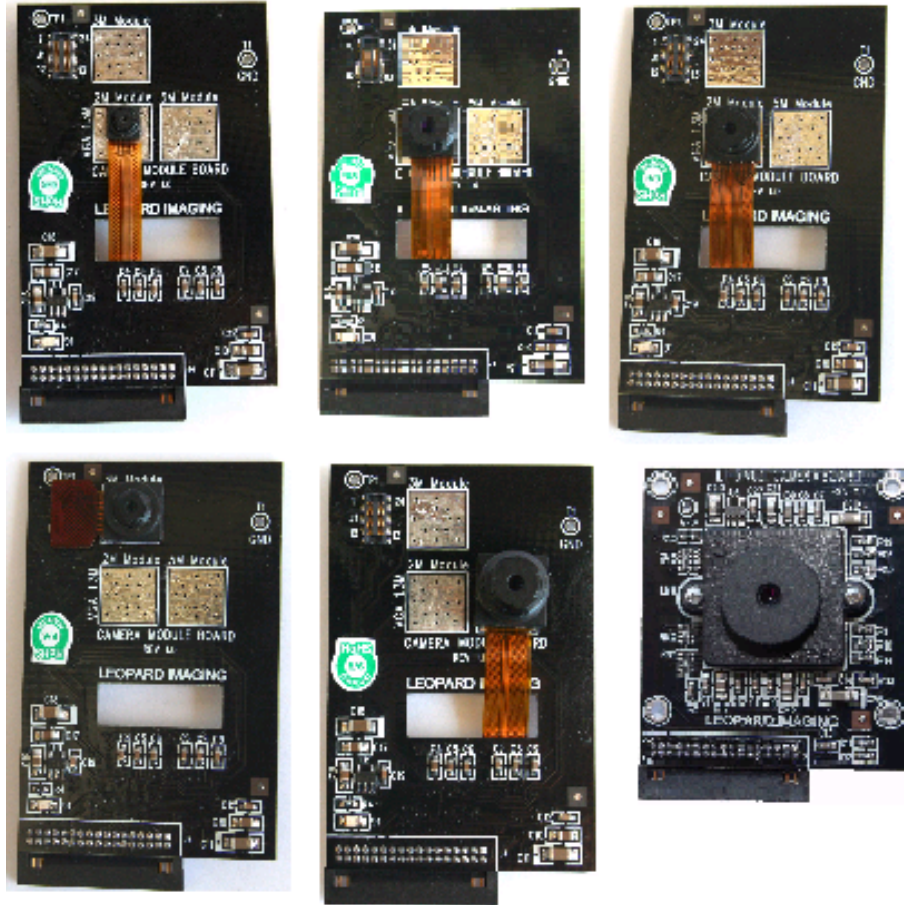


Figure 47. Camera Modules

At this time, only the VGA camera board has been confirmed to work on the -xM board. Other boards will be added as the SW drivers are completed. The 3MP module is next on the list. It is expected that all of the listed modules will work and no complications are expected as they are all compatible at the hardware level.

8.21 RS232 Port

A single RS232 port is provided on the BeagleBoard and provides access to the TX and RX lines of **UART3** on the processor. **Figure 48** shows the design of the RS232 port.

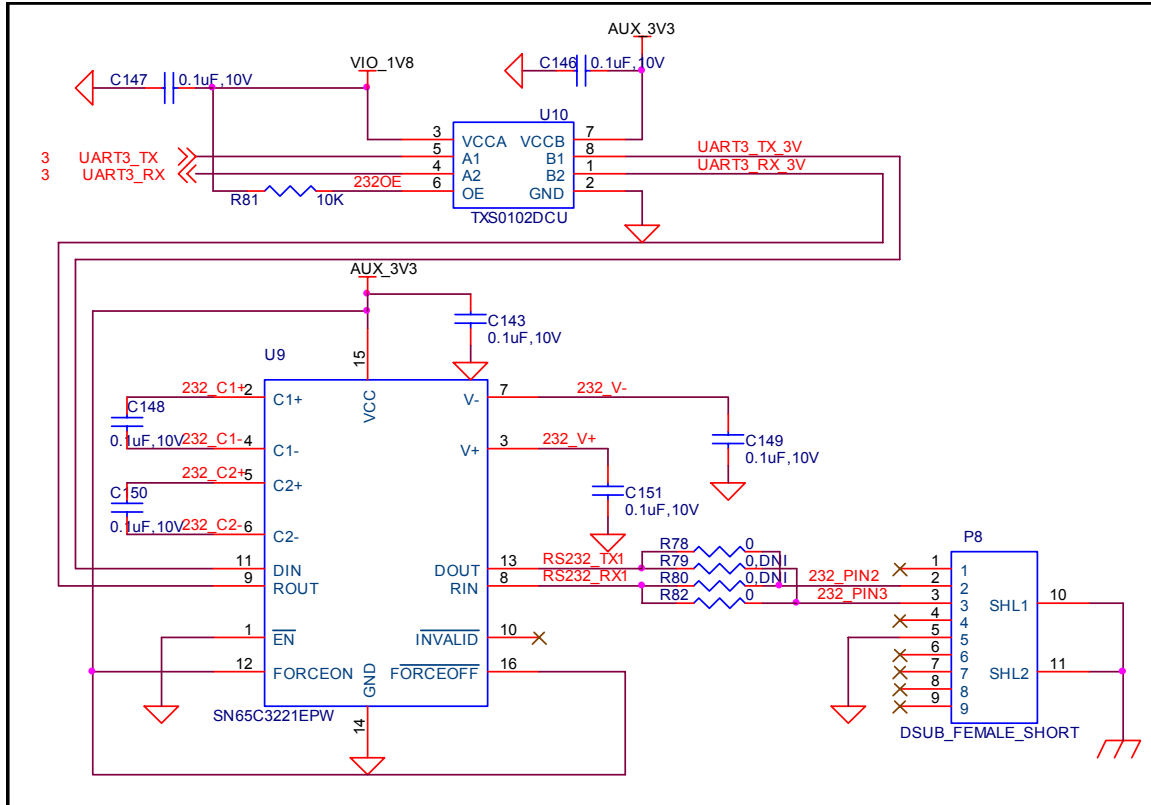


Figure 48. RS232 Interface Design

8.21.1 Processor Interface

Two lines, **UART3_Tx** and **UART3_Rx**, are provided by the processor. The **UART3** function contains a programmable baud generator and a set of fixed dividers that divide the 48-MHz clock input down to the expected baud rate and also supports auto bauding.

8.21.2 Level Translator

All of the I/O levels from the processor are **1.8V** while the transceiver used runs at 3.3V. This requires that the voltage levels be translated. This is accomplished by the **TXS0102** which is a two-bit noninverting translator that uses two separate configurable power-supply rails. The A port tracks VCCA, 1.8V and the B port tracks VCCB, 3.3V. This allows for low-voltage bidirectional translation between the two voltage nodes. When the output-enable (OE) input is low, all outputs are placed in the high-impedance state. In this design, the OE is tied high via a 10K ohm resistor to insure that it is always on.

8.21.3 RS232 Transceiver

The RS232 transceiver used is the **SN65C322** which consists of one line driver, one line receiver, and a dual charge-pump circuit with ± 15 -kV IEC ESD protection pin to pin (serial-port connection pins, including GND). These devices provide the electrical interface between an asynchronous communication controller and the serial-port connector. The charge pump and four small external capacitors allow operation from a single 3-V to 5.5-V supply. The **SN65C3221** operates at data signaling rates up to 1 Mbit/s and a driver output slew rate of 24 V/ms to 150 V/ms. While the processor can easily drive a 1Mbit/S rate, your results may vary based on cabling, distance, and the loads and drive capability on the other end of the RS232 port.

The transceiver is powered from the 3.3V rail and is active at power up. This allows the port to be used for UART based peripheral booting over the port.

8.21.4 Connector

Access to the RS232 port is through a 9 pin DB9 connector, **P9**. This is new on the -xM version and replaces the 10 pin header. A standard male to female straight DB9 cable can be used or a USB to DB9 adapter can be plugged direct into the board.

8.22 Indicators

There are five green indicators on the BeagleBoard:

- Power
- PMU_STAT
- USER0
- USER1
- HUB Power

All of the green LEDs are programmable under software control. **Figure 49** shows the connection of all of these indicators.

There is also a single RED LED on the board. Turning on this LED is not something that a person should try to do as it indicates that the user is not paying attention and has plugged in a potentially damaging power supply into the power jack.

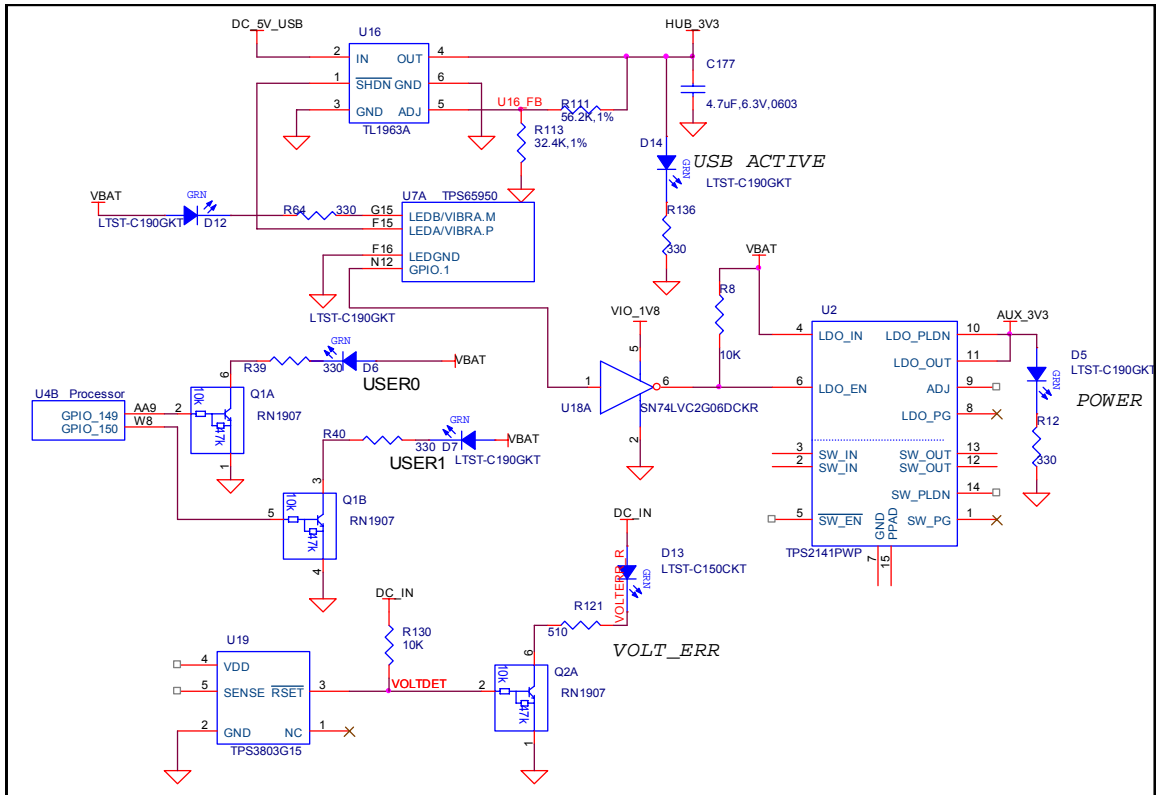


Figure 49. Indicator Design

8.22.1 Power Indicator

This indicator, **D5**, connects from the **3.3V** rail supply and ground. It indicates that the entire power path is supplying the power to the board. Indicator **D5** does not indicate which power source is being used to supply the main power to the board but only that it is active. Software does have the ability to turn off this regulator and thereby turning off the LED. By default this is always disabled on power up.

8.22.2 PMU Status Indicator

This output is driven from the **TPS65950** using the **LED.B** output. The **TPS65950** provides LED driver circuitry to power two LED circuits that can provide user indicators. The first circuit can provide up to 160 mA and the second, 50 mA. Each LED circuit is independently controllable for basic power (on/off) control and illumination level (using PWM). The second driver, **LED.B**, is used to drive an LED that is connected to the VBAT rail through a resistor.

The PWM inside the **TPS65950** can be used to alter the brightness of the LED if desired or it can be turned on or off by the processor using the I2C bus. The PWM is programmable, register-controlled, duty cycle based on a nominal 4-Hz cycle which is

derived from an internal 32-kHz clock. It is possible to set the LED to flash automatically without software control if desired.

8.22.3 User Indicators

There are two user LEDs, **D6** and **D7**, that can be driven directly from a GPIO pin on the processor. These can be used for any purpose by the software. The output level of the processor is 1.8V and the current sink capability is not enough to drive an LED with any level of brightness. A transistor pair, **RN1907** is used to drive the LEDs from the **VBAT** rail. A logic level of 1 will turn the LED on.

8.22.4 HUB Power Indicator

The HUB power LED, **D14**, is turned on whenever the USB HUB power is active. This output is driven from the **TPS65950** using the **LED.A** output. The processor can control the LED by communicating via the I2C to the **TPS65950**.

8.22.5 Overvoltage Indicators

The Over Voltage LED, **D13**, turns on whenever the DC voltage exceeds 5.3V. The detection circuit, **TPS3803**, turns on the LED.

8.23 JTAG

A JTAG header is provided to allow for advanced debugging on the BeagleBoard by using a JTAG based debugger. **Figure 50** shows the interconnection to the processor.

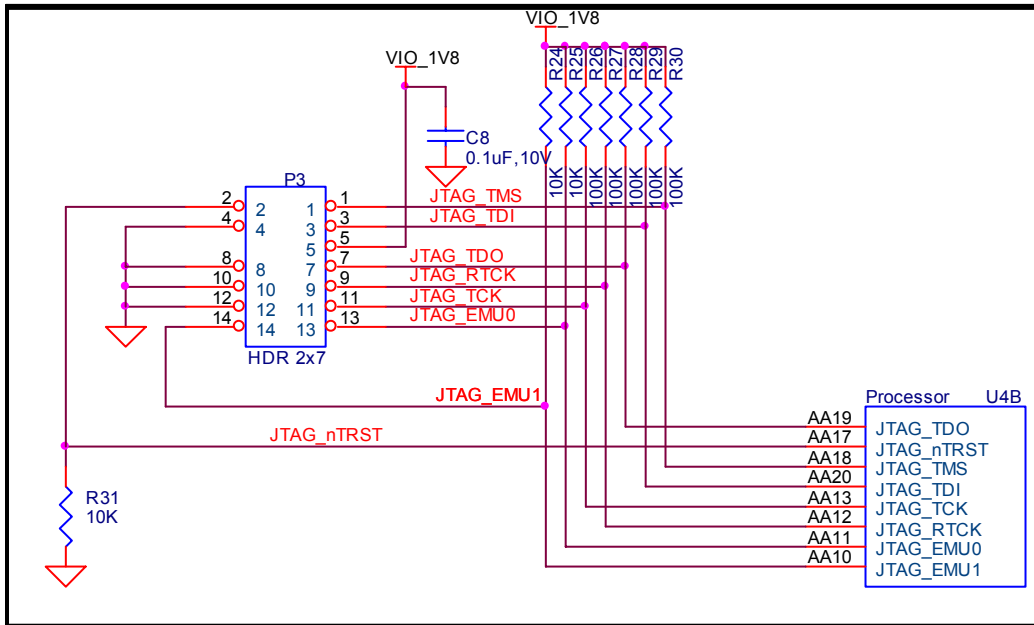


Figure 50. JTAG Interface

8.23.1 Processor Interface

The JTAG interface connects directly to the OMAP processor. All signals are a 1.8V level. **Table 21** describes the signals on the JTAG connector.

Table 21. JTAG Signals

Signal	Description	I/O
JTAG_TMS	Test mode select	I/O
JTAG_TDI	Test data input	I
JTAG_TDO	Test Data Output	O
JTAG_RTCK	ARM Clock Emulation	O
JTAG_TCK	Test Clock	I
JTAG_nTRST	Test reset	I
JTAG_EMU0	Test emulation 0	I/O
JTAG_EMU1	Test emulation 1	I/O

8.23.2 JTAG Connector

The JTAG interface uses a 14 pin connector. All JTAG emulator modules should be able to support this interface. Contact your emulator supplier for further information or if an adapter is needed.

8.24 Main Expansion Header

The expansion header is provided to allow a limited number of functions to be added to the BeagleBoard via the addition of a daughtercard.

Figure 51 is the design of the expansion connector and the interfaces to the processor.

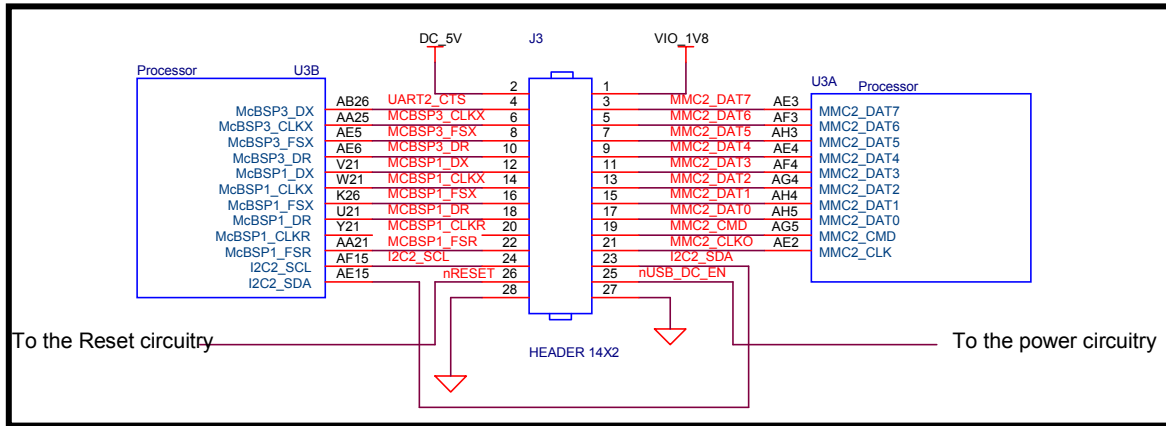


Figure 51. Main Expansion Header Processor Connections

CAUTION: The voltage levels on the expansion header are 1.8V. Exposure of these signals to a higher voltage will result in damage to the board and a voiding of the warranty.

8.24.1 Processor Interface

The main purpose of the expansion connector is to route additional signals from the processor. **Table 22** shows all of the signals that are on the expansion header. As the processor has a multiplexing feature, multiple signals can be connected to certain pins to add additional options as it pertains to the signal available. Each pin can be set individually for a different mux mode. This allows any of the listed mux modes to be set on a pin by pin basis by writing to the pin mux register in software. Following is the legend for **Table 22**.

X= there is no signal connected when this mode is selected

Z= this is the safe mode meaning neither input to output. This is the default mode on power up.

*****= this indicates that there is a signal connected when this mode is selected, but it has no useful purpose without other pins being available. Access to these other pins is not provided on the expansion connector.

The first column is the pin number of the expansion connector.

The second column is the pin number of the processor.

The columns labeled 0-7 represent each of the pin mux modes for that pin. By setting this value in the control register, this signal will be routed to the corresponding pin of the expansion connector. These settings are on a pin by pin basis. Any pin can be set with the mux register setting, and the applicable signal will be routed to the pin on the expansion connector.

Table 22. Expansion Connector Signals

EXP	Processor	0	1	2	3	4	5	6	7
1		VIO_1V8							
2		DC_5V							
3	AE3	MMC2_DAT7	*	*	*	GPIO_139	*	*	Z
4	AB26	UART2_CTS	McBSP3_DX	GPT9_PWMEVT	X	GPIO_144	X	X	Z
5	AF3	MMC2_DAT6	*	*	*	GPIO_138	*	X	Z
6	AA25	UART2_TX	McBSP3_CLKX	GPT11_PWMEVT	X	GPIO_146	X	X	Z
7	AH3	MMC2_DAT5	*	*	*	GPIO_137	*	X	Z
8	AE5	McBSP3_FSX	UART2_RX	X	X	GPIO_143	*	X	Z
9	AE4	MMC2_DAT4	*	X	*	GPIO_136	X	X	Z
10	AB25	UART2_RTS	McBSP3_DR	GPT10_PWMEVT	X	GPIO_145	X	X	Z
11	AF4	MMC2_DAT3	McSPI3_CS0	X	X	GPIO_135	X	X	Z
12	V21	McBSP1_DX	McSPI4_SIMO	McBSP3_DX	X	GPIO_158	X	X	Z
13	AG4	MMC2_DAT2	McSPI3_CS1	X	X	GPIO_134	X	X	Z
14	W21	McBSP1_CLK X	X	McBSP3_CLKX	X	GPIO_162	X	X	Z
15	AH4	MMC2_DAT1	X	X	X	GPIO_133	X	X	Z
16	K26	McBSP1_FSX	McSPI4_CS0	McBSP3_FSX	x	GPIO_161	X	X	Z
17	AH5	MMC2_DAT0	McSPI3_SOMI	X	X	GPIO_132	X	X	Z
18	U21	McBSP1_DR	McSPI4_SOMI	McBSP3_DR	X	GPIO_159	X	X	Z
19	AG5	MMC2_CMD	McSPI3_SIMO	X	X	GPIO_131	X	X	Z
20	Y21	McBSP1_CLK R	McSPI4_CLK	X	X	GPIO_156	X	X	Z
21	AE2	MMC2_CLKO	McSPI3_CLK	X	X	GPIO_130	X	X	Z
22	AA21	McBSP1_FSR	X	*	Z	GPIO_157	X	X	Z
23	AE15	I2C2_SDA	X	X	X	GPIO_183	X	X	Z
24	AF15	I2C2_SCL	X	X	X	GPIO_168	X	X	Z
25	25	REGEN							
26	26	Nreset							
27	27	GND							
28	28	GND							

8.24.2 Expansion Signals

This section provides more detail on each of the signals available on the expansion connector. They are grouped by functions in **Table 23** along with a description of each signal and the MUX setting to activate the pin. If you use these signals in their respective groups and that is the only function you use, all of the signals are available. Whether or not the signals you need are all available, depends on the muxing function on a per-pin basis. Only one signal per pin is available at any one time.

Table 23. Expansion Connector Signal Groups

Signal	Description	I/O	EXP	OMAP	Mux
SD/MMC Port 2					
MMC2_DAT7	SD/MMC data pin 7.	I/O	3	AE3	1
MMC2_DAT6	SD/MMC data pin 6.	I/O	5	AF3	1
MMC2_DAT5	SD/MMC data pin 5.	I/O	7	AH3	1
MMC2_DAT4	SD/MMC data pin 4.	I/O	9	AE4	1
MMC2_DAT3	SD/MMC data pin 3.	I/O	11	AF4	1
MMC2_DAT2	SD/MMC data pin 2.	I/O	13	AG4	1
MMC2_DAT1	SD/MMC data pin 1.	I/O	15	AH4	1
MMC2_DAT0	SD/MMC data pin 0.	I/O	17	AH5	1
MMC2_CMD	SD/MMC command signal.	I/O	19	AG5	1
MMC_CLKO	SD/MMC clock signal.	O	21	AE2	1
McBSP Port 1					
McBSP1_DR	Multi channel buffered serial port receive	I	18		
McBSP1_CLKS	-----	N/A	N/A		
McBSP1_FSR	Multi channel buffered serial port transmit frame sync RCV	I/O	22		
McBSP1_DX	Multi channel buffered serial port transmit	I/O	12		
McBSP1_CLKX	Multi channel buffered serial port transmit clock	I/O	14		
McBSP1_FSX	Multi channel buffered serial port transmit frame sync XMT	I/O	16		
McBSP1_CLKR	Multi channel buffered serial port receive clock	I/O	20		
I2C Port 2					
I2C2_SDA	I2C data line.	I/O	23		
I2C2_SCL	I2C clock line	I/O	24		
McBSP Port 3					
McBSP3_DR	Multi channel buffered serial port receive	I	10,18		
McBSP3_DX	Multi channel buffered serial port transmit	I/O	4,12		
McBSP3_CLKX	Multi channel buffered serial port receive clock	I/O	6,14		
McBSP3_FSX	Multi channel buffered serial port frame sync transmit	I/O	8,16		
General Purpose I/O Pins					
GPIO_130	GP Input/Output pin. Can be used as an interrupt pin.	I/O	21		
GPIO_131	GP Input/Output pin. Can be used as an interrupt pin.	I/O	19		
GPIO_132	GP Input/Output pin. Can be used as an interrupt pin.	I/O	17		
GPIO_133	GP Input/Output pin. Can be used as an interrupt pin.	I/O	15		
GPIO_134	GP Input/Output pin. Can be used as an interrupt pin.	I/O	13		
GPIO_135	GP Input/Output pin. Can be used as an interrupt pin.	I/O	11		
GPIO_136	GP Input/Output pin. Can be used as an interrupt pin.	I/O	9		
GPIO_137	GP Input/Output pin. Can be used as an interrupt pin.	I/O	7		
GPIO_138	GP Input/Output pin. Can be used as an interrupt pin.	I/O	5		
GPIO_139	GP Input/Output pin. Can be used as an interrupt pin.	I/O	3		
GPIO_143	GP Input/Output pin. Can be used as an interrupt pin.	I/O	8		
GPIO_144	GP Input/Output pin. Can be used as an interrupt pin.	I/O	4		
GPIO_145	GP Input/Output pin. Can be used as an interrupt pin.	I/O	10		
GPIO_146	GP Input/Output pin. Can be used as an interrupt pin.	I/O	6		
GPIO_156	GP Input/Output pin. Can be used as an interrupt pin.	I/O	20		
GPIO_158	GP Input/Output pin. Can be used as an interrupt pin.	I/O	12		
GPIO_159	GP Input/Output pin. Can be used as an interrupt pin.	I/O	18		
GPIO_161	GP Input/Output pin. Can be used as an interrupt pin.	I/O	16		
GPIO_162	GP Input/Output pin. Can be used as an interrupt pin.	I/O	14		

GPIO_168	GP Input/Output pin. Can be used as an interrupt pin.	I/O	24		
GPIO_183	GP Input/Output pin. Can be used as an interrupt pin.	I/O	23		
McSPI Port 3					
McSPI3_CS0	Multi channel SPI chip select 0	O	11		
McSPI3_CS1	Multi channel SPI chip select 1	O	13		
McSPI3_SIMO	Multi channel SPI slave in master out	I/O	19		
McSPI3_SOMI	Multi channel SPI slave out master in	I/O	17		
McSPI3_CLK	Multi channel SPI clock	I/O	21		
McSPI Port 4					
McSPI4_SIMO	Multi channel SPI slave in master out	I/O	12		
McSPI4_SOMI	Multi channel SPI slave out master in	I/O	18		
McSPI4_CS0	Multi channel SPI chip select 0	O	16		
McSPI4_CLK	Multi channel SPI clock	I/O	20		
UART Port 2					
UART2_CTS	UART clear to send.	I/O	4		
UART2_RTS	UART request to send	O	10		
UART2_RX	UART receive	I	8		
UART2_TX	UART transmit	O	6		
GPT PWM					
GPT9_PWMEVT	PWM or event for GP timer 9	O	4		
GPT11_PWMEVT	PWM or event for GP timer 11	O	10		
GPT10_PWMEVT	PWM or event for GP timer 10	O	8		

8.24.3 Power

The expansion connector provides two power rails. The first is the **VIO_1.8V** rail which is supplied by the **TPS65950**. This rail is limited in the current it can supply from the **TPS65950** and what remains from the current consumed by the BeagleBoard and is intended to be used to provide a rail for voltage level conversion only. It is not intended to power a lot of circuitry on the expansion board. All signals from the BeagleBoard are at 1.8V.

The other rail is the **DC_5V**. The same restriction exists on this rail as mentioned in the USB section. The amount of available power to an expansion board depends on the available power from the DC supply or the USB supply from the PC.

8.24.4 Reset

The **nRESET** signal is the main board reset signal. When the board powers up, this signal will act as an input to reset circuitry on the expansion board. After power up, a system reset can be generated by the expansion board by taking this signal low. This signal is a 1.8V level signal.

8.24.5 Power Control

There is an additional open-drain signal on the connector called **REGEN**. The purpose of this signal is to provide a means to control power circuitry on the expansion card to turn on and off the voltages. This insures that the power on the expansion board is turned on at the appropriate time. Depending on what circuitry is provided on the expansion board, an

additional delay may be needed to be added before the circuitry is activated. Refer to the processor and **TPS65950** documentation for more information.

8.25 LCD Expansion Header

If you choose not to use the LCD headers for access to the LCD signals or for the DVI-D interface, they can also be used for other functions on the board based on the pin mux setting of each pin. **Table 24** shows the options for **P11** and **Table 25** shows the options for **P135**. The MUX: column indicates which MUX mode must be set for each pin to make the respective signals accessible on the pins of the processor.

Table 24. P11 GPIO Signals

Pin#	Signal	MUX:0	MUX:2	MUX:4
3	DVI_DATA1	DATA1	UART1_RTS	GPIO71
4	DVI_DATA0	DATA0	UART1_CTS	GPIO70
5	DVI_DATA3	DATA3	-	GPIO73
6	DVI_DATA2	DATA2	-	GPIO72
7	DVI_DATA5	DATA5	UART3_TX	GPIO75
8	DVI_DATA4	DATA4	UART3_RX	GPIO74
9	DVI_DATA12	DATA12		GPIO82
10	DVI_DATA10	DATA10	-	GPIO79
11	DVI_DATA23	DATA23	-	GPIO93
12	DVI_DATA14	DATA14	-	GPIO84
13	DVI_DATA19	DATA19	McSPI3_SIMO	GPIO89
14	DVI_DATA22	DATA22	McSPI3_CS1	GPIO92
15	I2C3_SDA	I2C3_SDA	-	-
16	DVI_DATA11	DATA11	-	GPIO81
17	DVI_VSYNC	VSYNC	-	GPIO68
18	DVI_PUP	DVI_PUP	-	-

Table 25. P13 GPIO Signals

Pin#	Signal	MUX:0	MUX:2	MUX:4
3	DVI_DATA20	DATA20	McSPI3_SOMI	GPIO90
4	DVI_DATA21	DATA21	McSPI3_CS0	GPIO91
5	DVI_DATA17	DATA17	-	GPIO87
6	DVI_DATA18	DATA18	McSPI3_CLK	GPIO88
7	DVI_DATA15	DATA15	-	GPIO85
8	DVI_DATA16	DATA16	-	GPIO86
9	DVI_DATA7	DATA7	UART1_RX	GPIO77
10	DVI_DATA13	DATA13	-	GPIO83
11	DVI_DATA8	DATA8	-	GPIO78
12	NC	-	-	-
13	DVI_DATA9	DATA9	-	GPIO79
14	I2C3_SCL	I2C3_SCL		-
15	DVI_DATA6	DATA6	UART1_TX	GPIO_76
16	DVI_CLK+	PCLK	-	GPIO66
17	DVI_DEN	DEN	-	GPIO69
18	DVI_HSYNC	HSYNC	-	GPIO67

8.26 Auxiliary Expansion Header

New to the –xM version is the addition of expansion header called the Auxiliary Expansion Header. As is the case with many of the signals on the various connectors, these pins have multiple functions mapped per pin. **Table 26** below is the pin out of the MMC Connector. In order to access other signals on these pins, the pin muxing register will need to be set as needed on a per pin basis.

Table 26. P13 Auxiliary Expansion Signals

PIN	SIGNAL	PROC	0	1	2	3	4	5
1			VIO_1V8					
2			VMMC2					
3	MMC3_DAT2	AF13	ETK_D6	MCBSP5_DX	MMC3_DAT2	HSUSB1_D6	GPIO_20	
4	MMC3_DAT7	AH14	ETK_D7	MCSP13_CS1	MMC3_DAT7	HSUSB1_D3	GPIO_21	MM1_TXEN_N
5	MMC3_DAT3	AE13	ETK_D3	MCSP13_CLK	MMC3_DAT3	HSUSB1_D7	GPIO_17	
6	GPIO_16	AH12	ETK_D2	MCSP13_CS0		HSUSB1_D2	GPIO_16	MM1_TXDAT
7	GPIO_15	AG12	ETK_D1	MCBSP13_SOMI		HSUSB1_D1	GPIO_15	MM1_TXSE0
8	MMC3_DAT1	AH9	ETK_D5	MCBSP5_FSX	MMC3_DAT1	HSUSB1_D5	GPIO_19	
9	MMC3_DAT5	AG9	ETK_D9	SERCURE_IND	MMC3_DAT5	HSUSB1_NXT	GPIO_23	MM1_RX
10	MMC3_DAT4	AF11	ETK_D0	MCSP13_SIMO	MMC3_DAT4	HSUSB1_D0	GPIO_14	MM1_RXRCV
11	MMC3_DAT0	AE11	ETK_D4	MCBSP5_DR	MMC3_DAT0	HSUSB1_D4	GPIO_18	
12	MMC3_CMD	AE10	ETK_CTL		MMC3_CMD	HSUSB1_CLK	GPIO_13	
13	MMC3_DAT6	AF9	ETK_D8	DRM_SECURE	MMC3_DAT6	HSUSB1_DIT	GPIO_22	
14	MMC3_CLK	AF10-	ETK_CLK	MCBSP5_CLKX	MMC3_CLK	HSUSB1_STP	GPIO_12	MM1_RXDP
15	HDQ	J25	HDQ	SYS_ALTCLK			GPIO_170	
16	DMAREQ3	P8		DMAREQ3		GPT11_PWM	GPIO_57	
17	AUX_DC		AUX_ADC					
18	PWR_CNTRL		PWR_CNTRL					
19			GND					
20			GND					

The following sections provide a brief description of the functions of the pins available. For a more complete description, please refer to the datasheet or Technical Reference Manuals. Not all of these signals can be used at the same time. Only one signal can be used per pin at one time based on the setting of the pin mux registers in the processor. Make sure that you set the correct mux mode when using these signals for their various configurations.

8.26.1 MCBSP5 Signals

Access to McBSP5 is provided as an option on the connector. **Table 27** below shows the pins that the McBSP5 interface appears on. In order to see these signals, the mux mode for each pin must be set to 1.

Table 27. P13 McBSP5 Expansion Signals

PIN	SIGNAL	I/O	DESCRIPTION	PROC PINS
3	MCBSP5_DX	O	Transmitted Data	AF13
8	MCBSP5_FSX	O	Frame Sync	AH9
11	MCBSP5_DR	I	Received Data	AE11
14	MCBSP5_CLKX	O	Serial Clock	AF10-

8.26.2 MMC3 Signals

These signals can be used to provide an additional SD/MMC interface on an expansion board. All of these signals are 1.8V, so if you plan to use the signals as an SD/MMC interface, then a level shifter will be required. In order to access these signals, they must be in Mux mode 2. **Table 28** is a description of these signals.

Table 28. P13 MMC3 Expansion Signals

PIN	SIGNAL	I/O	PROC	DESCRIPTION
3	MMC3_DAT2	I/O	AF13	Bidirectional data pin.
4	MMC3_DAT7	I/O	AH14	Bidirectional data pin.
5	MMC3_DAT3	I/O	AE13	Bidirectional data pin.
8	MMC3_DAT1	I/O	AH9	Bidirectional data pin.
9	MMC3_DAT5	I/O	AG9	Bidirectional data pin.
10	MMC3_DAT4	I/O	AF11	Bidirectional data pin.
11	MMC3_DAT0	I/O	AE11	Bidirectional data pin.
12	MMC3_CMD	O	AE10	Command indicator signal
13	MMC3_DAT6	I/O	AF9	Bidirectional data pin.
14	MMC3_CLK	O	AF10-	Clock

This interface could also be used to communicate to an FPGA or a WLAN device that uses the SDIO style interface.

8.26.3 ETK Signals

The ETK signals can be used to provide additional debugging information. For more information on the use of these signals, please refer to the processor Technical reference Manual. **Table 29** has the signals for the ETK interface that are provided.

Table 29. P13 Auxiliary ETK Signals

PIN	SIGNAL	I/O	PROC	DESCRIPTION
3	ETK_D6	O	AF13	Trace data pin.
4	ETK_D7	O	AH14	Trace data pin.
5	ETK_D3	O	AE13	Trace data pin.
6	ETK_D2	O	AH12	Trace data pin.
7	ETK_D1	O	AG12	Trace data pin.
8	ETK_D5	O	AH9	Trace data pin.
9	ETK_D9	O	AG9	Trace data pin.
10	ETK_D0	O	AF11	Trace data pin.
11	ETK_D4	O	AE11	Trace data pin.
12	ETK_CTL	O	AE10	Trace control signal.
13	ETK_D8	O	AF9	Trace data pin.
14	ETK_CLK	O	AF10-	Trace clock.

8.26.4 HSUSB1 Signals

These signals are the other High Speed USB port found on the processor. It is the same interface that is used to communicate to the UBS PHY on the board, but a different port. **Table 30** gives the signals that are used for this interface. In order for these pins to be used, the pin mux must be set to **Mode 3**.

Table 30. P13 High Speed USB Expansion Signals

PIN	SIGNAL	I/O	PROC	DESCRIPTION
3	HSUSB1_D6	I/O	AF13	Bidirectional Data
4	HSUSB1_D3	I/O	AH14	Bidirectional Data
5	HSUSB1_D7	I/O	AE13	Bidirectional Data
6	HSUSB1_D2	I/O	AH12	Bidirectional Data
7	HSUSB1_D1	I/O	AG12	Bidirectional Data
8	HSUSB1_D5	I/O	AH9	Bidirectional Data
9	HSUSB1_NXT	I	AG9	Next signal
10	HSUSB1_D0	I/O	AF11	Bidirectional Data
11	HSUSB1_D4	I/O	AE11	Bidirectional Data
12	HSUSB1_CLK	O	AE10	60MHZ Clock output
13	HSUSB1_DIR	I	AF9	Data direction signal
14	HSUSB1_STP	O	AF10-	Stop signal

8.26.5 Alternate Clock

The **SYS_ALTCLK** signal can be used to provide an alternate system clock into the processor. This can be used for things such as the GPTIMERS, USB, or as a clock for the NTSC/PAL S-Video output.

8.26.6 HDQ 1-Wire

The HDQ/1-Wire module implements the hardware protocol of the master functions of the Benchmarq HDQ and the Dallas Semiconductor 1-Wire® protocols. These protocols use a single wire for communication between the master (HDQ/1-Wire controller) and the slaves (HDQ/1-Wire external compliant devices).

8.26.7 ADC

There is one A to D converter pin provided on the Auxiliary Expansion Header. This pin is labeled **AUX_ADC** and connects to the **ADCIN6** pin of the **TPS65950** and can be controlled and read by the processor using the I2C1 interface. There are voltage level restrictions to this pin, so refer to the **TPS65950** documentation before using this pin.

8.26.8 GPIO Signals

Most of the signals can also be configured as either inputs or outputs from the processor. **Table 31** shows the GPIO pin options that can be used on each pin of the connector.

Table 31. P13 Auxiliary GPIO Signals

PIN	SIGNAL	I/O	PROC	DESCRIPTION
3	GPIO_20	I/O	AF13	General Purpose Input/Output
4	GPIO_21	I/O	AH14	General Purpose Input/Output
5	GPIO_17	I/O	AE13	General Purpose Input/Output
6	GPIO_16	I/O	AH12	General Purpose Input/Output
7	GPIO_15	I/O	AG12	General Purpose Input/Output
8	GPIO_19	I/O	AH9	General Purpose Input/Output
9	GPIO_23	I/O	AG9	General Purpose Input/Output
10	GPIO_14	I/O	AF11	General Purpose Input/Output
11	GPIO_18	I/O	AE11	General Purpose Input/Output
12	GPIO_13	I/O	AE10	General Purpose Input/Output
13	GPIO_22	I/O	AF9	General Purpose Input/Output
14	GPIO_12	I/O	AF10-	General Purpose Input/Output
15	GPIO_170	I/O	J25	General Purpose Input/Output
16	GPIO_57	I/O	P8	General Purpose Input/Output

8.26.9 DMAREQ

Pin 16 of the expansion connector can also be configured for a **DMAREQ** pin. Refer to the processor Technical Reference Manual for more information on how to use this signal.

8.27 Audio Expansion Header

Also new to the -xM is the addition of the Audio Header that provides access to the **McBSP2** bus that connects to the **TPS65950**. This is the primary audio bus for the processor. For further information on these signals, refer to **Section 8.16.2**

9.0 Connector Pinouts and Cables

This section provides a definition of the pinouts and cables to be used with all of the connectors and headers on the BeagleBoard.

THERE ARE NO CABLES SUPPLIED WITH THE BEAGLEBOARD.

9.1 Power Connector

Figure 52 is a picture of the BeagleBoard power connector with the pins identified. The supply must have a 2.1mm center hot connector with a 5.5mm outside diameter.

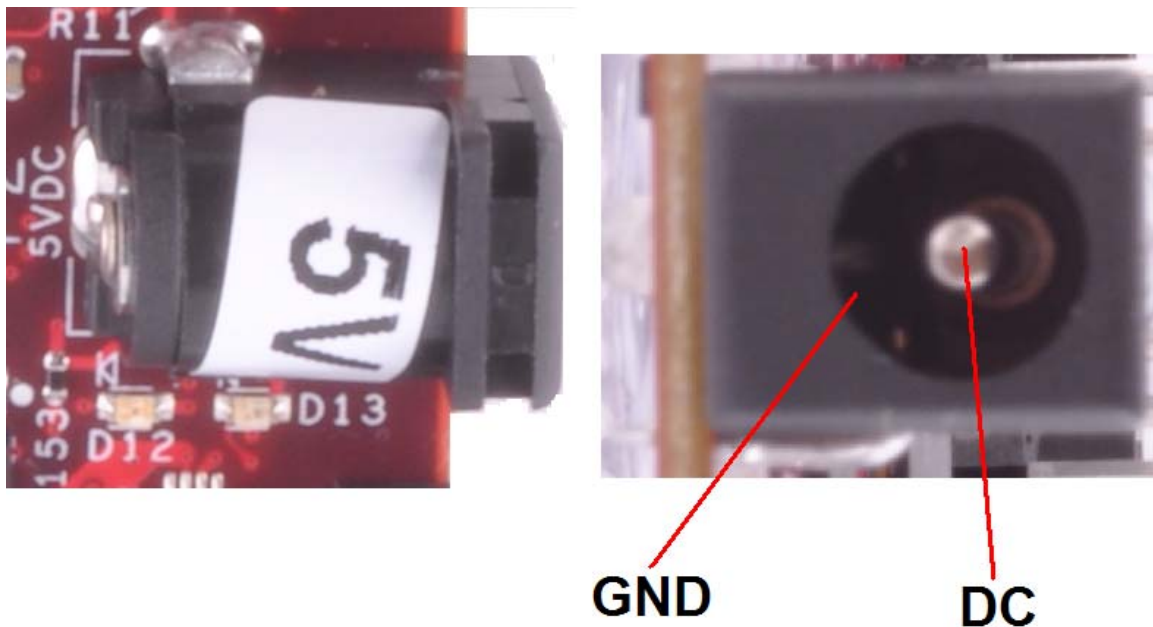


Figure 52. Power Connector

The supply must be at least 1A with a maximum of 3A. If the expansion connector is used, more power will be required depending on the load of the devices connected to the expansion connector.

9.2 USB OTG

Figure 53 is a picture of the BeagleBoard USB OTG connector with the pins identified.

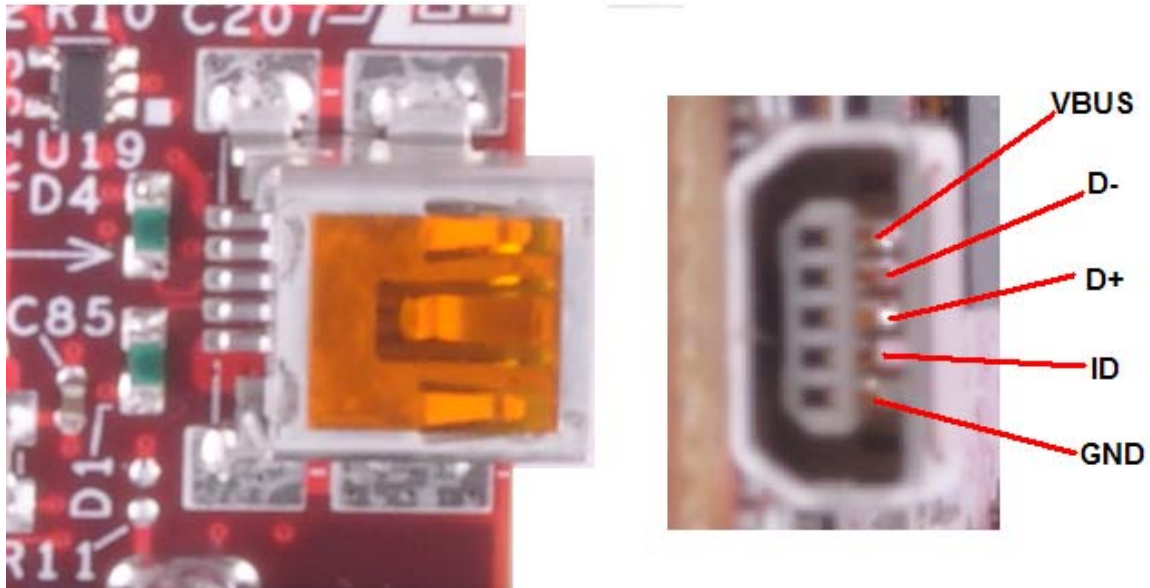


Figure 53. USB OTG Connector

The shorting pads, **J1**, to convert the OTG port to a Host mode are found in Figure 54.

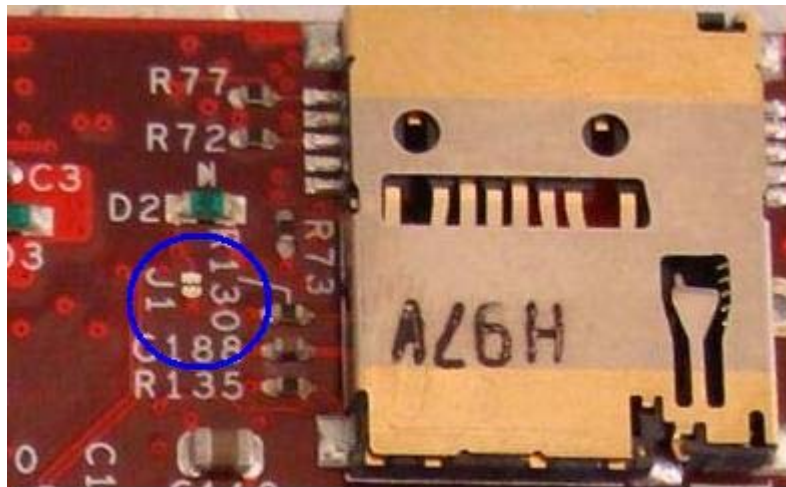


Figure 54. OTG Host Shorting Pads

9.3 S-Video

Figure 55 is the S-Video connector on the BeagleBoard.

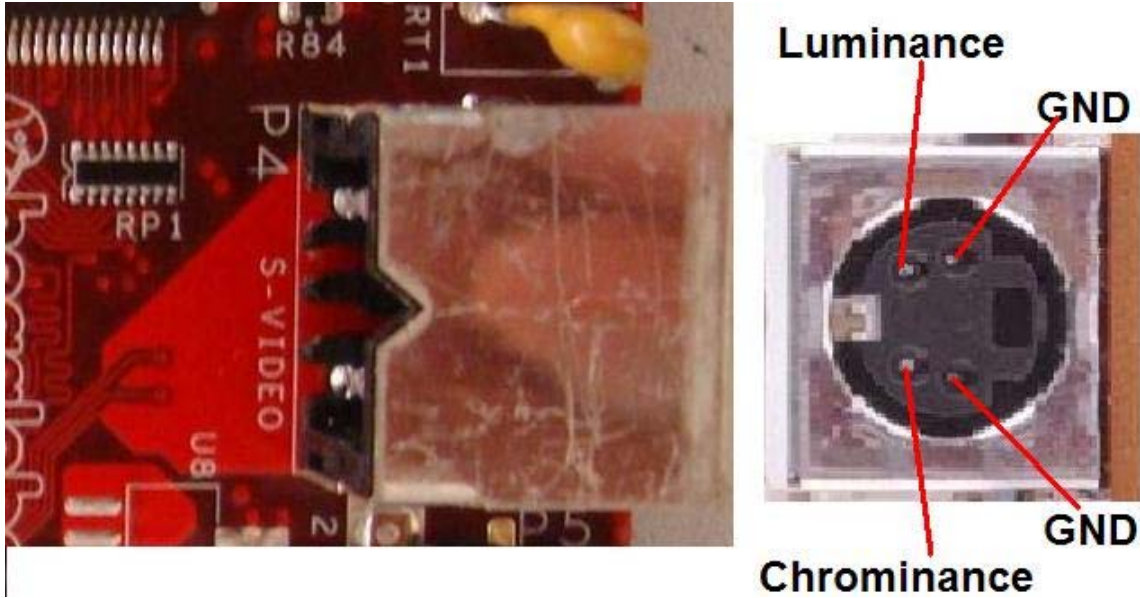


Figure 55. S-Video Connector

9.4 DVI-D

Figure 56 is the pinout of the DVI-D connector on BeagleBoard.

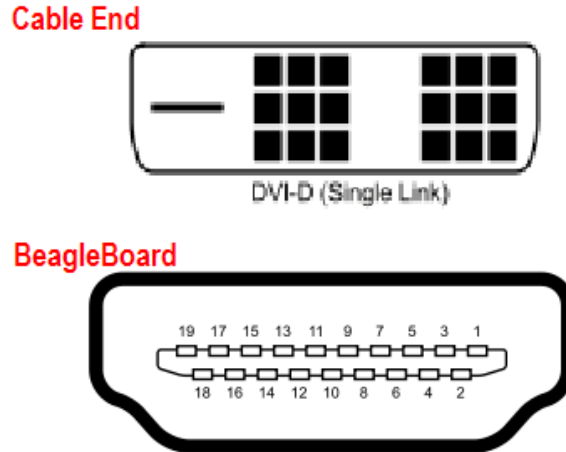


Figure 56. DVI-D Connector

Table 32 is the pin numbering of the two ends of the cable as it relates to the signals used in the DVI-D interface itself.

Table 32. DVI-D to HDMI Cable

SIGNAL	DVI-D PIN#	HDMI PIN#
DATA 2-	1	3
DATA 2+	2	1
SHIELD	3	2
	4	
	5	
DDS CLOCK	6	15
DDS DATA	7	16
	8	
DATA 1-	9	6
DATA 1+	10	4
SHIELD	11	5
	12	
	13	
5V	14	18
GROUND (5V)	15	17
	16	
DATA 0-	17	9
SIGNAL	DVI-D PIN#	DVI-D PIN#
DATA 0+	18	7
SHIELD	19	5
	20	
	21	
	22	
CLOCK+	23	10
CLOCK-	24	12

DO NOT PLUG IN THE DVI-D CONNECTOR TO A DISPLAY WITH THE BEAGLEBOARD POWERED ON. PLUG IN THE CABLE TO THE DISPLAY AND THEN POWER ON THE BEAGLEBOARD.

Figure 57 is one of the cables that can be used to connect to an LCD monitor.



Figure 57. DVI-D Cable

A standard HDMI cable may be used as well as long as it is used with an adapter if you are connecting to a monitor via the DVI-D port. Figure 58 shows this configuration.



Figure 58. DVI-D Cable

In some cases, the HDMI to HDMI connector could be used to connect direct to a monitor equipped with a HDMI port. In some cases, the BeagleBoard may not work if the display timing is not accepted by the display. It should also be noted that no audio will be provided over this interface.

9.5 LCD

This section covers the pair of headers that provide access to the raw 1.8V DSS signals from the processor. This provides the ability to create adapters for such things as different LCD panels, LVDS interfaces, etc.

9.5.1 Connector Pinout

The **Table 33** and **34** define the pinout of the LCD connectors. All signal levels are 1.8V with the exception of DVI_PUP signal which is 3.3V.

Table 33. P11 LCD Signals

Pin#	Signal	I/O	Description
1	DC_5V	PWR	DC rail from the Main DC supply
2	DC_5V	PWR	DC rail from the Main DC supply
3	DVI_DATA1	O	LCD Pixel Data bit
4	DVI_DATA0	O	LCD Pixel Data bit
5	DVI_DATA3	O	LCD Pixel Data bit
6	DVI_DATA2	O	LCD Pixel Data bit
7	DVI_DATA5	O	LCD Pixel Data bit
8	DVI_DATA4	O	LCD Pixel Data bit
9	DVI_DATA12	O	LCD Pixel Data bit
10	DVI_DATA10	O	LCD Pixel Data bit
11	DVI_DATA23	O	LCD Pixel Data bit
12	DVI_DATA14	O	LCD Pixel Data bit
13	DVI_DATA19	O	LCD Pixel Data bit
14	DVI_DATA22	O	LCD Pixel Data bit
15	I2C3_SDA	I/O	I2C3 Data Line
16	DVI_DATA11	O	LCD Pixel Data bit
17	DVI_VSYNC	O	LCD Vertical Sync Signal
18	DVI_PUP	O	Control signal for the DVI controller. When Hi, DVI is enabled. Can be used to activate circuitry on adapter board if desired.
19	GND	PWR	Ground bus
20	GND	PWR	Ground bus

Table 34. P13 LCD Signals

Pin#	Signal	I/O	Description
1	3.3V	PWR	3.3V reference rail
2	VIO_1V8	PWR	1.8V buffer reference rail.
3	DVI_DATA20	O	LCD Pixel Data bit
4	DVI_DATA21	O	LCD Pixel Data bit
5	DVI_DATA17	O	LCD Pixel Data bit
6	DVI_DATA18	O	LCD Pixel Data bit
7	DVI_DATA15	O	LCD Pixel Data bit
8	DVI_DATA16	O	LCD Pixel Data bit
9	DVI_DATA7	O	LCD Pixel Data bit
10	DVI_DATA13	O	LCD Pixel Data bit
11	DVI_DATA8	O	LCD Pixel Data bit
12	NC		No connect
13	DVI_DATA9		LCD Pixel Data bit
14	I2C3_SCL	I/O	I2C3 Clock Line
15	DVI_DATA6	O	LCD Pixel Data bit
16	DVI_CLK+	O	DVI Clock
17	DVI_DEN	O	Data Enable
18	DVI_HSYNC	O	Horizontal Sync
19	GND	PWR	Ground bus
20	GND	PWR	Ground bus

Figure 59 shows where pins 1 and 2 are located on each connector, front and back sides shown. The top side pins make for convenient test points if needed.

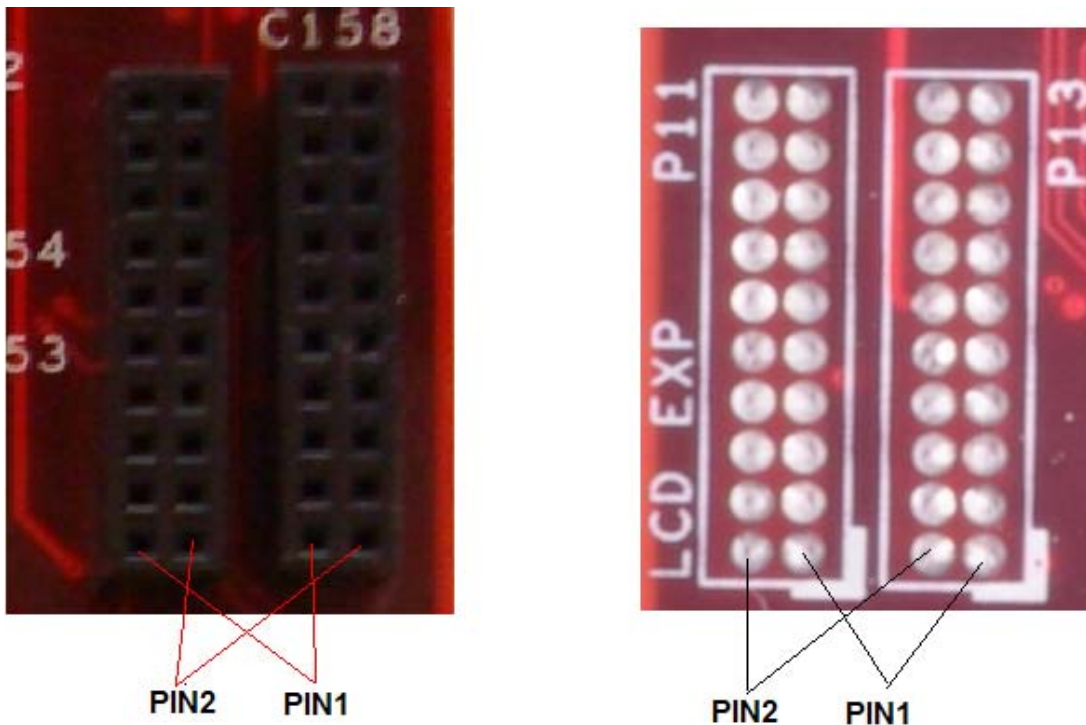


Figure 59. LCD Expansion Connector Pins

9.5.2 Camera

Table 35 is the pinout of the camera connector on the board. Figure 60 shows the pin number and location of the camera connector.

Table 35. P10 Camera Signals

Pin#	Signal	I/O	Description
1	CAM_D11	I	Camera Data 11
2	CAM_CLKA	O	Camera main clock
3	CAM_D10	I	Camera Data 10
4	GND	PWR	Ground
5	CAM_D9	I	Camera Data 9
6	I2C_SCL		Camera control data
7	CAM_D8	I	Camera Data 8
8	I2C_SCL	I/O	Camera control clock
9	CAM_D7	I	Camera Data 7
10	CAM_FLD	I	Camera Reset
11	CAM_D6	I	Camera Data 6
12	CAM_WEN	I	Camera Output enable
13	CAM_D5	I	Camera Data 5
14	GND	PWR	Ground
15	CAM_D4	I	Camera Data 4
16	CAM_2V8	PWR	Camera 2.8V core voltage
17	CAM_D3	I	Camera Data 3
18	CAM_2V8	PWR	Camera 2.8V core voltage
19	CAM_D2	I	Camera Data 2
20	GND	PWR	Ground
21	CAM_D1	I	Camera Data 1
22	GND	PWR	Ground
23	CAM_D0	I	Camera Data 0
24	DC_5V	PWR	5V supply
25	DC_5V	PWR	5V supply
26	DC_5V	PWR	5V supply
27	CAM_PCLK	I	Camera Pixel Clock
28	GND	PWR	Ground
29	CAM_HS	I	Camera Horizontal Sync
30	CAM_1V8	PWR	1.8V IO rail
31	CAM_VS	I	Camera vertical Sync
32	CAM_1V8	PWR	1.8V IO rail
33	GND	PWR	Ground
34	GND	PWR	Ground



Figure 60. Camera Connector

Figure 61 is the front of the camera module. The camera should face to the edge of the board (Left) when installed. The camera module is not supplied with the BeagleBoard.



Figure 61. Camera Module

9.5.3 Audio McBSP2 Port

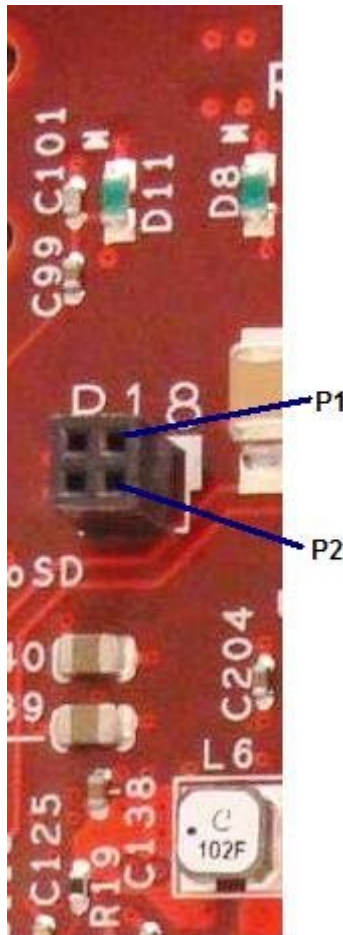
New to the -xM version is the addition of a four pin connector that provides access to the McBSP2 audio serial interface. While other McBSP ports can be used for audio, McBSP is the most desirable due its large buffers. **Table 36** is the pin out of the connector.

Table 36. P10 McBSP2 Signals

Pin#	Signal	I/O	Description
1	McBSP2_DX	O	Transmit Out
2	McBSP2_FSX	O	Frame Sync
3	McBSP2_DR	I	Receive In
4	McBSP2_CLKX	O	Clock

Figure 62 is the pin number location of P10.

Figure 62. McBSP Audio Connector



9.5.4 Auxiliary Access Header

Table 37 gives the signal names of the pins on the Auxiliary Access Connector.

Table 37. P17 Auxiliary Access Signals

Pin#	Signal	I/O	Description
1	VIO_1V8	PWR	1.8V IO Rail
2	VMMC2	PWR	1.85V to 3.15V Rail. Configurable via SW.
3	MMC3_DAT2	I/O	MMC interface data pin.
4	MMC3_DAT7	I/O	MMC interface data pin.
5	MMC3_DAT3	I/O	MMC interface data pin.
6	GPIO_16	I/O	General purpose I/O pin
7	GPIO_15	I/O	General purpose I/O pin
8	MMC3_DAT	I/O	MMC interface data pin.
9	MMC3_DAT5	I/O	MMC interface data pin.
10	MMC3_DAT4	I/O	MMC interface data pin.
11	MMC3_DAT0	I/O	MMC interface data pin.
12	MMC3_CMD	O	MMC CMD signal pin
13	MMC3_DAT6	I/O	MMC interface data pin.
14	MMC3_CLK	O	MMC clock pin
15	HDQ	I/O	I-wire interface pin
16	DMAREQ3	I/O	DMA request input pin
17	AUX_ADC	I	ADC on TPS65950
18	PWR_CNTRL	I	Control pin for on/off button to the TPS65950
19	GND	PWR	
20	GND	PWR	

Figure 63 shows the location of P17.

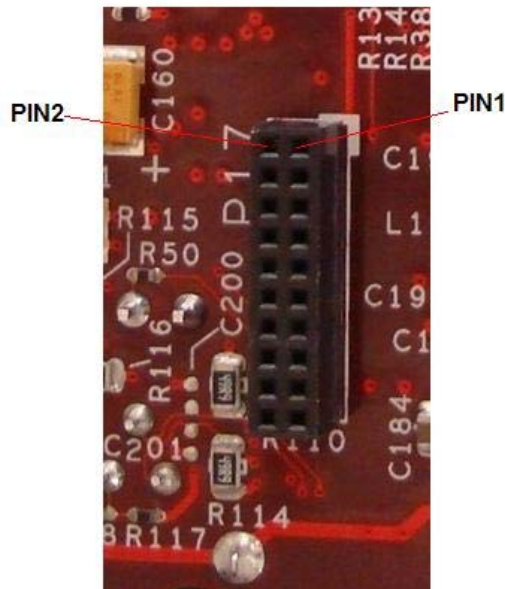


Figure 63. Auxiliary Access Connector

9.5.5 LCD and Expansion Measurements

Figure 64 provides some of the dimensions that can assist in the location of the LCD headers. It is strongly recommended that the CAD data be used in order to determine their location exact. Table 38 provides the values for each lettered dimension.

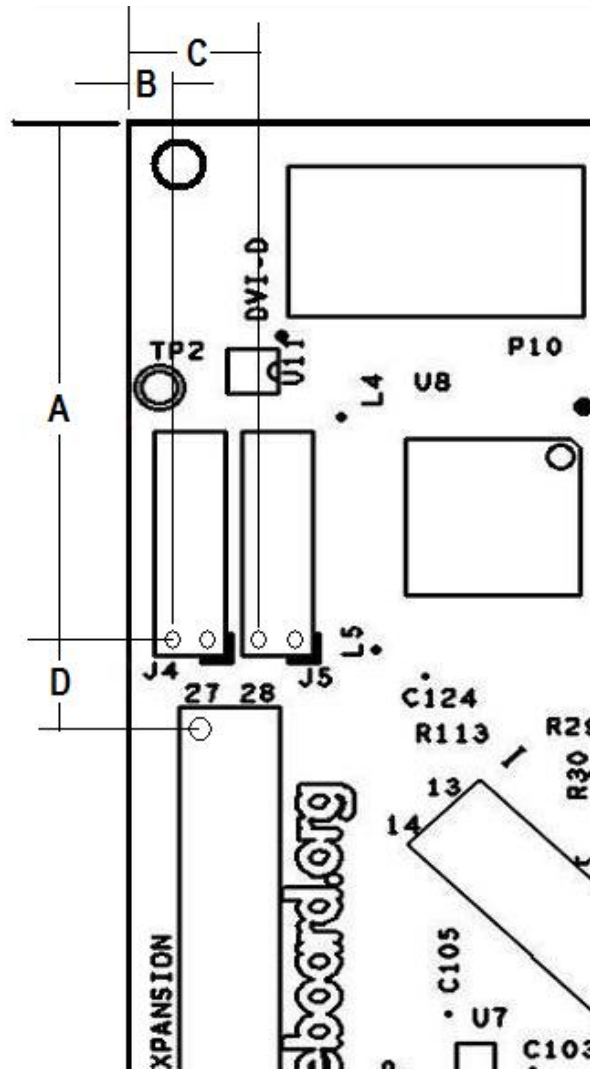


Figure 64. Top Mount LCD Adapter

Table 38. Connector Dimensions

Dimension	Inches	Millimeters
A	1.085	27.56
B	0.118	2.99
C	0.296	7.52
D	0.190	4.83

9.5.6 Mounting Scenarios

This section provides a few possible mounting scenarios for the LCD connectors. It should be noted that the voltage level of these signals are 1.8V. It will require that they be buffered in order to drive other voltage levels.

Figure 65 shows the board being mounted under the BeagleBoard.

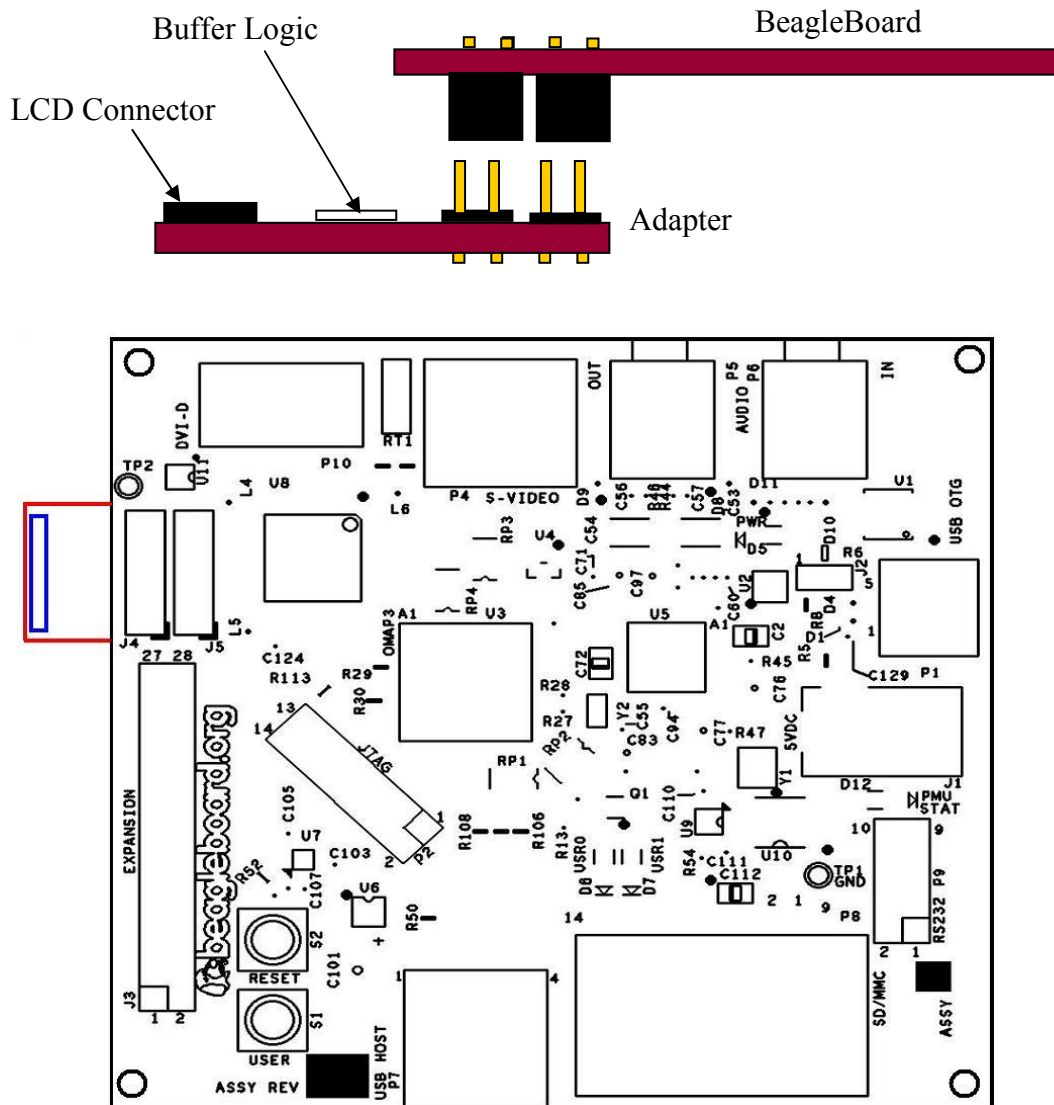


Figure 65. Bottom Mount LCD Adapter

9.6 Audio Connections

Figure 66 is the audio input jack required to connect to the BeagleBoard.

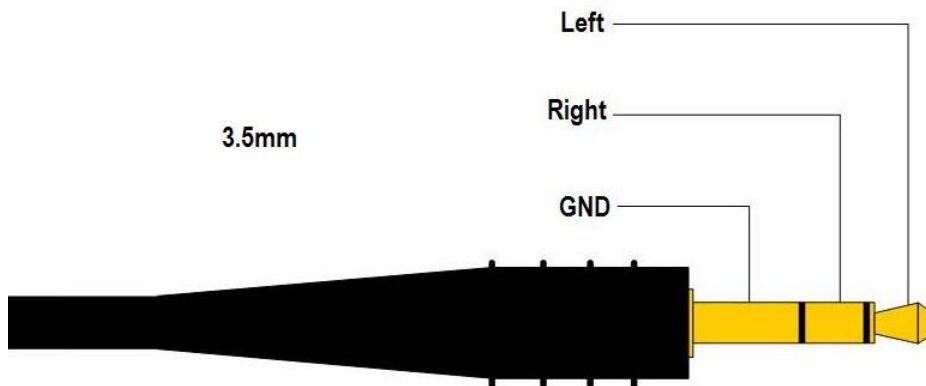


Figure 66. Audio In Plug

Figure 67 is the actual connector used on the BeagleBoard.



Figure 67. Audio In Connector

9.7 Audio Out

Figure 68 is the audio out jack required to connect to the BeagleBoard.

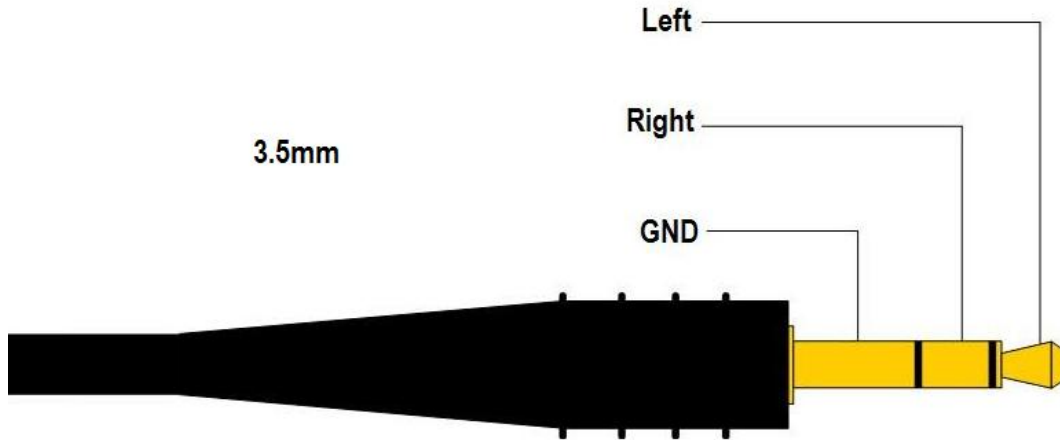


Figure 68. Audio Out Plug

Figure 69 is the actual connector used on the BeagleBoard.



Figure 69. Audio Out Connector

9.8 JTAG

Figure 70 is the JTAG connector pin out showing the pin numbering.

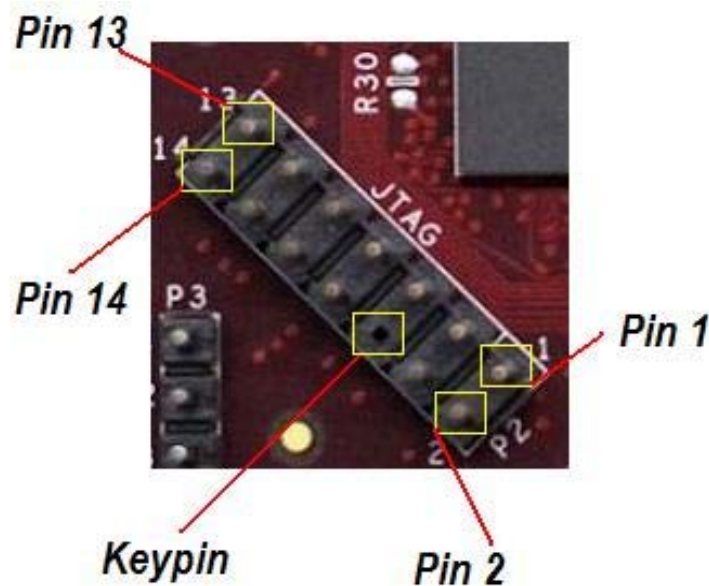


Figure 70. JTAG Connector Pinout

Table 39 gives a definition of each of the signals on the JTAG header.

Table 39. JTAG Signals

Pin	Signal	Description	I/O
1	JTAG TMS	Test mode select	I/O
3	JTAG TDI	Test data input	I
7	JTAG TDO	Test Data Output	O
9	JTAG RTCK	ARM Clock Emulation	O
11	JTAG TCK	Test Clock	I
2	JTAG nTRST	Test reset	I
13	JTAG EMU0	Test emulation 0	I/O
14	JTAG EMU1	Test emulation 1	I/O
5	VIO	Voltage pin	PWR
4,8,10,12,14	GND	Ground	PWR

All of the signals are 1.8V only. The JTAG emulator must support 1.8V signals for use on the BeagleBoard.

If a 20 pin connector is provided on the JTAG emulator, then a 20 pin to 14 pin adapter must be used. You may also use emulators that are either equipped with a 14 pin connector or are universal in nature.

Figure 71 shows an example of a 14 pin to 20 pin adapter.

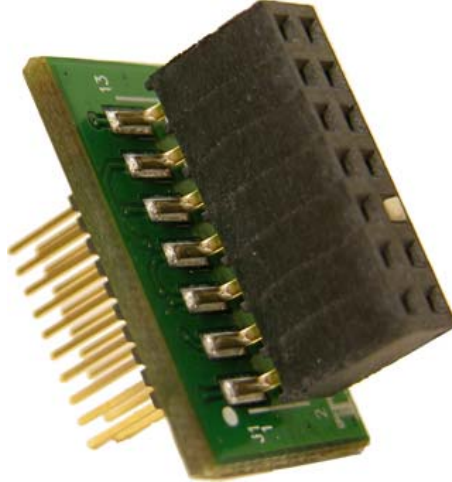


Figure 71. JTAG 14 to 20 Pin Adapter

Figure 72 shows how the JTAG cable is to be routed when connected to the BeagleBoard.

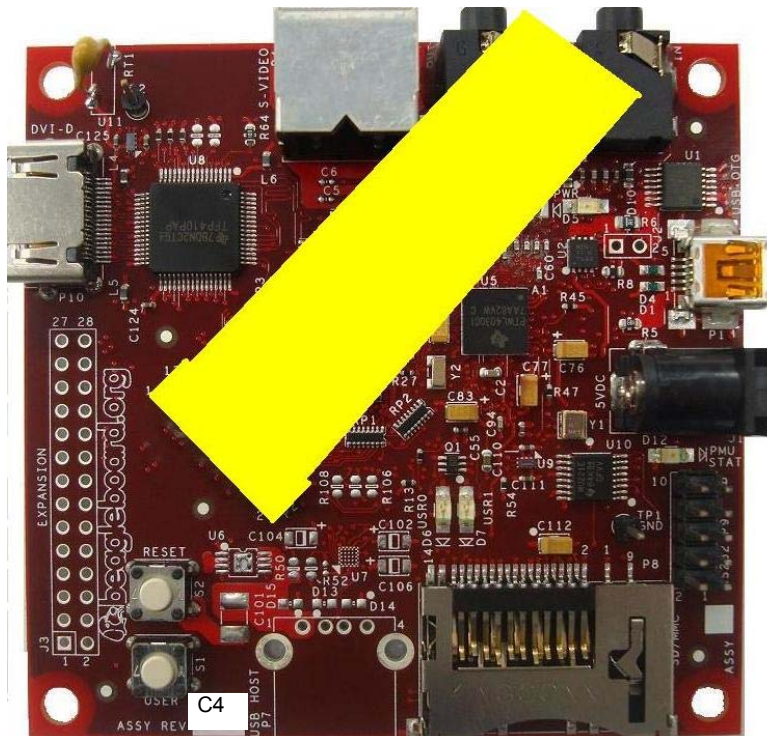


Figure 72. JTAG Connector Pinout

9.9 Battery Installation

9.9.1 Battery

The board was designed to use the MS412FE-FL26E battery from Seiko Instruments. This is a Lithium Rechargeable Battery with a 1mAH capacity. **Figure 73** is a picture of the battery. It is also possible that the user may choose to install a higher capacity Lithium battery.



Figure 73. Optional Battery

9.9.2 Battery Installation

THE FOLLOWING INSTRUCTIONS ASSUME THE USER HAS PREVIOUS EXPERIENCE WITH BATTERIES. BATTERY INSTALLATION IS THE SOLE RESPONSIBILITY OF THE USER. INSTALLATION OF THE BATTERY BY THE USER IS AT THEIR OWN RISK. FAILURE TO FOLLOW THE INSTRUCTIONS CAN RESULT IN DAMAGE TO THE BOARD. THIS DAMAGE IS NOT COVERED UNDER THE WARRANTY.

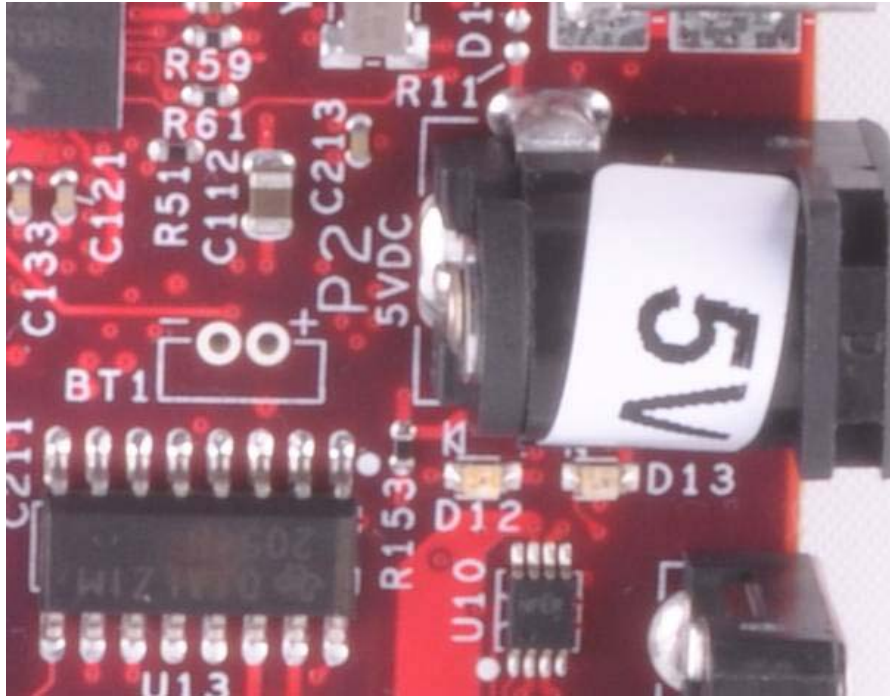


Figure 74. Optional Battery Location

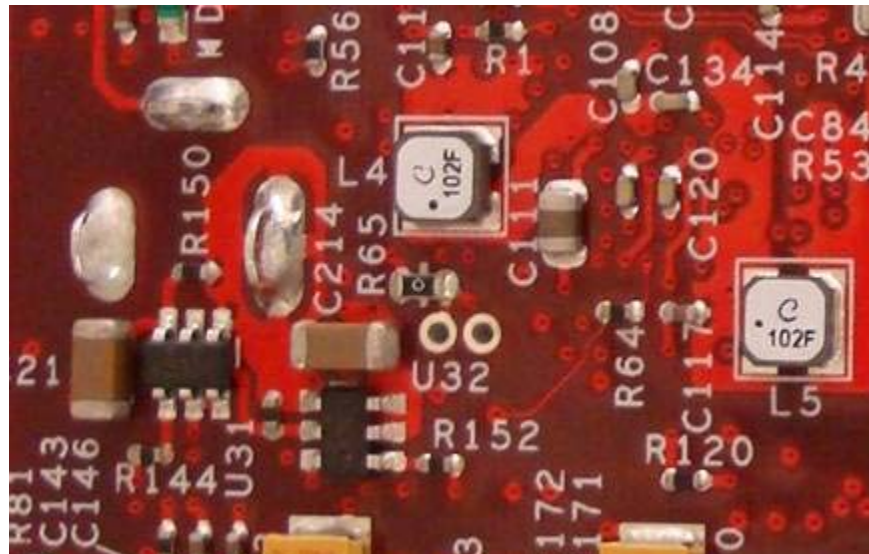


Figure 75. Resistor R65

Following are the steps required to install the battery.

- 1) Remove all cables from the board.
- 2) Remove R65 from the board as shown on **Figure 73**.
- 3) Using Figure 66, locate the positive (+) lead of the battery.
- 4) Insert the (+) lead into the hole that is marked (+) on **Figure 74**.

10.0 BeagleBoard Accessories

Throughout this manual various items are mentioned as not being provided with the standard BeagleBoard package or as options to extend the features of the BeagleBoard. The concept behind BeagleBoard is that different features and functions can be added to BeagleBoard by bringing your own peripherals. This has several key advantages:

- User can choose which peripherals to add.
- User can choose the brand of peripherals based on driver availability and ability to acquire the particular peripheral
- User can add these peripherals at a lower cost than if they were integrated into the BeagleBoard.

This section covers these accessories and add-ons and provides information on where they may be obtained. Obviously things can change very quickly as it relates to devices that may be available. Please check BeagleBoard.org for an up to date listing of these peripherals.

Inclusion of any products in this section does not guarantee that they will operate with all SW releases. It is up to the user to find the appropriate drivers for each of these products. Information provided here is intended to expose the capabilities of what can be done with the BeagleBoard and how it can be expanded.

Inclusion of any product in this section is not an endorsement of the product by Beagleboard.org, but is provided as a convenience only to the users of the BeagleBoard-xM board.

All pricing information provided is subject to change and in most cases is likely to be lower depending on the products purchased and from where they are purchased.

Covered in this section are the following accessories:

- DC Power Supplies
- Serial Ribbon cable
- USB Hubs
- USB Thumb Drives
- DVI-D Cables
- DVI-D Monitors
- SD/MMC Cards
- USB to Ethernet

- USB to WiFi
- USB Bluetooth
- Expansion Cards

NO CABLES OR POWER SUPPLIES ARE PROVIDED WITH THE BEAGLEBOARD.

10.1 DC Power Supply

Tabletop or wall plug supplies can be used to power BeagleBoard. **Table 40** provides the specifications for the BeagleBoard DC supply. Supplies that provide additional current than what is specified can be used if additional current is needed for add on accessories. The amount specified is equal to that supplied by a USB port.

Table 40. DC Power Supply Specifications

Specification	Requirement	Unit
Voltage	5.0	V
Current	1.5 (minimum)	A
Connector	2.1mm x 5.5mm Center hot	

It is recommended that a supply higher than 1.5A be used if higher current peripherals are expected to be used or if expansion boards are added. The onboard USB hub and Ethernet do consume additional power and if you plan to load the USB Host ports, more power will be required..

Table 41 lists some power supplies that will work with the BeagleBoard.

Table 41. DC Power Supplies

Part #	Manufacturer	Supplier	Price
EPS050100-P6P	CUI	Digi-Key	\$7
DPS050200UPS-P5P-SZ	CUI	Digi-Key	\$16

Figure 76 is a picture of the type of power supply that will be used on the BeagleBoard.



Figure 76. DC Power Supply

10.2 DVI Cables

In order to connect the DVI-D interface to a LCD monitor, a HDMI to DVI-D cable is required. **Figure 77** is a picture of a HDMI to DVI-D cable.



Figure 77. HDMI to DVI-D Cable

10.3 DVI-D Monitors

There are many monitors that can be used with the BeagleBoard. With the integrated EDID feature, timing data is collected from the monitor to enable the SW to adjust its timings. **Table 42** shows a short list of the monitors that have been tested to date on the BeagleBoard at the 1024x768 resolution. Please check on BeagleBoard.org for an up to date listing of the DVI-D monitors as well as information on the availability of drivers.

Table 42. DVI-D Monitors Tested

Manufacturer	Part Number	Status
Dell	2407WFPb	Tested
Insignia	NS-LCD15	Tested
Dell	1708FP	Tested
LG	FLATRON W2243T	Tested

DO NOT PLUG IN THE DVI-D CONNECTOR TO A DISPLAY WITH THE BEAGLEBOARD POWERED ON. PLUG IN THE CABLE TO THE DISPLAY AND THEN POWER ON THE BEAGLEBOARD.

The digital portion of the DVI-D interface is compatible with HDMI and is electrically the same. A standard HDMI cable may be used to connect to the HDMI input of monitors. Whether or not the Beagle will support those monitors is dependent on the timings that are used on the Beagle and those that are accepted by the monitor. This may require a change in the software running on the Beagle. The audio and encryption features of HDMI are not supported by the Beagle.

The analog portion of DVI which provides RGB analog type signals is not supported by the Beagle. Buying a DVI to VGA adapter connector will not work on a VGA display. You will need an active DVI-D to VGA adapter.

10.4 microSD Cards

Table 43 is a list of SD/MMC cards that have been tested on BeagleBoard. Please check BeagleBoard.org for an up to date listing of the SD/MMC cards that have been tested as well as information on the availability of drivers if required.

Table 43. SD/MMC Cards Tested

Manufacturer	Type	Part Number	Status
Patriot	4GB		Tested

10.5 USB to WiFi

There are several USB to WiFi adapters on the market and **Figure 78** shows a few of these devices. These devices can easily add WiFi connectivity to BeagleBoard by using the USB OTG port in the host mode. This will require a special cable to convert the miniAB connector to a Type A or a hub can also be used. These are provided as examples only. Check BeagleBoard.org for information on devices that have drivers available for them.



Figure 78. USB to WiFi

Table 44 provides a list of USB to WiFi adapters that could be used with the BeagleBoard. Inclusion of these items in the table does not guarantee that they will work, but is provided as examples only. Please check BeagleBoard.org for an up to date listing of the USB to WiFi devices as well as information on the availability of drivers.

Table 44. USB to WiFi Adapters

Product	Manufacturer	Status
4410-00-00AF	Zoom	Not Tested
HWUG1	Hawkins	Not Tested
TEW-429Uf	Trendnet	Not Tested

It should be noted that the availability of Linux drivers for various WiFi devices is limited. Before purchasing a particular device, please verify the availability of drivers for that device.

10.6 USB to Bluetooth

There are several USB to Bluetooth adapters on the market and **Figure 79** shows a few of these devices. These devices can easily add Bluetooth connectivity to BeagleBoard by using the USB OTG port in the host mode. This will require a special cable to convert the miniAB connector to a Type A or a hub can also be used. These are provided as examples only. Check BeagleBoard.org for information on devices that have drivers available for them and their test status.

**Figure 79. USB to Bluetooth**

Table 45 provides a list of USB to Bluetooth adapters that could be used with the BeagleBoard. Inclusion of these items in the table does not guarantee that they will work, but is provided as examples only. Please check BeagleBoard.org for an up to date listing of the USB to Bluetooth devices as well as information on the availability of drivers.

Table 45. USB to Bluetooth Adapters

Product	Manufacturer	Status
TBW-105UB	Trendnet	Not Tested
ABT-200	Airlink	Not Tested
F8T012-1	Belkin	Not Tested

11.0 Mechanical Information

11.1 BeagleBoard Dimensions

This section provides information on the mechanical aspect of the BeagleBoard. **Figure 80** is the dimensions of the BeagleBoard. Despite the change in the overall dimensions of the board, the mounting holes and the replacement of the main expansion and LCD headers are the same as is found on the rev C4 board.

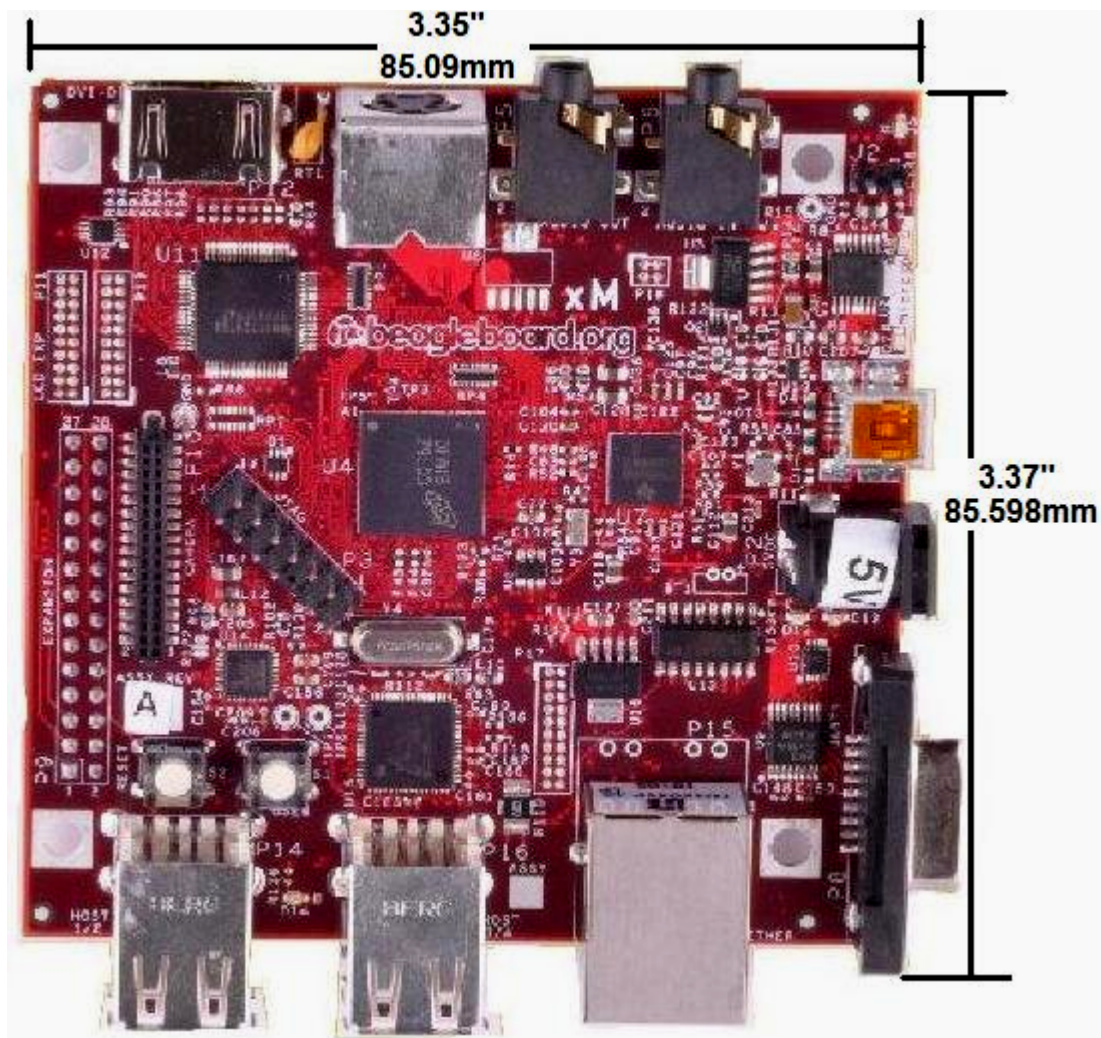


Figure 80. BeagleBoard Dimension Drawing

11.2 BeagleBoard Expansion Card Design Information

This section provides information on what is required from a mechanical and electrical aspect to create expansion cards for the BeagleBoard that are designed to connect to the Expansion header on the BeagleBoard. Users are free to create their own cards for private or commercial use, but in order to be supported by the Software they must conform to these standards if such support is desired.

11.2.1 Mounting Method

The standard method to provide a daughtercard for the BeagleBoard is for it to be mounted UNDER the Beagle Board as described in **Figure 81**.

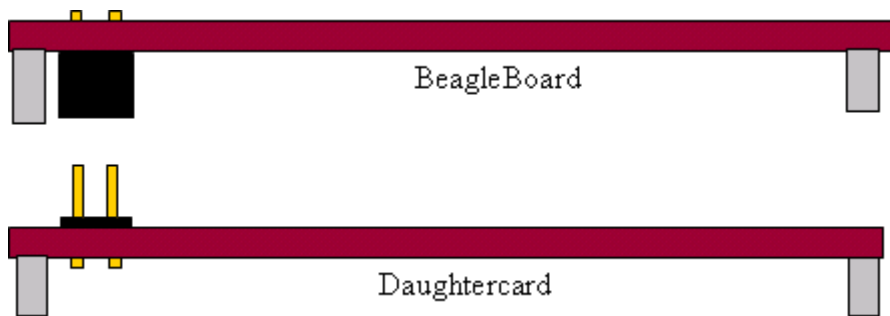


Figure 81. BeagleBoard Bottom Stacked Daughter Card

All BeagleBoard-xM produced will have the connectors pre mounted onto the bottom of the BeagleBoard as described above. The -xM has additional connectors on the back of the board. **Figure 82** shows their location.

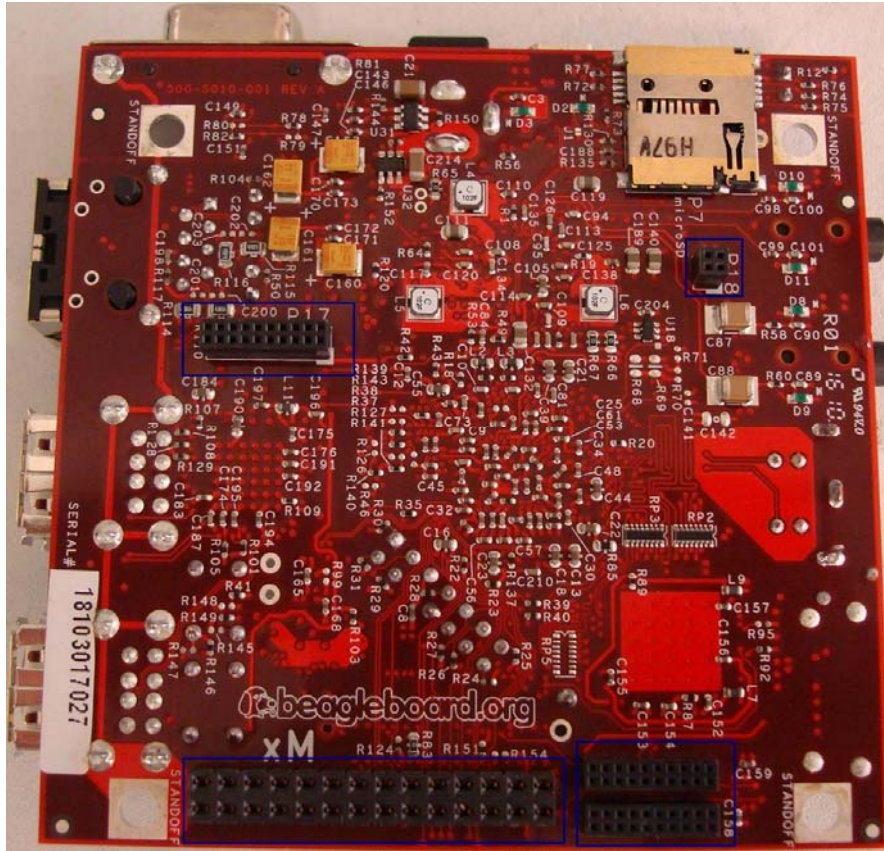


Figure 82. BeagleBoard-xM Expansion Headers

11.2.2 Expansion EEPROM

All expansion cards designed for use with the BeagleBoard are required to have a EEPROM located on the board. This is to allow for the identification of the card by the Software in order to set the pin muxing on the expansion connector to be compatible with the expansion card.

The schematic for the EEPROM is in **Figure 83** below.

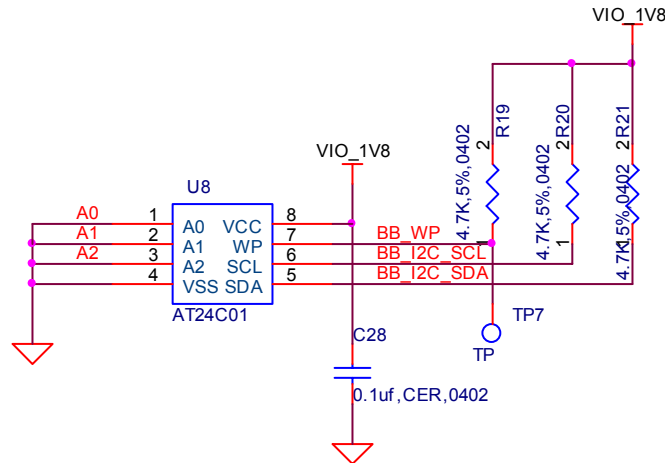


Figure 83. BeagleBoard Expansion Board EEPROM Schematic

The EEPROM must be write protected. It is suggested that a testpoint be used to allow for the WP to be disabled during test to allow the required data to be written to the EEPROM. The EEPROM is to be connected to I2C2 as found on the main expansion connector.

The EEPROM that is designated is the AT24C01 or ATC24C01B. The AT24C01 is designated as “Not Recommended for New Design” but can still be used. The AT24C01B is the replacement part and is available in several different packages, all of which can be used.

- TSSOP 8
- PDIP 8
- UDFN 8
- SOIC 8
- SOT23 5
- dBGA2 8

The contents of the EEPROM are not specified in this document.

12.0 Board Verification Test Points

There are several test points that may be useful if it becomes necessary to troubleshoot the BeagleBoard-xM board. **Figure 84** shows the top side test points.

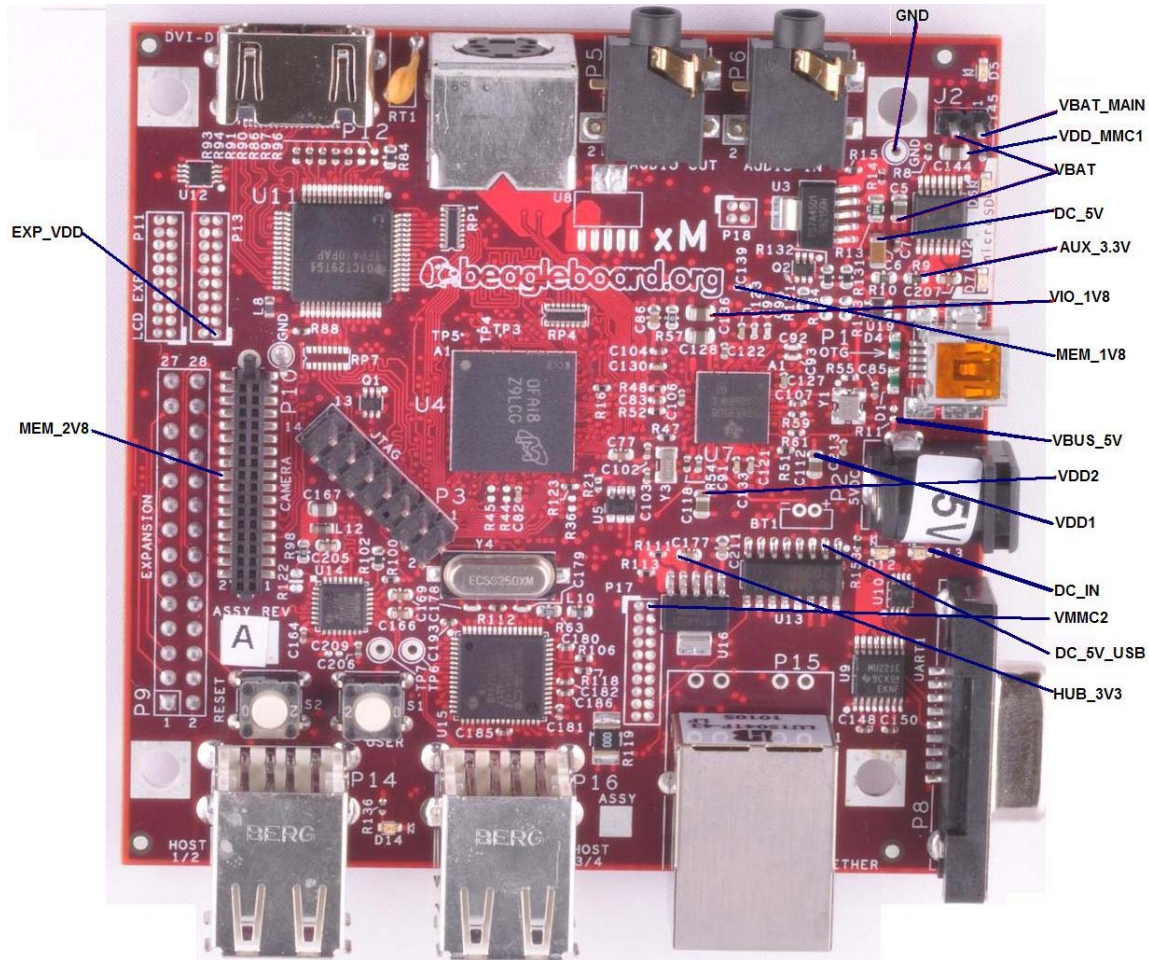


Figure 84. BeagleBoard Voltage Access Points

Some of these voltages may not be present depending on the state of the TWL4030 as set by the processor. Others may be at different voltage levels depending on the same factor.

Table 46 provides the ranges of the voltages and the definition of the conditions as applicable.

Table 46. Voltages

Voltage	Min	Nom	Max	Conditions
VIO_1V8	1.78	1.8	1.81	
VDD_SIM	1.78	1.8	1.81	
VBUS_5V0	4.9	5.0	5.2	From the host PC. May be lower or higher.
VOCORE_1V3	1.15	1.2	1.4	Can be set via SW. Voltage levels may vary.
VBAT	4.1	4.2	4.3	
VDAC_1V8	1.78	1.8	1.81	
VDD_PLL1	1.78	1.8	1.81	
VDD_PLL2	1.78	1.8	1.81	
VDD2	1.15	1.2	1.25	
3.3V	3.28	3.3	3.32	
VMMC1 (3V)	2.9	3.0	3.1	3.0V at power up. Can be set to via SW.
VMMC1(1.8V)	1.78	1.8	1.81	

12.1.1 Signal Access Points

Figure 85 shows the access points for various signals on BeagleBoard.

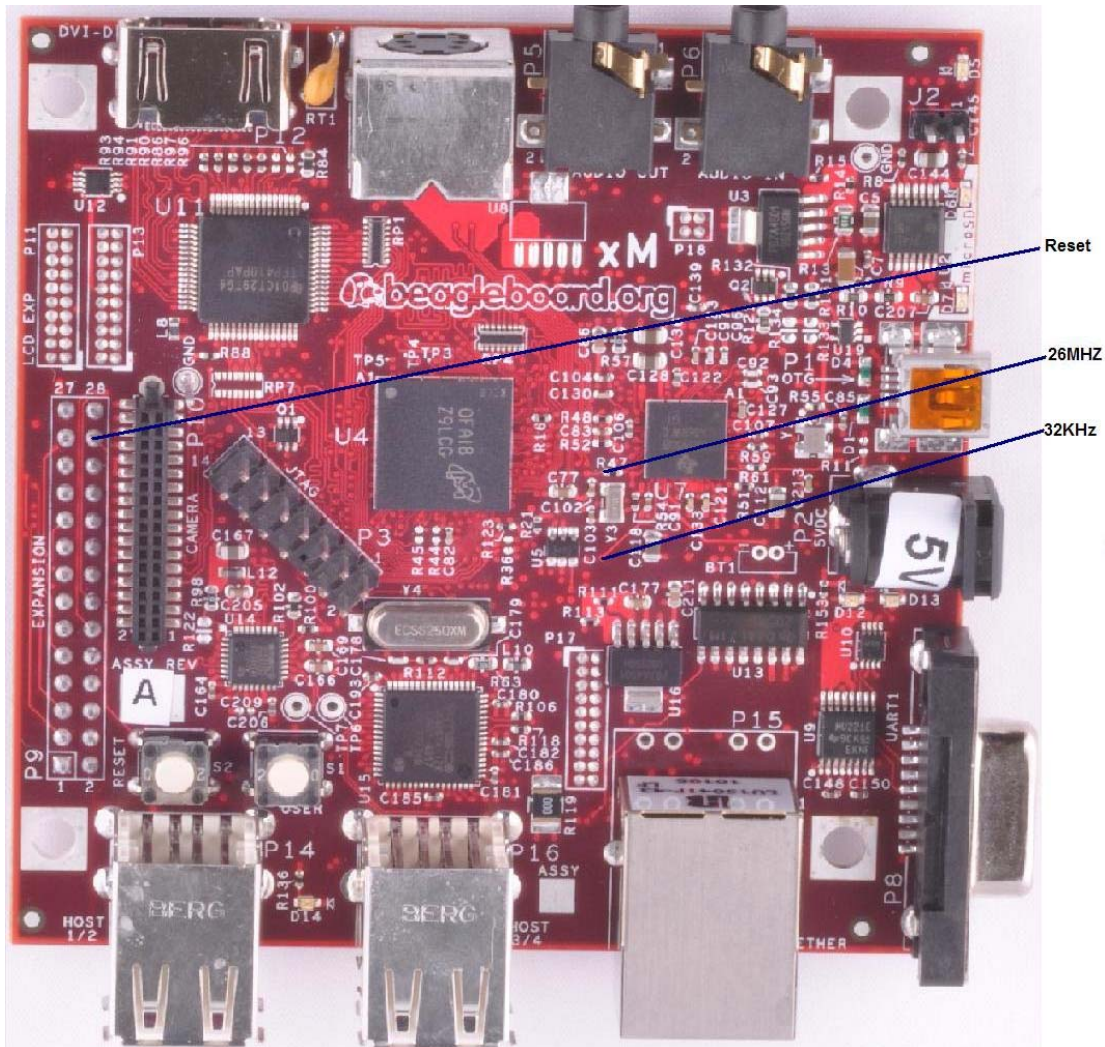


Figure 85. BeagleBoard Signal Access Points

12.2 Troubleshooting Guide

Table 47 provides a list of possible failure modes and conditions and suggestions on how to diagnose them and ultimately determine whether the HW is operational or not.

Table 47. Troubleshooting

Symptoms	Possible Problem	Action
JTAG does not connect.	Verify that the Power LED is on.	If off and running over USB, the PC may have shut down the voltage due to excessive current as related to what it is capable of providing. Remove the USB cable and re insert. If running on a DC supply make sure that voltage is being supplied.
	JTAG interface needs to be reset	Reset the BeagleBoard.
UBoot does not start, and no activity on the RS232 monitor.	Incorrect serial cable configuration.	Verify straight thru cable configuration
	If a 60 is displayed over the serial cable, processor is booting. Issue could be the SD/MMC card.	Make sure the SD/MMC card is installed all the way into the connector. Make sure the card is formatted correctly and that the MLO file is the first file written to the SD card.
USB Host Connection Issues via OTG.	Cheap USB Cable. OTG cables are typically not designed for higher current. The expect 100mA max.	Measure the voltage at the card to determine the voltage drop across the cable. If it the level is below 4.35V, the USB power is not guaranteed to work,

13.0 Known Issues

This section provides information on any known issues with the BeagleBoard HW and the overall status. **Table 48** provides a list of the know issues on the BeagleBoard.

Table 48. Known Issues

Affected Revision	Issue	Description	Workaround	Final Fix
A	DVI Powerdown	DVI power down signal is not operational	None	B
A	USB Hub reset	Reset signal to hub is not operational	Hub can be powered off and on to create a reset scenario	No Plan

14.0 PCB Component Locations

Figures 86 and Figure 87 contain the bottom and top side component locations of the BeagleBoard.

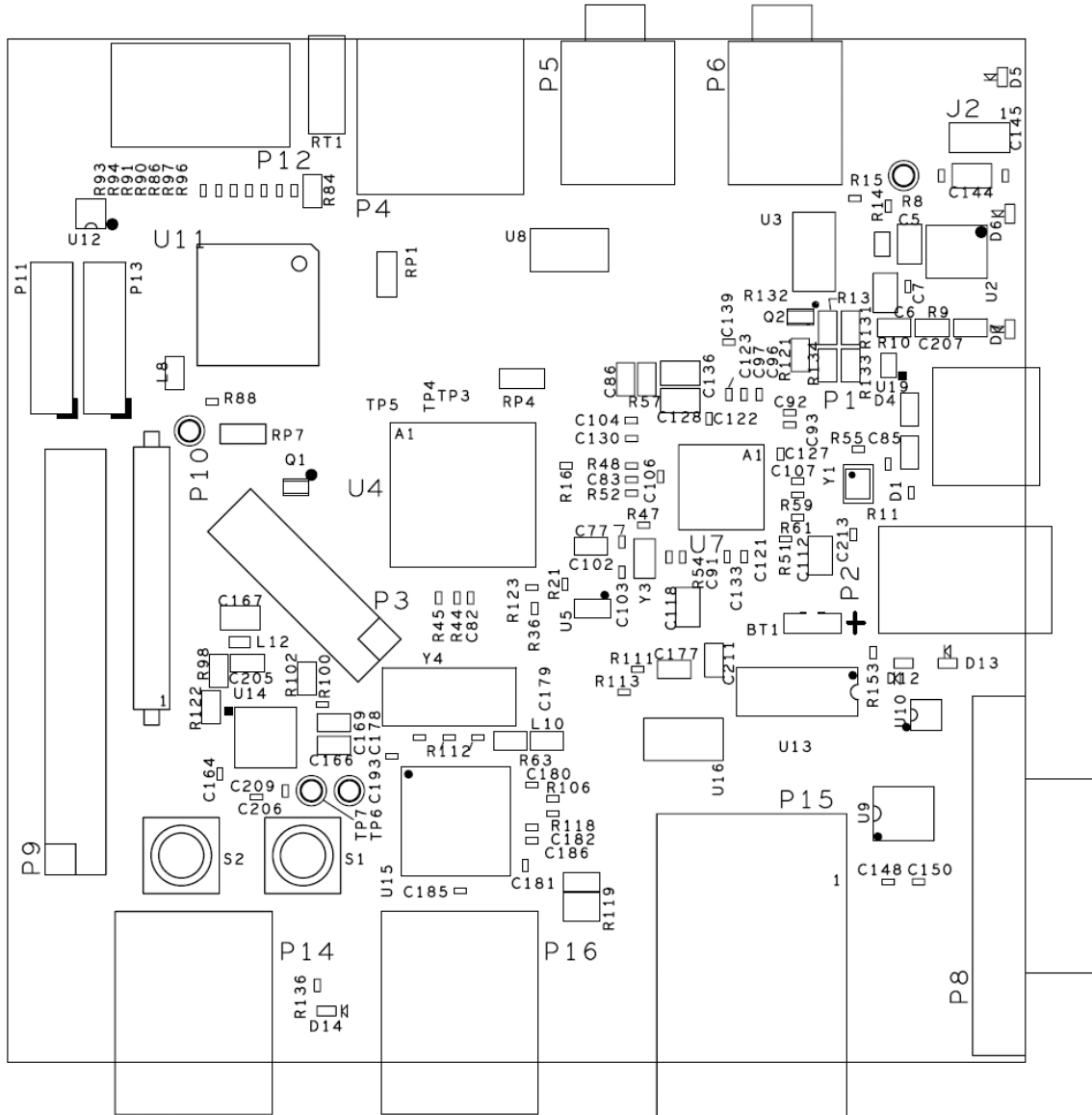


Figure 86. BeagleBoard Top Side Components

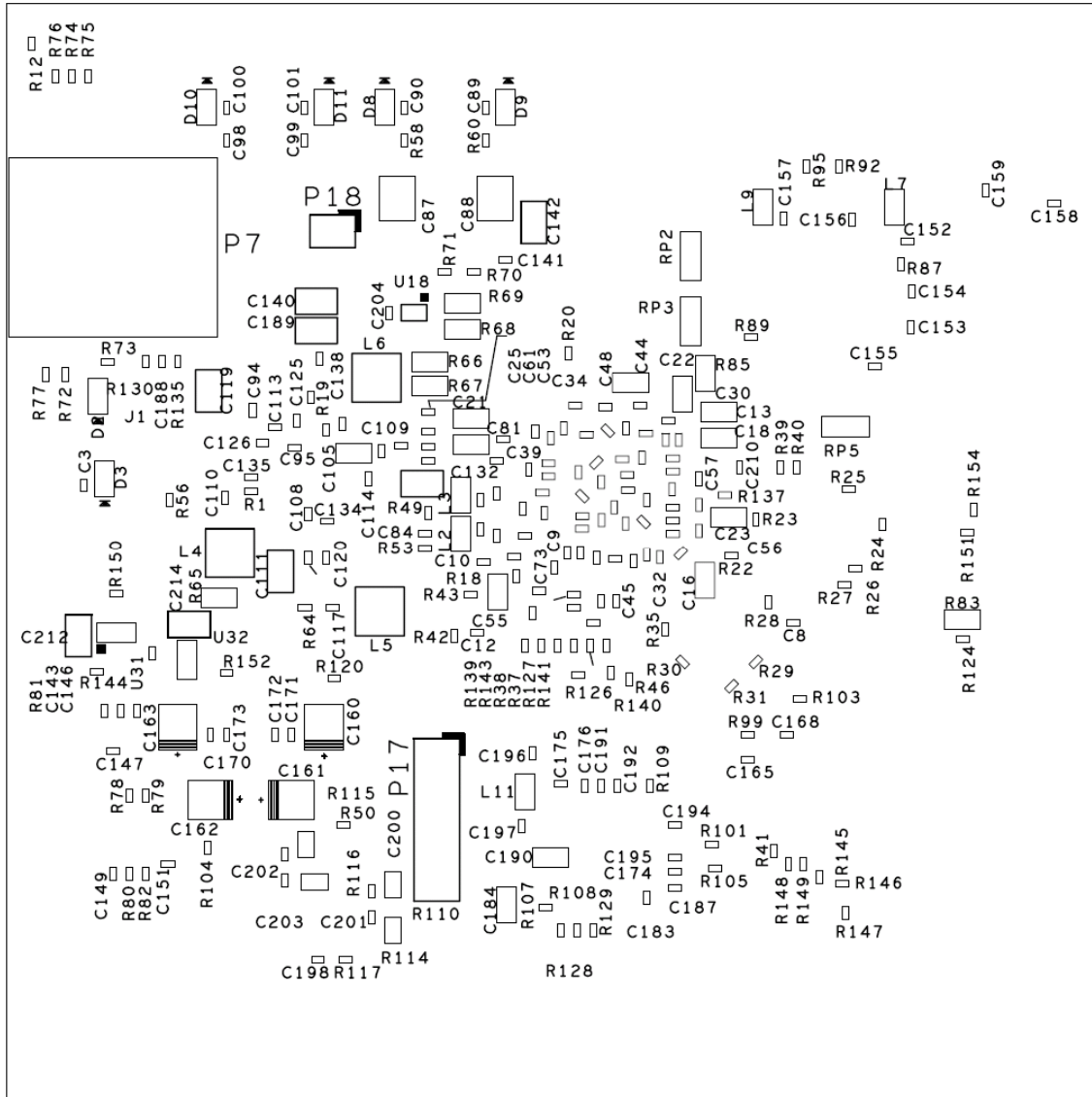


Figure 87. BeagleBoard Bottom Side Components

15.0 Schematics

The following pages contain the PDF schematics for the BeagleBoard. This manual will be periodically updated, but for the latest documentation be sure and check BeagleBoard.org for the latest schematics.

OrCAD source files are provided for BeagleBoard on BeagleBoard.org at the following link.

<http://beagleboard.org/hardware/design>

*These design materials are ***NOT SUPPORTED*** and **DO NOT** constitute a reference design. Only “community” support is allowed via resources at BeagleBoard.org/discuss. THERE IS NO WARRANTY FOR THE DESIGN MATERIALS, TO THE EXTENT PERMITTED BY APPLICABLE LAW. EXCEPT WHEN OTHERWISE STATED IN WRITING THE COPYRIGHT HOLDERS AND/OR OTHER PARTIES PROVIDE THE DESIGN MATERIALS “AS IS” WITHOUT WARRANTY OF ANY KIND, EITHER EXPRESSED OR IMPLIED, INCLUDING, BUT NOT LIMITED TO, THE IMPLIED WARRANTIES OF MERCHANTABILITY AND FITNESS FOR A PARTICULAR PURPOSE. THE ENTIRE RISK AS TO THE QUALITY AND PERFORMANCE OF THE DESIGN MATERIALS IS WITH YOU. SHOULD THE DESIGN MATERIALS PROVE DEFECTIVE, YOU ASSUME THE COST OF ALL NECESSARY SERVICING, REPAIR OR CORRECTION.*


We mean it, these design materials may be totally unsuitable for any purposes.

REV	DESCRIPTION	DATE	BY
5	FEATURE CHANGES 1. Added 4 port L/S/F/S/H/S HUB to provide four USB Host ports. 2. Made connection for the 1.8V rail on the USB PHY to go to VAUX2. 3. Added camera connector that is compatible to the Leopard Imaging Camera modules. 4. Added power rmanagement capabilities to allow shut down of serial port, DVI-D, and power LED. 5. Switched to DMA3730 processor and 512MB memory. 6. Added ability to turn off 26MHz oscillator. 7. Increased overall board size to accommodate the changes. 8. Changed serial connector to a female DB9. 9. Added a 10/100 Ethernet port.	12/15/09	GC
A	1. Second spin of board. Redesign overvoltage protection scheme. 2. Added slow turn on circuit to USB Host power. 3. Changed power scheme for serial port level translator.	3/13/10	GC
A1	1. Disabled the DVI-D powerdown due to use of wrong GPIO pin. Pin is in the MMC group and it cannot be switched to 1.8V without impacting the SD card slot. 2. Disabled HUB reset due to a timing issue with SW. When active the LAN9514 would not work correctly and the Ethernet function is broken. 3. Removed CAP C212 and C214. Turn on was to slow.	5/13/10	GC
A2	1. Deleted C9 and added R34 to enable S-Video.	6/15/10	GC

CONTENTS	
PAGE NO.	SCHEMATIC PAGE
1	COVER PAGE
2	USB OTG CONNECTOR AND MAIN POWER
3	PROCESSOR 1 OF 3
4	PROCESSOR 2 OF 3, JTAG, SWITCHES, LEDS, SVIDEO
5	PROCESSOR 3 OF 3
6	PMIC, AUDIO JACKS, CLOCKS
7	PMIC, POWER RAILS
8	MICROSD, RS232 CAMERA, EXPANSION
9	DVI-D, LCD EXPANSION
10	USB HOST, HUB, ETHERNET

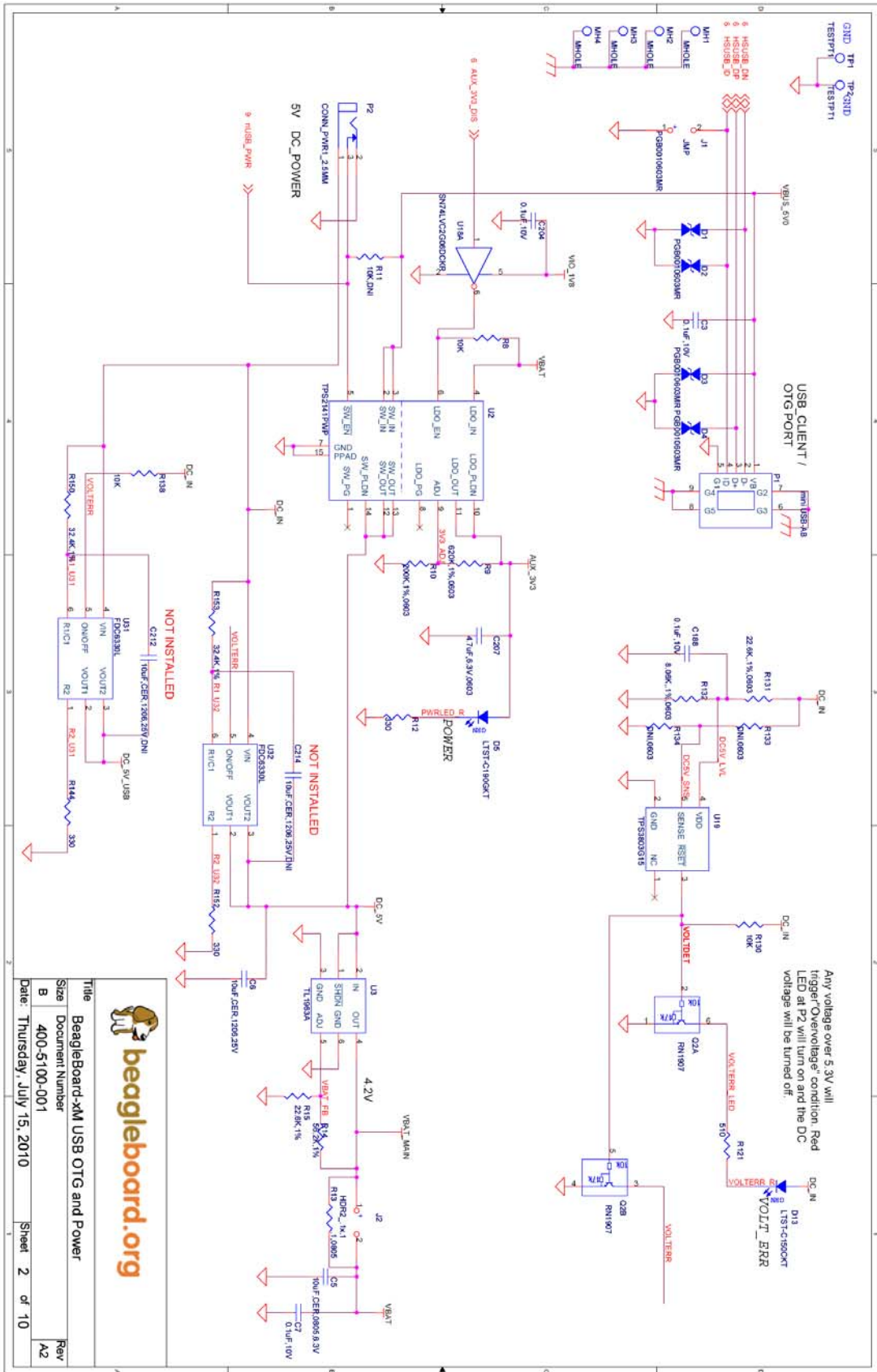
This schematic is ***NOT SUPPORTED*** and **DOES NOT** constitute a reference design. Only "community" support is allowed via resources at BeagleBoard.org/discuss.

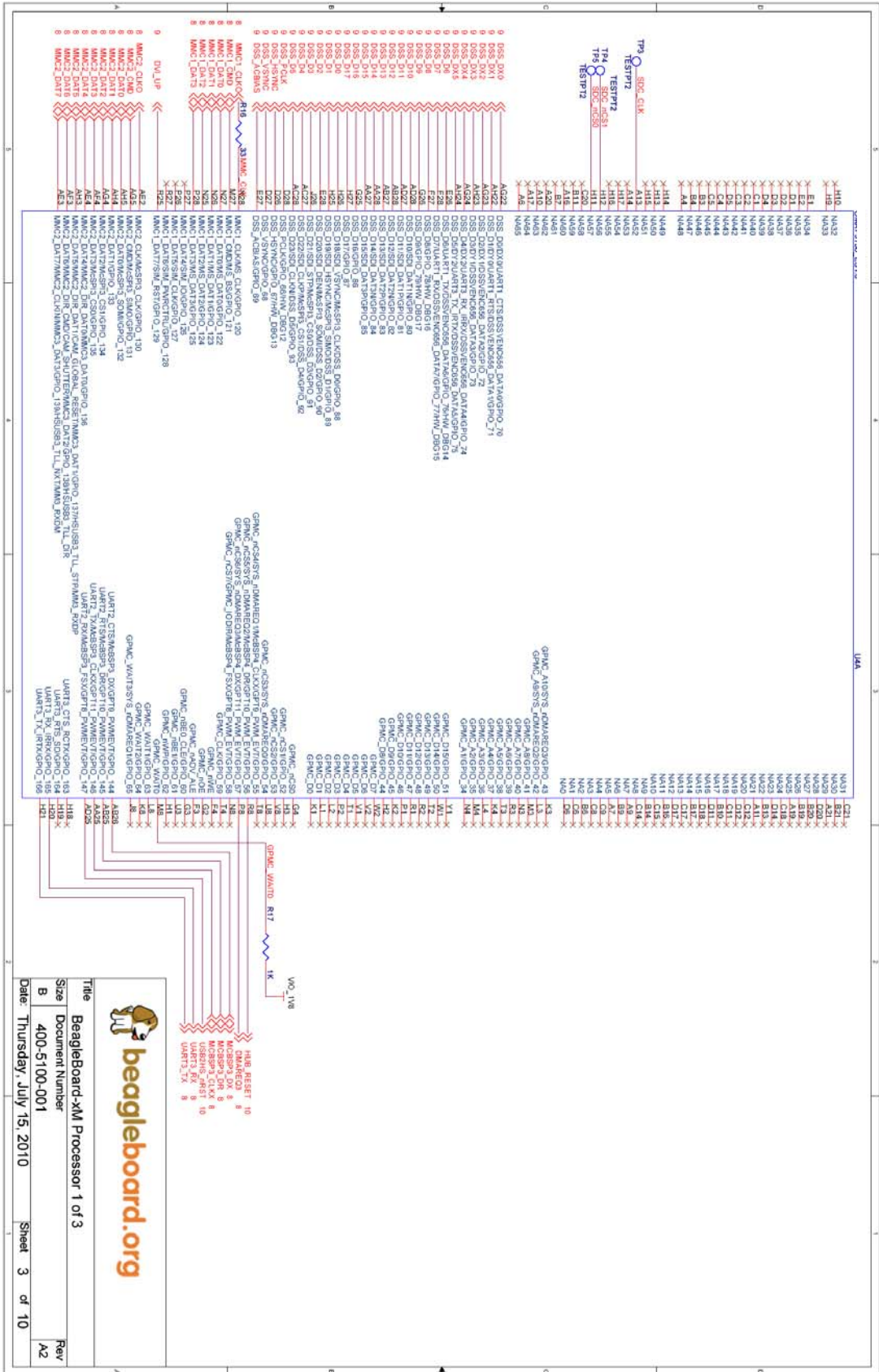
THERE IS NO WARRANTY FOR THIS DESIGN, TO THE EXTENT PERMITTED BY APPLICABLE LAW. EXCEPT WHEN OTHERWISE STATED IN WRITING THE COPYRIGHT HOLDERS AND/OR OTHER PARTIES PROVIDE THE DESIGN "AS IS" WITHOUT WARRANTY OF ANY KIND, EITHER EXPRESSED OR IMPLIED, INCLUDING, BUT NOT LIMITED TO, THE IMPLIED WARRANTIES OF MERCHANTABILITY AND FITNESS FOR A PARTICULAR PURPOSE. THE ENTIRE RISK AS TO THE QUALITY AND PERFORMANCE OF THE DESIGN IS WITH YOU. SHOULD THE DESIGN PROVE DEFECTIVE, YOU ASSUME THE COST OF ALL NECESSARY SERVICING, REPAIR OR CORRECTION.




beagleboard.org

Title		BeagleBoard-xM Cover Page	
Size	Document Number		
B	450-5100-001		
Date	Thursday, July 15, 2010	Sheet	1 of 10
		Rev	A2

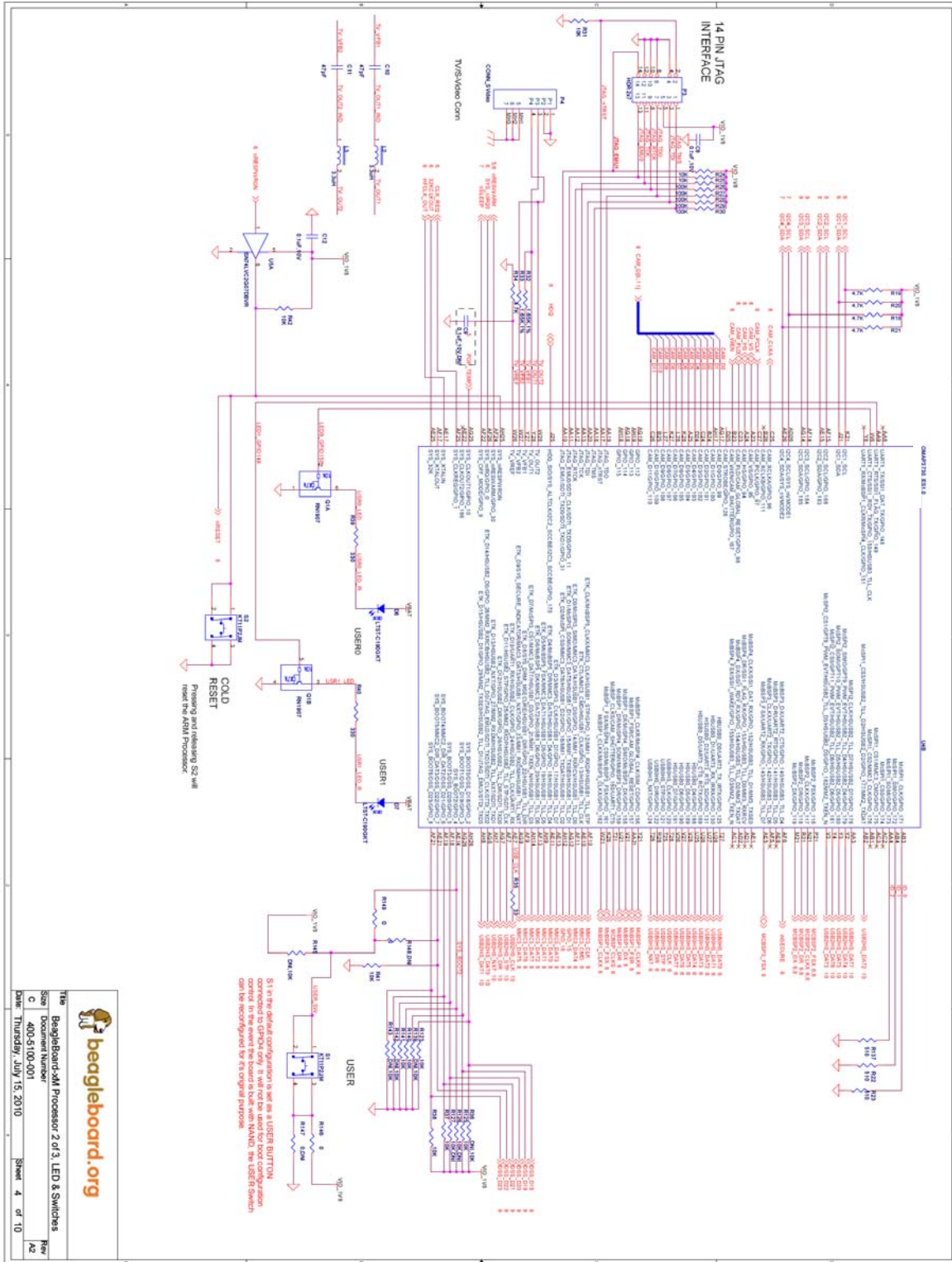


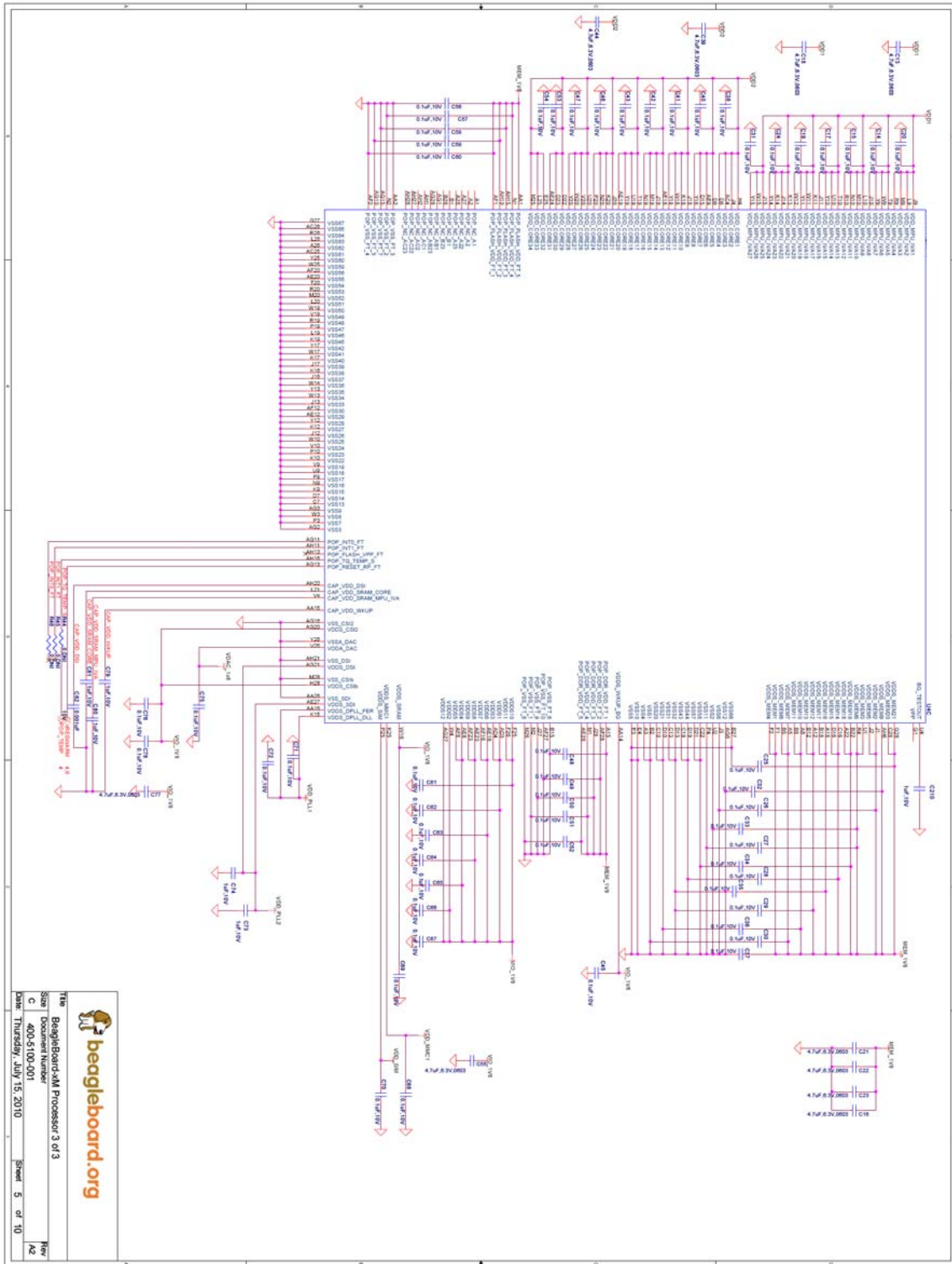




beagleboard.org

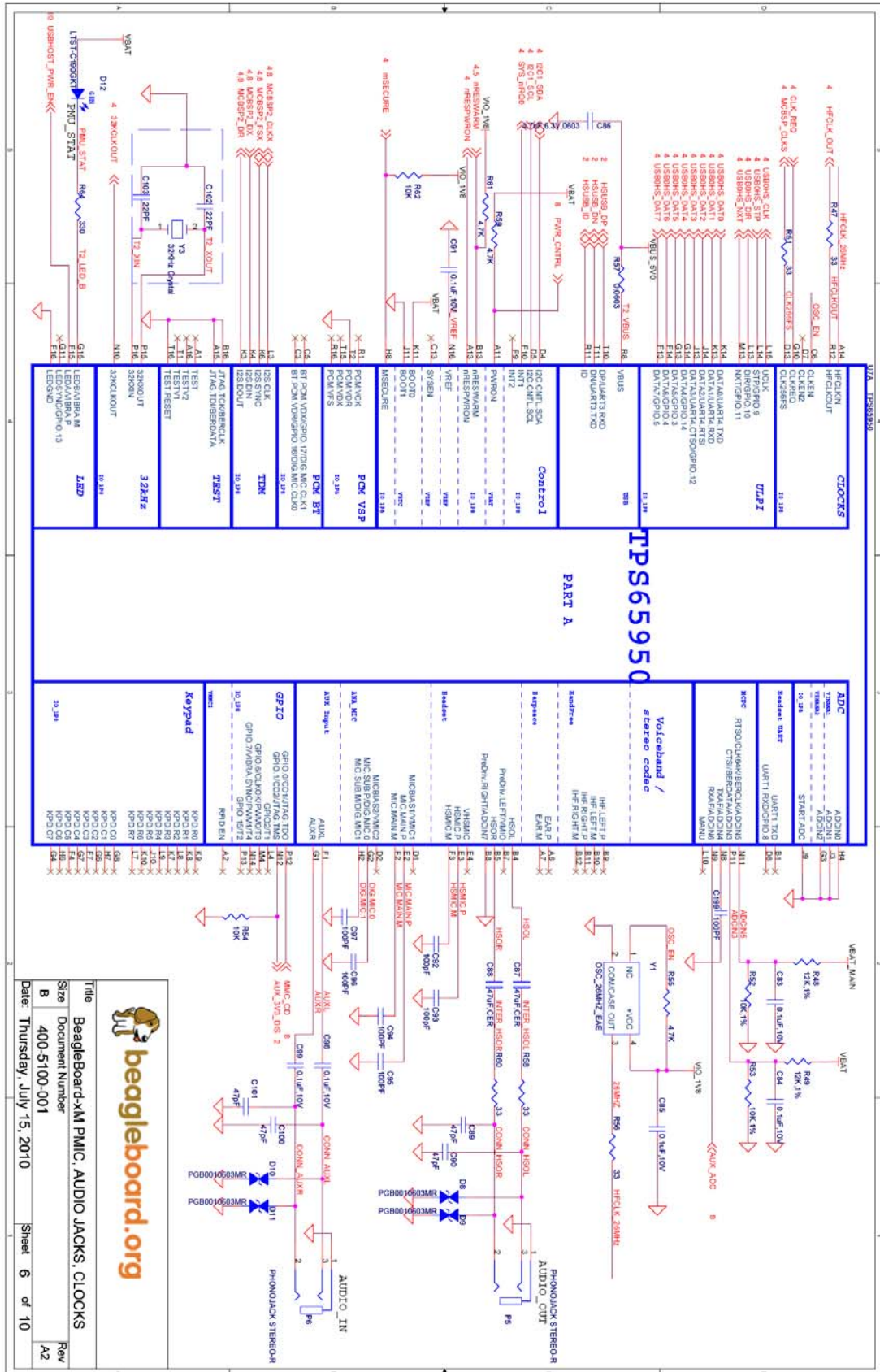
Title: BeagleBoard-xM Processor 1 of 3
 Size: Document Number
 B: 400-5100-001
 Date: Thursday, July 15, 2010
 Sheet: 3 of 10
 Rev: A2

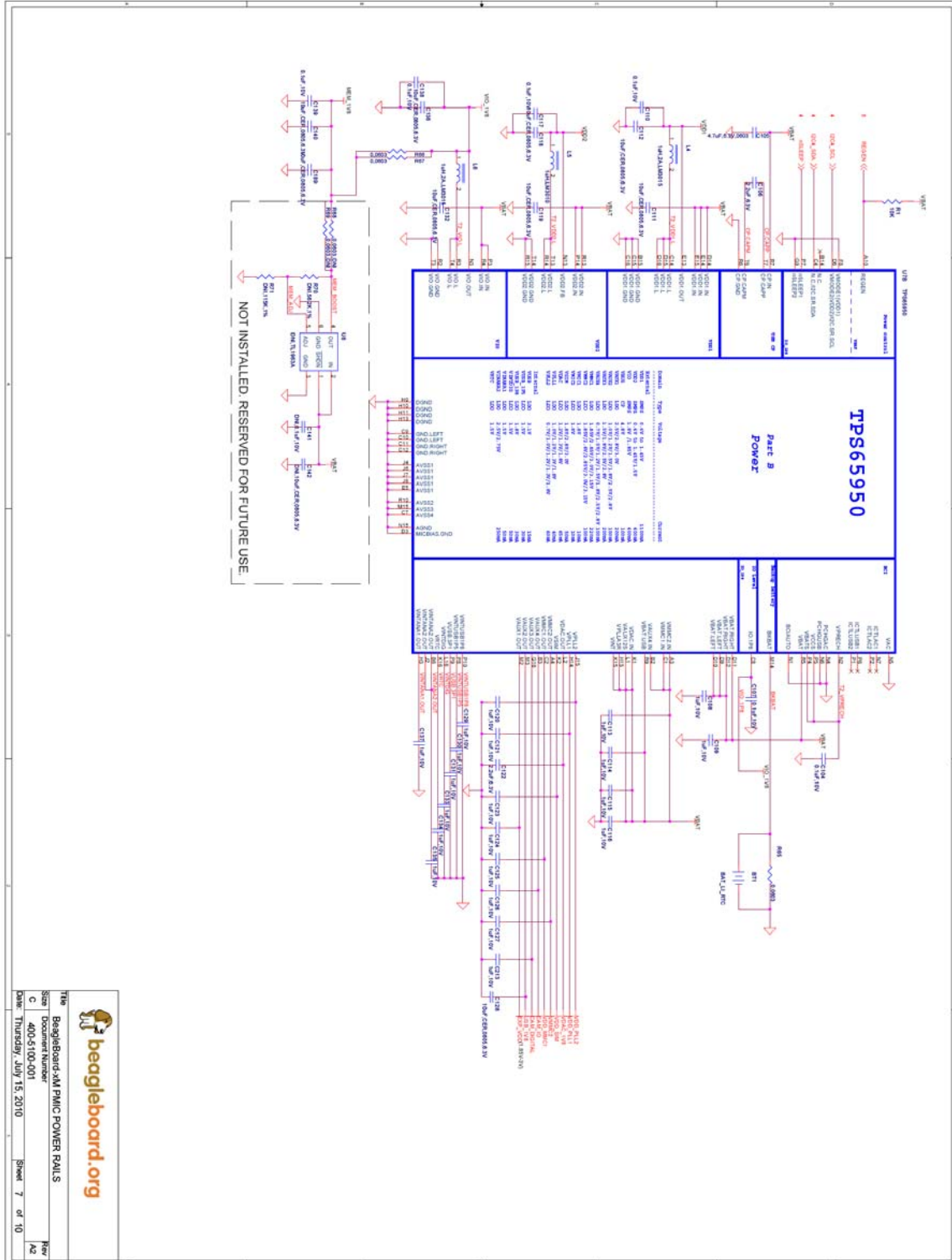





beagleboard.org

BeagleBoard-xM Processor 3 of 3
Document Number
C 400-5100-001
Date: Thursday, July 15, 2010
Sheet 5 of 10
Rev 1.0

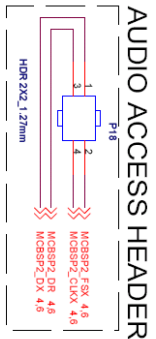
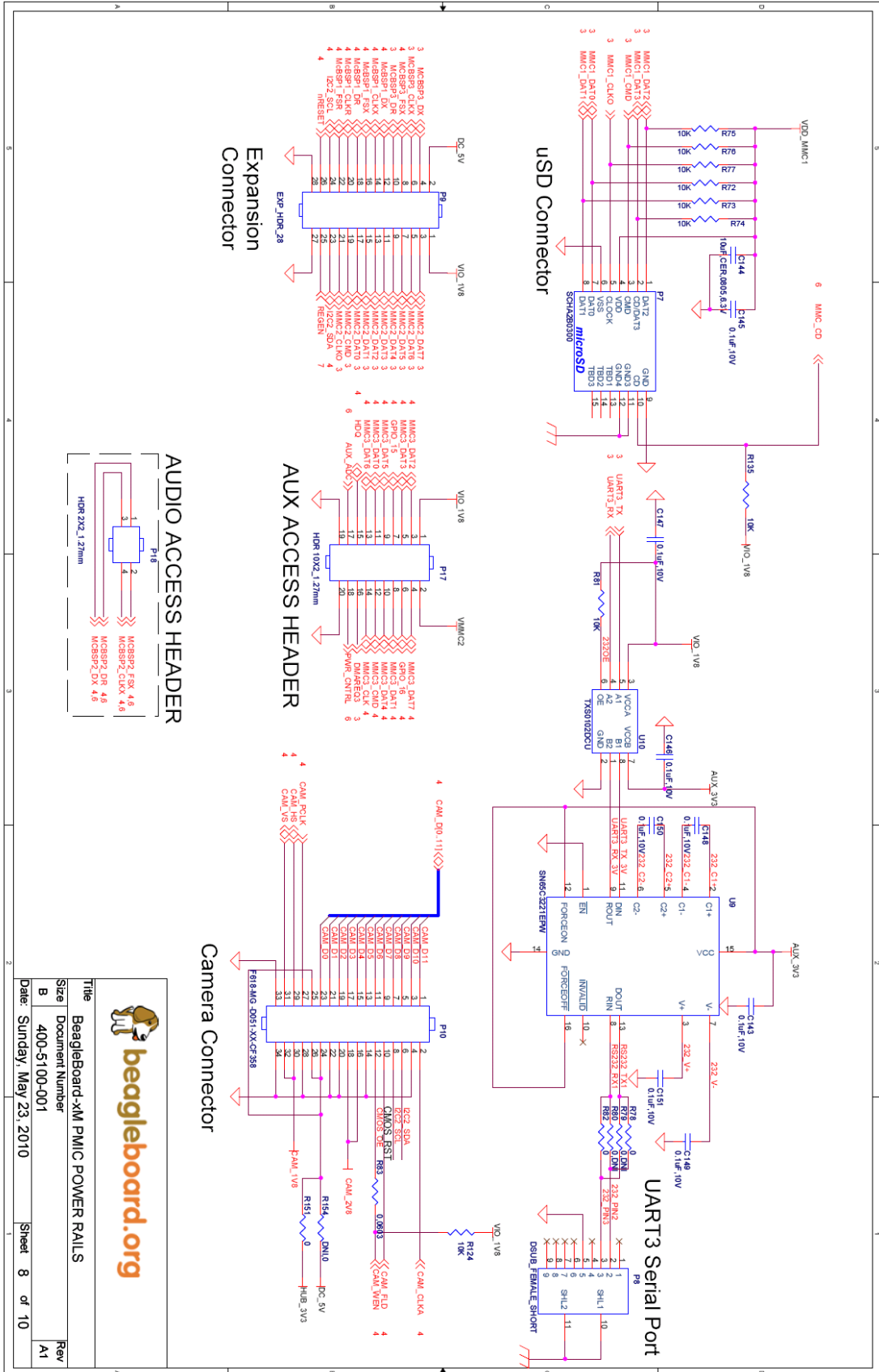




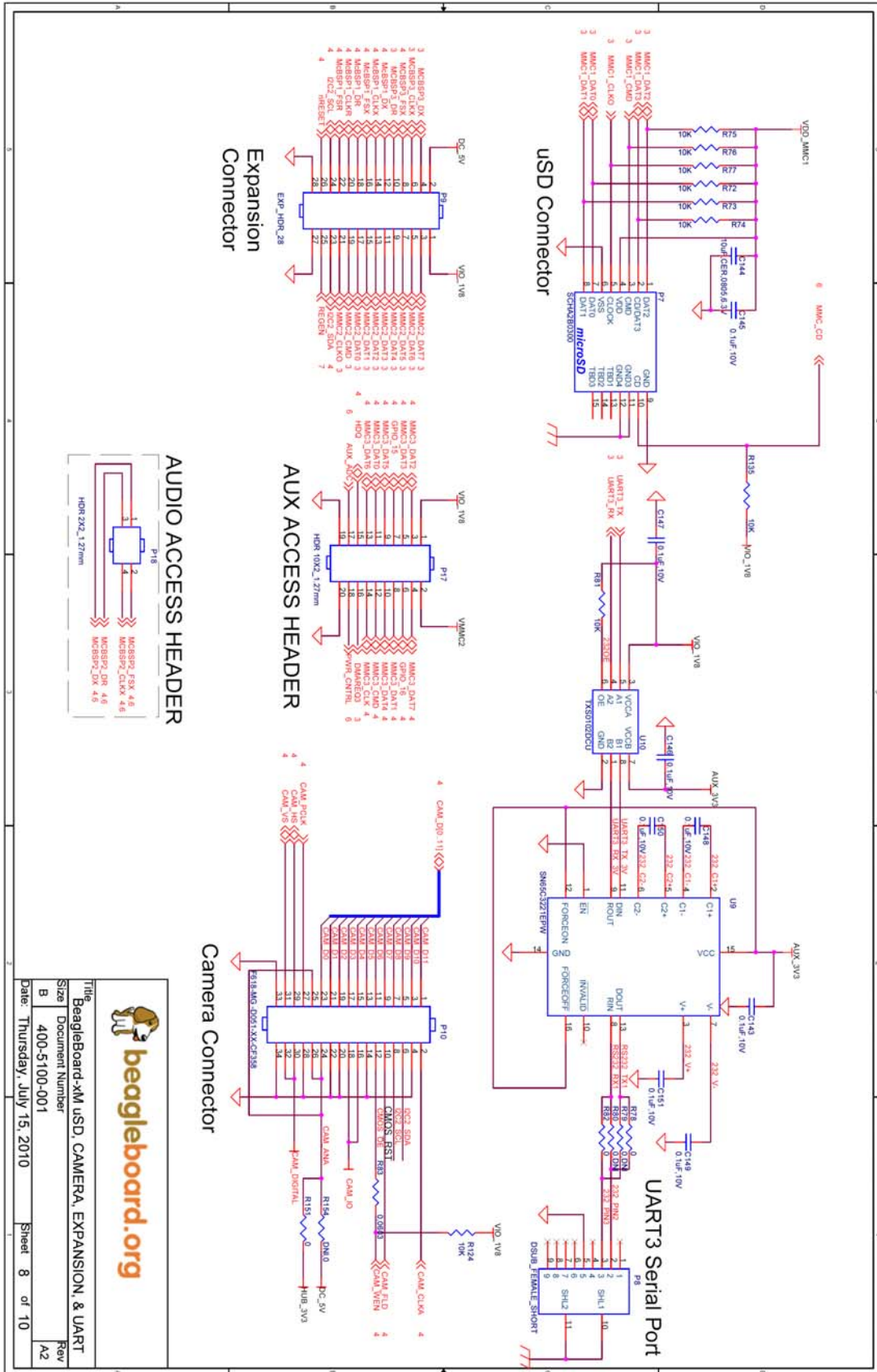


 The BeagleBoard-xM PMIC POWER FAILS

Size: Document Number: C 4005100-001
 Date: Thursday, July 15, 2010
 Sheet: 7 of 10
 Rev: A2

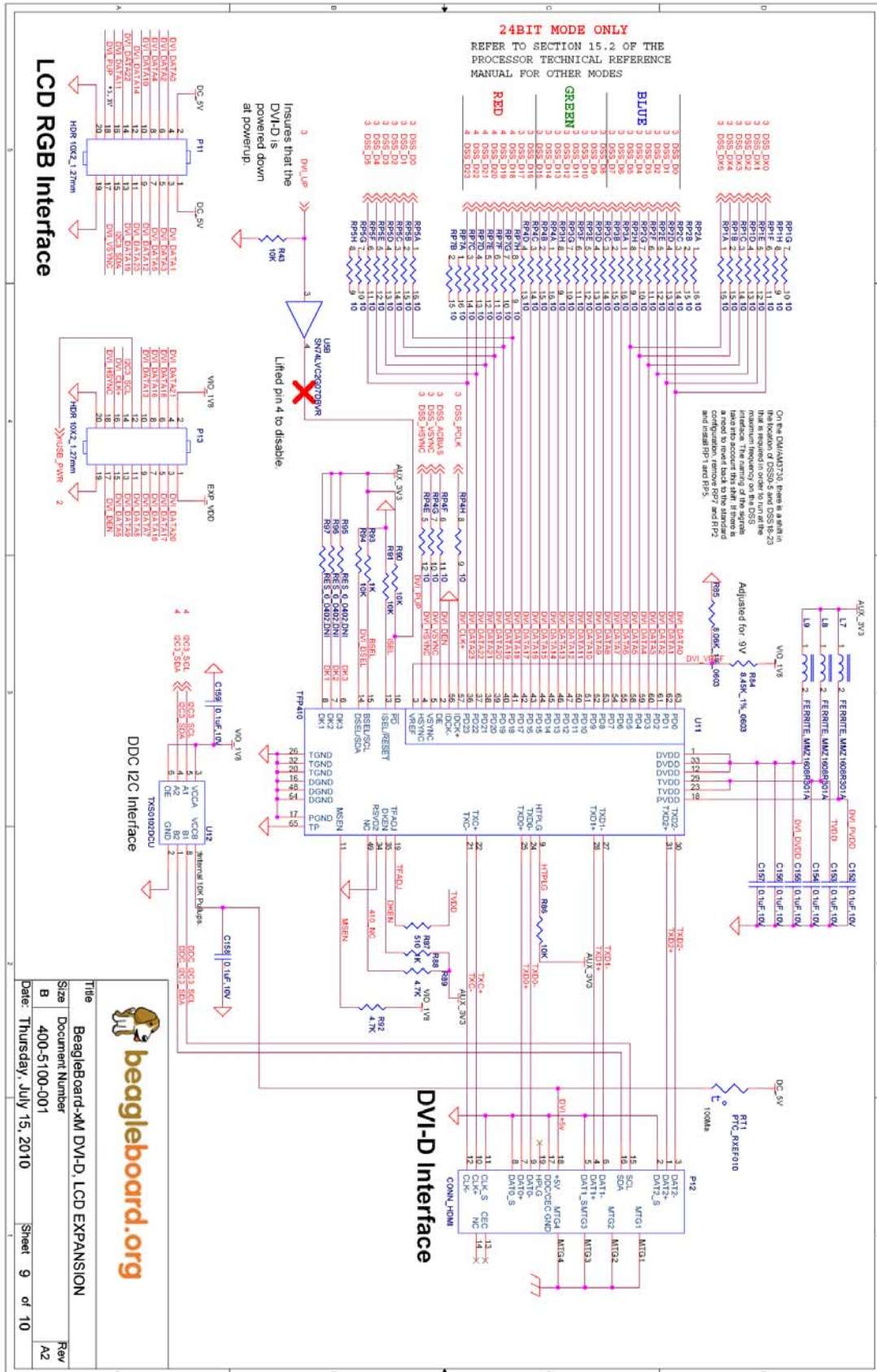


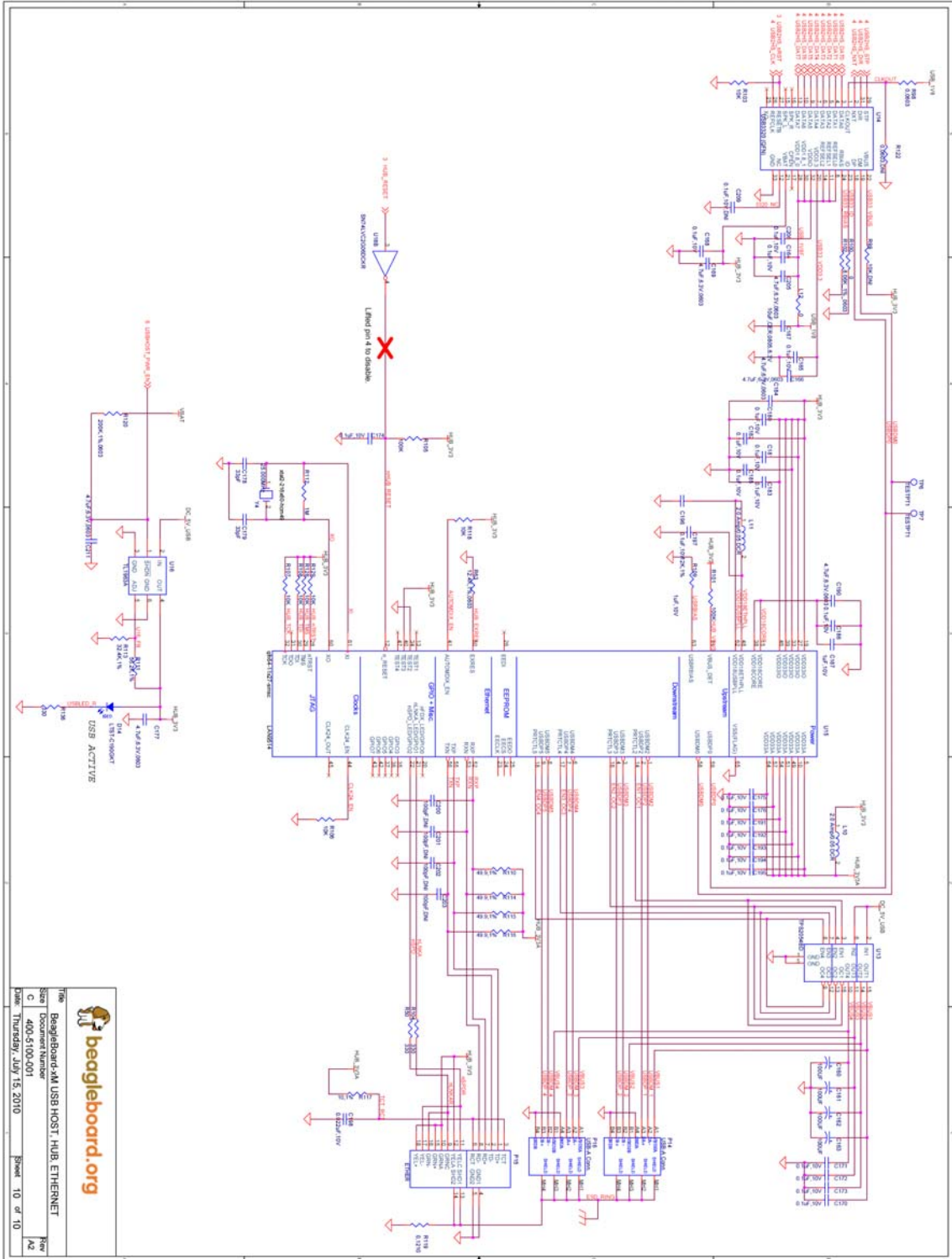
Title	BeagleBoard-xM PMIC POWER RAILS
Size	Document Number
B	400-5100-001
Date	Sunday, May 23, 2010
Sheet	8 of 10
Rev	A1



beagleboard.org

Title		BeagleBoard-xM USD, CAMERA, EXPANSION, & UART	
Size		Document Number	
B		400-5100-001	
Date		Thursday, July 15, 2010	
Sheet		8 of 10	
Rev		A2	





beagleboard.org

BeagleBoard-xM USB HOST HUB, ETHERNET

Size: Document Number 400-5100-001

Date: Thursday, July 15, 2010

Sheet 10 of 10

16.0 Bills of Material

The Bill of Material for the Beagle Board is provided at BeagleBoard.org at the following location:

<http://beagleboard.org/hardware/design>

*These design materials are ***NOT SUPPORTED*** and **DO NOT** constitute a reference design. Only “community” support is allowed via resources at BeagleBoard.org/discuss. THERE IS NO WARRANTY FOR THE DESIGN MATERIALS, TO THE EXTENT PERMITTED BY APPLICABLE LAW. EXCEPT WHEN OTHERWISE STATED IN WRITING THE COPYRIGHT HOLDERS AND/OR OTHER PARTIES PROVIDE THE DESIGN MATERIALS “AS IS” WITHOUT WARRANTY OF ANY KIND, EITHER EXPRESSED OR IMPLIED, INCLUDING, BUT NOT LIMITED TO, THE IMPLIED WARRANTIES OF MERCHANTABILITY AND FITNESS FOR A PARTICULAR PURPOSE. THE ENTIRE RISK AS TO THE QUALITY AND PERFORMANCE OF THE DESIGN MATERIALS IS WITH YOU. SHOULD THE DESIGN MATERIALS PROVE DEFECTIVE, YOU ASSUME THE COST OF ALL NECESSARY SERVICING, REPAIR OR CORRECTION.*

We mean it; these design materials may be totally unsuitable for any purposes.

17.0 PCB Information

The following pages contain the PDF PCB layers for the BeagleBoard. Gerber files and Allegro source files are available on BeagleBoard.org at the following address.

<http://beagleboard.org/hardware/design>

*These design materials are ***NOT SUPPORTED*** and **DO NOT** constitute a reference design. Only “community” support is allowed via resources at BeagleBoard.org/discuss. THERE IS NO WARRANTY FOR THE DESIGN MATERIALS, TO THE EXTENT PERMITTED BY APPLICABLE LAW. EXCEPT WHEN OTHERWISE STATED IN WRITING THE COPYRIGHT HOLDERS AND/OR OTHER PARTIES PROVIDE THE DESIGN MATERIALS “AS IS” WITHOUT WARRANTY OF ANY KIND, EITHER EXPRESSED OR IMPLIED, INCLUDING, BUT NOT LIMITED TO, THE IMPLIED WARRANTIES OF MERCHANTABILITY AND FITNESS FOR A PARTICULAR PURPOSE. THE ENTIRE RISK AS TO THE QUALITY AND PERFORMANCE OF THE DESIGN MATERIALS IS WITH YOU. SHOULD THE DESIGN MATERIALS PROVE DEFECTIVE, YOU ASSUME THE COST OF ALL NECESSARY SERVICING, REPAIR OR CORRECTION.*

We mean it; these design materials may be totally unsuitable for any purposes.